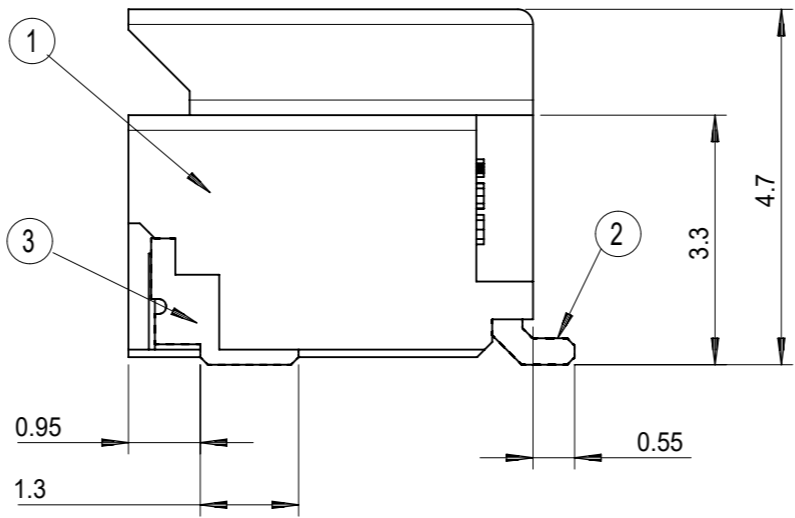
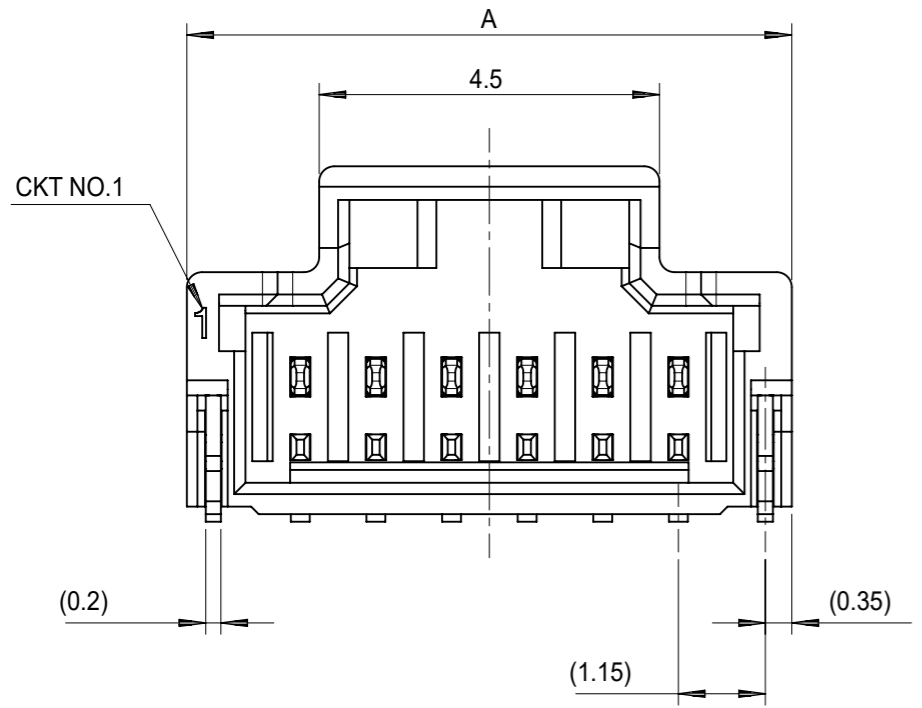


参考パターンレイアウト
RECOMMENDED PATTERN DIM.(REF)
SCALE:5-1



番号 NO.	部品 PART	材質 MATERIAL
①	ウエハー WAFER	耐熱ナイロン、UL94V-0 HEAT RESISTANCE NYLON, UL94V-0
②	ソルダーピン SOLDER PIN	りん青銅 PHOSPHOR BRONZE すずメッキ : 1 MICRO METER MINIMUM. TIN PLATING ニッケル下地メッキ : 1 MICRO METER MINIMUM. NICKEL UNDER PLATING
③	ネイル NAIL	黄銅 BRASS すずメッキ : 1 MICRO METER MINIMUM. TIN PLATING ニッケル下地メッキ : 1 MICRO METER MINIMUM. NICKEL UNDER PLATING

14.0	17.0	15
13.0	16.0	14
12.0	15.0	13
11.0	14.0	12
10.0	13.0	11
9.0	12.0	10
8.0	11.0	9
7.0	10.0	8
6.0	9.0	7
5.0	8.0	6
B	A	極数 CIRCUITS

NOTES

- かん合相手 : 501330 - * * * *
MATE WITH : 501330-****
- ソルダーピン及びネイルの平坦度は0.1MAX.
SOLDER PIN AND NAIL COPLANARITY TO BE 0.1MAX.
- 極数 = 偶数に適用
APPLY FOR CKT SIZE=EVEN
- 2~5極は、SD - 501568 - 001を参照下さい。
REFER TO SD-501568-001 ABOUT 2-5CKT.
- ELV AND RoHS COMPLIANT.

CONNECTOR SERIES No. 501568-***9

THIS DRAWING CONTAINS INFORMATION THAT IS PROPRIETARY TO MOLEX ELECTRONIC TECHNOLOGIES, LLC AND SHOULD NOT BE USED WITHOUT WRITTEN PERMISSION

DIMENSION UNITS	SCALE	CURRENT REV DESC: REVISED	
mm	10:1		
GENERAL TOLERANCES (UNLESS SPECIFIED)			
ANGULAR TOL ± 3.0°			
10 UNDER	±0.2	4 PLACES	±
10 OVER 30 UNDER	±0.25	3 PLACES	±
30 OVER	±0.3	2 PLACES	±
		1 PLACE	±
		0 PLACES	±
DRAFT WHERE APPLICABLE MUST REMAIN WITHIN DIMENSIONS		THIRD ANGLE PROJECTION	DRAWING
			A3-SIZE
		SERIES	501568
		MATERIAL NUMBER	GENERAL MARKET
		CUSTOMER	1 OF 2

EC NO: 692610
DRWN: MIKEDA01 2021/12/24
CHK'D: SAKIYAMA 2022/01/20
APPR: AIDA 2022/01/21

INITIAL REVISION:
DRWN: AMIZUMURA 2005/02/03
APPR: ANODA 2005/02/17

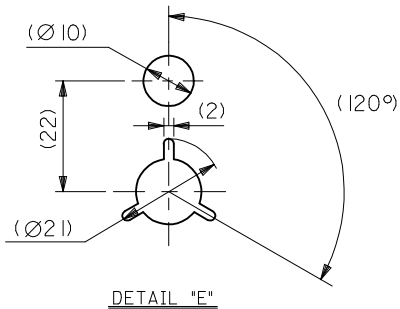
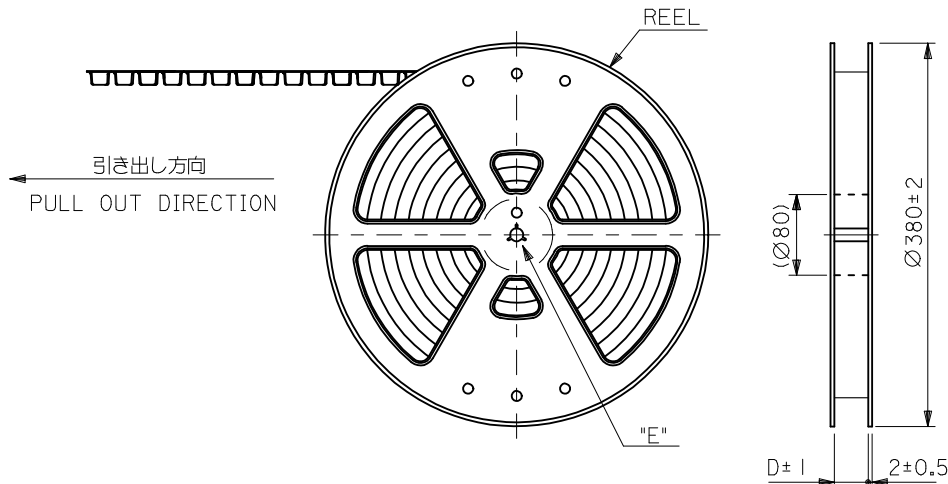
DOCUMENT NUMBER: SD-501568-002
DOC TYPE: PSD
DOC PART: 001
REVISION: F

molex
PICO-CLASP 1.0 WTB CONN.
1-ROW R/A WAFER ASSY 6-15CKT
PRODUCT CUSTOMER DRAWING

F
E
D
C
B
A

紫 PA46 VIOLET	橙 PA46 ORANGE	茶 PA46 BROWN	緑 PA46 GREEN	色 COLOR
501568-1597	501568-1587	501568-1577	501568-1567	15
501568-1497	501568-1487	501568-1477	501568-1467	14
501568-1397	501568-1387	501568-1377	501568-1367	13
501568-1297	501568-1287	501568-1277	501568-1267	12
501568-1197	501568-1187	501568-1177	501568-1167	11
501568-1097	501568-1087	501568-1077	501568-1067	10
501568-0997	501568-0987	501568-0977	501568-0967	9
501568-0897	501568-0887	501568-0877	501568-0867	8
501568-0797	501568-0787	501568-0777	501568-0767	7
501568-0697	501568-0687	501568-0677	501568-0667	6
EMBOSSSED PACKAGE	EMBOSSSED PACKAGE	EMBOSSSED PACKAGE	EMBOSSSED PACKAGE	極数
オーダー番号 ORDER NO.	オーダー番号 ORDER NO.	オーダー番号 ORDER NO.	オーダー番号 ORDER NO.	CIRCUITS
CONNECTOR SERIES NO. 501568-***9				
青 PA46 BLUE	黄 PA46 YELLOW	赤 PA46 RED	黒 PA46 BLACK	色 COLOR
501568-1547	501568-1537	501568-1527	501568-1517	15
501568-1447	501568-1437	501568-1427	501568-1417	14
501568-1347	501568-1337	501568-1327	501568-1317	13
501568-1247	501568-1237	501568-1227	501568-1217	12
501568-1147	501568-1137	501568-1127	501568-1117	11
501568-1047	501568-1037	501568-1027	501568-1017	10
501568-0947	501568-0937	501568-0927	501568-0917	9
501568-0847	501568-0837	501568-0827	501568-0817	8
501568-0747	501568-0737	501568-0727	501568-0717	7
501568-0647	501568-0637	501568-0627	501568-0617	6
EMBOSSSED PACKAGE	EMBOSSSED PACKAGE	EMBOSSSED PACKAGE	EMBOSSSED PACKAGE	極数
オーダー番号 ORDER NO.	オーダー番号 ORDER NO.	オーダー番号 ORDER NO.	オーダー番号 ORDER NO.	CIRCUITS
CONNECTOR SERIES NO. 501568-***9				

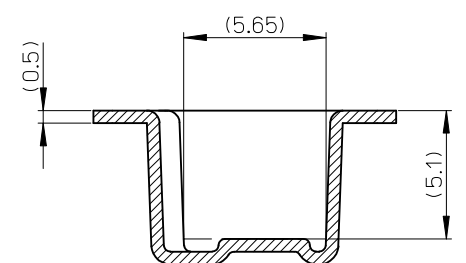
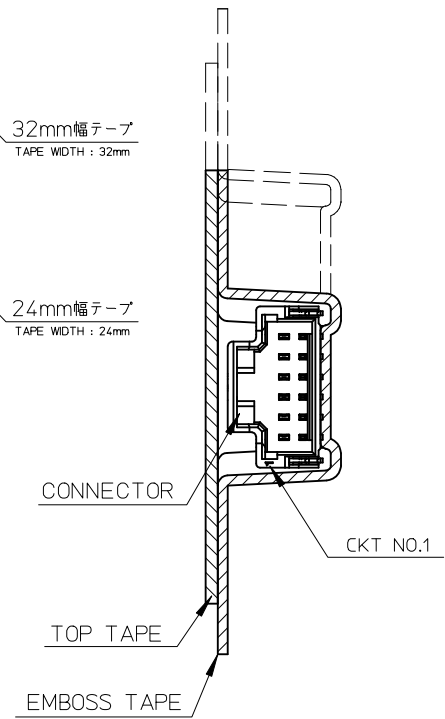
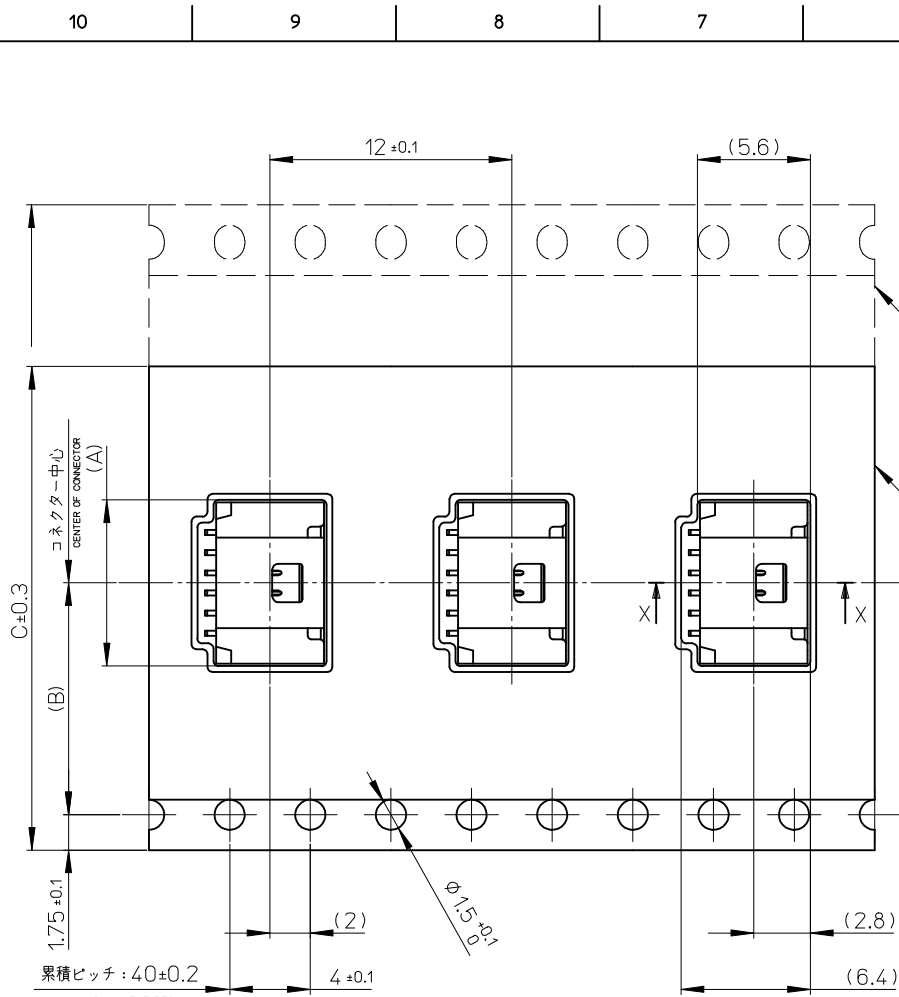
THIS DRAWING CONTAINS INFORMATION THAT IS PROPRIETARY TO MOLEX ELECTRONIC TECHNOLOGIES, LLC AND SHOULD NOT BE USED WITHOUT WRITTEN PERMISSION									
DIMENSION UNITS	SCALE	CURRENT REV DESC: REVISED			molex				
mm	1:1								
GENERAL TOLERANCES (UNLESS SPECIFIED)		EC NO: 692610			PICO-CLASP 1.0 WTB CONN. 1-ROW R/A WAFER ASSY 6-15CKT				
ANGULAR TOL ± 3.0°		DRWN: MIKEDA01 2021/12/24							
4 PLACES	±	CHK'D: SAKIYAMA 2022/01/20			PRODUCT CUSTOMER DRAWING				
3 PLACES	±	APPR: AIDA 2022/01/21							
2 PLACES	±	INITIAL REVISION:			DOCUMENT NUMBER		DOC TYPE	DOC PART	REVISION
1 PLACE	±	DRWN: AMIZUMURA 2005/02/03			SD-501568-002		PSD	001	F
0 PLACES	±	APPR: ANODA 2005/02/17							
DRAFT WHERE APPLICABLE MUST REMAIN WITHIN DIMENSIONS		THIRD ANGLE PROJECTION	DRAWING	SERIES	MATERIAL NUMBER	CUSTOMER		SHEET NUMBER	
			A3-SIZE	501568		GENERAL MARKET		2 OF 2	



NOTES

- 製品詳細寸法は製品単体図面を参照して下さい。
FOR DETAIL OF CONNECTOR DIMENSIONS, PLEASE SEE THE DRAWING OF CONNECTOR ITSELF (NOT PACKAGED).
- 梱包数量：1300個/リール
NUMBER OF CONNECTORS：1300PIECES/REEL
- リードテープ長さ
LEAD TAPE LENGTH
- 材料
MATERIAL
キャリアテープ：ポリプロピレン
CARRIER TAPE: POLYPROPYLENE
トップテープ：PET, PE, REF
TOP TAPE
リール：ポリスチレン <リサイクル材を含む>
REEL: POLYSTYRENE <RECYCLE MATERIAL CONTAINED>
- ELV AND RoHS COMPLIANT.
- ハイバリア梱包(シリカゲル入り)対応品である。(501568-**07除く)
THIS PRODUCT IS HIGH BARRIER PACKAGE.(WITH SILICAGEL)
(BESIDES 501568-**07)
- 開梱後の保管条件に注意のこと。(ハイバリア品対象:PS-501568-001参照)
REFER TO PS-501568-001(HIGH BARRIER PRODUCT)
FOR CONDITIONS AFTER OPEN.

REVISED EC NO: J2010-0339 DRWN: TNAKAWA01 2009/09/01 CHKD: HMATSUMOTO 2009/09/01 APPR: HHIRATA 2009/09/01	GENERAL TOLERANCES (UNLESS SPECIFIED)		DIMENSION STYLE MM ONLY		SCALE ---	DESIGN UNITS METRIC	THIRD ANGLE PROJECTION	
	10 UNDER	±0.2	DRAWN BY AMIZUMURA	DATE 2005/11/26	TITLE 1.0 WIRE TO BOARD CONN. WAFER ASS'Y (1-ROW R/A) EMBTB PKG			
	10 OVER 30 UNDER	±0.25	CHECKED BY MYAGI	DATE 2005/11/26	MOLEX INCORPORATED			
	30 OVER	±0.3	APPROVED BY ANODA	DATE 2005/11/26	DOCUMENT NO. SD-501568-006		SHEET NO. 1 OF 3	
	ANGULAR ±1 °		MATERIAL NO. SEE SHEET 3		THIS DRAWING CONTAINS INFORMATION THAT IS PROPRIETARY TO MOLEX INCORPORATED AND SHOULD NOT BE USED WITHOUT WRITTEN PERMISSION			
DRAFT WHERE APPLICABLE MUST REMAIN WITHIN DIMENSIONS								



引き出し方向
PULL OUT DIRECTION

33.5	32	14.2	17.3	15
			16.3	14
			15.3	13
			14.3	12
			13.3	11
			12.3	10
25.5	24	11.5	11.3	9
			10.3	8
			9.3	7
			8.3	6
D	C	(B)	(A)	極数 CIRCUITS

CONNECTOR SERIES No. 501568-***9

REVISED EC NO: J2010-0339 DRWN: TNAGAWA01 2009/09/01 CHKD: MATSUMOTO 2009/09/01 APPR: HIRATA 2009/09/01	GENERAL TOLERANCES (UNLESS SPECIFIED)		DIMENSION STYLE MM ONLY		SCALE ---	DESIGN UNITS METRIC	THIRD ANGLE PROJECTION	
	10 UNDER	±0.2	DRAWN BY AMIZUMURA	DATE 2005/1/26	TITLE 1.0 WIRE TO BOARD CONN. WAFER ASS'Y (1-ROW R/A) EMBTB PKG			
	10 OVER 30 UNDER	±0.25	CHECKED BY MYAGI	DATE 2005/1/26	MOLEX INCORPORATED			
	30 OVER	±0.3	APPROVED BY ANODA	DATE 2005/1/26	DOCUMENT NO. SD-501568-006			
	ANGULAR ±3 °		MATERIAL NO. SEE SHEET 3		SHEET NO. 2 OF 3			
DRAFT WHERE APPLICABLE MUST REMAIN WITHIN DIMENSIONS		THIS DRAWING CONTAINS INFORMATION THAT IS PROPRIETARY TO MOLEX INCORPORATED AND SHOULD NOT BE USED WITHOUT WRITTEN PERMISSION						

紫 VIOLET	橙 ORANGE	茶 BROWN	緑 GREEN	色 COLOR
501568-1597	501568-1587	501568-1577	501568-1567	15
501568-1497	501568-1487	501568-1477	501568-1467	14
501568-1397	501568-1387	501568-1377	501568-1367	13
501568-1297	501568-1287	501568-1277	501568-1267	12
501568-1197	501568-1187	501568-1177	501568-1167	11
501568-1097	501568-1087	501568-1077	501568-1067	10
501568-0997	501568-0987	501568-0977	501568-0967	9
501568-0897	501568-0887	501568-0877	501568-0867	8
501568-0797	501568-0787	501568-0777	501568-0767	7
501568-0697	501568-0687	501568-0677	501568-0667	6
EMBOSSSED PACKAGE	EMBOSSSED PACKAGE	EMBOSSSED PACKAGE	EMBOSSSED PACKAGE	極数
オーダー番号 ORDER NO.	オーダー番号 ORDER NO.	オーダー番号 ORDER NO.	オーダー番号 ORDER NO.	CIRCUITIS

CONNECTOR SERIES No. 501568-***9

青 BLUE	黄 YELLOW	赤 RED	黒 BLACK	自然色 NATURAL	色 COLOR
501568-1547	501568-1537	501568-1527		501568-1507	15
501568-1447	501568-1437	501568-1427		501568-1407	14
501568-1347	501568-1337	501568-1327		501568-1307	13
501568-1247	501568-1237	501568-1227		501568-1207	12
501568-1147	501568-1137	501568-1127		501568-1107	11
501568-1047	501568-1037	501568-1027		501568-1007	10
501568-0947	501568-0937	501568-0927	501568-0917	501568-0907	9
501568-0847	501568-0837	501568-0827	501568-0817	501568-0807	8
501568-0747	501568-0737	501568-0727		501568-0707	7
501568-0647	501568-0637	501568-0627	501568-0617	501568-0607	6
EMBOSSSED PACKAGE	EMBOSSSED PACKAGE	EMBOSSSED PACKAGE	EMBOSSSED PACKAGE	EMBOSSSED PACKAGE	極数
オーダー番号 ORDER NO.	オーダー番号 ORDER NO.	オーダー番号 ORDER NO.	オーダー番号 ORDER NO.	オーダー番号 ORDER NO.	CIRCUITIS

CONNECTOR SERIES No. 501568-***9

REVISED EC NO: J2010-0339 DRWN: TNAGAWA01 2009/09/01 CHKD: HMATSUMOTO 2009/09/01 APPR: HHIRATA 2009/09/01	DESCRIPTION REV	GENERAL TOLERANCES (UNLESS SPECIFIED)	DIMENSION STYLE MM ONLY	SCALE ---	DESIGN UNITS METRIC	THIRD ANGLE PROJECTION	
		10 UNDER ± ---	DRAWN BY AMIZUMURA	DATE 2005/1/26	TITLE 1.0 WIRE TO BOARD CONN. WAFER ASS'Y (1-ROW R/A) EMBTP PKG		
		10 OVER 30 UNDER ± ---	CHECKED BY MYAGI	DATE 2005/1/26	MOLEX INCORPORATED		
		30 OVER ± ---	APPROVED BY ANODA	DATE 2005/1/26	MATERIAL NO. SEE TABLE	DOCUMENT NO. SD-501568-006	SHEET NO. 3 OF 3
ANGULAR ± --- °		THIS DRAWING CONTAINS INFORMATION THAT IS PROPRIETARY TO MOLEX INCORPORATED AND SHOULD NOT BE USED WITHOUT WRITTEN PERMISSION					
DRAFT WHERE APPLICABLE MUST REMAIN WITHIN DIMENSIONS							