

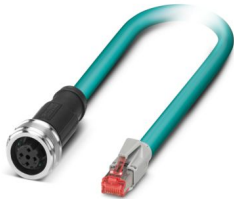
NBC-P12FSD/ 5,0-93E/R4AC - Network cable



1476031

<https://www.phoenixcontact.com/us/products/1476031>

Please be informed that the data shown in this PDF document is generated from our online catalog. Please find the complete data in the user documentation. Our general terms of use for downloads are valid.



Network cable, Ethernet CAT5 (100 Mbps), 4-position, PUR halogen-free, water blue RAL 5021, shielded (Advanced Shielding Technology), Socket straight M12 Push Pull, coding: D / IP67, on Plug straight RJ45 / IP20, cable length: 5 m

Commercial data

| | |
|--------------------------------------|---------------|
| Item number | 1476031 |
| Packing unit | 1 pc |
| Minimum order quantity | 1 pc |
| Sales key | BF04 |
| Product key | BF1CJJ |
| GTIN | 4063151884536 |
| Weight per piece (including packing) | 234.5 g |
| Weight per piece (excluding packing) | 22.22 g |
| Customs tariff number | 85444290 |
| Country of origin | PL |

1476031

<https://www.phoenixcontact.com/us/products/1476031>

Technical data

Product properties

| | |
|---------------------|-------------------------|
| Product type | Data cable preassembled |
| Application | Standard |
| Sensor type | Ethernet |
| Number of positions | 4 |
| Shielded | yes |

Data management status

| | |
|------------------|----|
| Article revision | 00 |
|------------------|----|

Interfaces

| | |
|----------------------|-------------------------------------|
| Bus system | Ethernet |
| Signal type/category | Ethernet CAT5 (IEC 11801), 100 Mbps |

Signaling

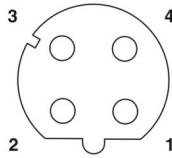
| | |
|------------------------|----|
| Status display | no |
| Status display present | No |

Electrical properties

| | |
|---|-----------------------|
| Nominal voltage U_N | 48 V AC |
| | 60 V DC |
| Nominal current I_N | 1 A |
| Transmission medium | Copper |
| Transmission characteristics (category) | CAT5 (IEC 11801:2002) |

Connector

Connection 1

| | |
|-----------------------------|---|
| Dimensional drawing |  <p>Pin assignment M12 socket, 4-pos., D-coded, female side</p> |
| Type | M12 Socket, straight, 4-position, shielded (Advanced Shielding Technology), Push Pull, Keying: D |
| Number of positions | 4 |
| Shielded | yes |
| Shielding | Advanced Shielding Technology |
| Signal type/category | Ethernet CAT5 (IEC 11801), 100 Mbps |
| Insertion/withdrawal cycles | ≥ 100 |
| Insulation resistance | ≥ 100 MΩ |

NBC-P12FSD/ 5,0-93E/R4AC - Network cable

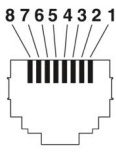


1476031

<https://www.phoenixcontact.com/us/products/1476031>

| | |
|--|---|
| Overvoltage category | II |
| Degree of pollution | 3 |
| Material Contact | CuSn |
| Material Contact surface | Ni/Au |
| Material Contact carrier | PA 6.6 |
| Material Grip body | TPU, hardly inflammable, self-extinguishing |
| Material Seal | FKM |
| Flammability rating according to UL 94 | V0 |
| Degree of protection | IP65 IP67 |
| Ambient temperature (operation) | -25 °C ... 85 °C |
| Standard designation | M12 connector |
| Standards/regulations | IEC 61076-2-010 |

Connection 2

| | |
|--|---|
| Dimensional drawing |  <p>Connector pin assignment plug RJ45</p> |
| Type | RJ45 Plug, straight |
| Signal type/category | Ethernet CAT5 (IEC 11801), 100 Mbps |
| Insertion/withdrawal cycles | ≥ 750 |
| Insulation resistance | ≥ 100 MΩ |
| Overvoltage category | I |
| Degree of pollution | 2 |
| Material Contact | CuSn |
| Material Contact surface | Ni/Au |
| Material Contact carrier | PC |
| Material Housing | PA |
| Flammability rating according to UL 94 | V2 |
| Degree of protection | IP20 |
| Ambient temperature (operation) | -25 °C ... 60 °C |

Cable/line

| | |
|--------------|-----|
| Cable length | 5 m |
|--------------|-----|


Ethernet flexible CAT5, 2-pair [93E]

NBC-P12FSD/ 5,0-93E/R4AC - Network cable



1476031

<https://www.phoenixcontact.com/us/products/1476031>

| | |
|---|--|
| Dimensional drawing |  |
| Cable weight | 42 kg/km |
| UL AWM Style | 20963 (80°C/30 V) |
| Wiring standards/regulations | Electrical requirements EN 50288-2-2 |
| Number of positions | 4 |
| Shielded | yes |
| Cable type | Ethernet flexible CAT5, 2-pair [93E] |
| Conductor structure | 2x2xAWG26/7, SF/UTP |
| Signal runtime | 5.3 ns/m |
| Conductor structure signal line | 7x 0.16 mm |
| AWG signal line | 26 |
| Conductor cross section | 2x 2x 0.14 mm ² |
| Wire diameter incl. insulation | 0.98 mm |
| External cable diameter | 6.40 mm ±0.2 mm |
| Outer sheath, material | PUR |
| External sheath, color | water blue RAL 5021 |
| Conductor material | Bare Cu litz wires |
| Material wire insulation | Foamed PE |
| Single wire, color | white/orange-orange, white/green-green |
| Thickness, outer sheath | 1.20 mm |
| Twisted pairs | 2 cores to the pair |
| Overall twist | Two pairs with two fillers to the core |
| Optical shield covering | 70 % |
| Insulation resistance | ≥ 500 MΩ*km |
| Coupling resistance | ≤ 100.00 mΩ/m (at 10 MHz) |
| Loop resistance | ≤ 290.00 Ω/km |
| Wave impedance | 100 Ω ±5 Ω (at 100 MHz) |
| Cable capacity | approx. 45 nF/km (at 1 kHz) |
| Nominal voltage, cable | ≤ 100 V (Peak value, not for high-power applications) |
| Test voltage Core/Core | 700 V (50 Hz, 1 min.) |
| Test voltage Core/Shield | 700.00 V (50 Hz, 1 min.) |
| Current carrying capacity of cable | 2.00 A (according to DIN VDE 0891-1) |
| Minimum bending radius, fixed installation | 4 x D |
| Minimum bending radius, flexible installation | 8 x D |
| Smallest bending radius, fixed installation | 26 mm |
| Smallest bending radius, movable installation | 52 mm |
| Tensile strength | ≤ 80 N |

NBC-P12FSD/ 5,0-93E/R4AC - Network cable



1476031

<https://www.phoenixcontact.com/us/products/1476031>

| | |
|--|---|
| Near end crosstalk attenuation (NEXT) | 65.3 dB (with 1 MHz) |
| | 56.3 dB (at 4 MHz) |
| | 50.3 dB (at 10 MHz) |
| | 47.2 dB (at 16 MHz) |
| | 45.8 dB (at 20 MHz) |
| | 42.9 dB (at 31.25 MHz) |
| | 38.4 dB (at 62.5 MHz) |
| | 35.3 dB (at 100 MHz) |
| Power-summated near end crosstalk attenuation (PSNEXT) | 62.3 dB (with 1 MHz) |
| | 53.3 dB (at 4 MHz) |
| | 47.3 dB (at 10 MHz) |
| | 44.2 dB (at 16 MHz) |
| | 42.8 dB (at 20 MHz) |
| | 39.9 dB (at 31.25 MHz) |
| | 35.4 dB (at 62.5 MHz) |
| | 32.3 dB (at 100 MHz) |
| Return attenuation (RL) | 23 dB (at 4 MHz) |
| | 24.1 dB (at 8 MHz) |
| | 25 dB (at 10 MHz) |
| | 25 dB (at 16 MHz) |
| | 25 dB (at 20 MHz) |
| | 23.6 dB (at 31.25 MHz) |
| | 21.5 dB (at 62.5 MHz) |
| | 20.1 dB (at 100 MHz) |
| Shield attenuation | 3.2 dB (with 1 MHz) |
| | 6 dB (at 4 MHz) |
| | 9.5 dB (at 10 MHz) |
| | 12.1 dB (at 16 MHz) |
| | 13.6 dB (at 20 MHz) |
| | 17.1 dB (at 31.25 MHz) |
| | 24.8 dB (at 62.5 MHz) |
| | 32 dB (at 100 MHz) |
| Halogen-free | according to IEC 60754-1 |
| Flame resistance | according to IEC 60332-1-2 |
| | in acc. to UL VW1 |
| | in accordance with UN ECE-R 118.03 |
| Resistance to oil | in accordance with EN 60811-2-1 |
| Ambient temperature (operation) | -40 °C ... 80 °C (cable, fixed installation) |
| | -20 °C ... 80 °C (Cable, flexible installation) |
| Ambient temperature (installation) | -20 °C ... 80 °C |

NBC-P12FSD/ 5,0-93E/R4AC - Network cable

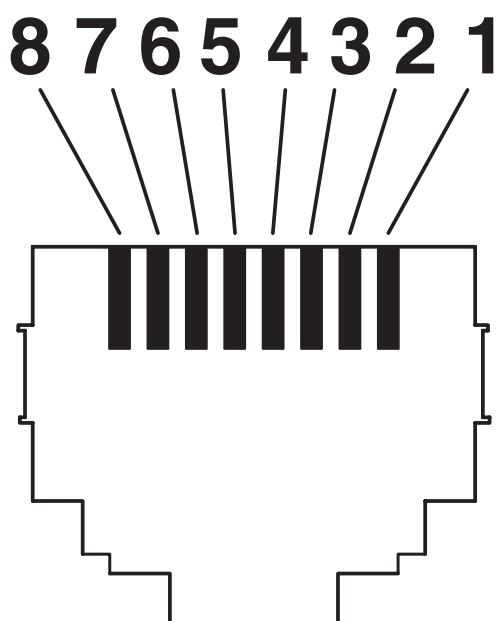
1476031

<https://www.phoenixcontact.com/us/products/1476031>



Drawings

Schematic diagram



Connector pin assignment plug RJ45

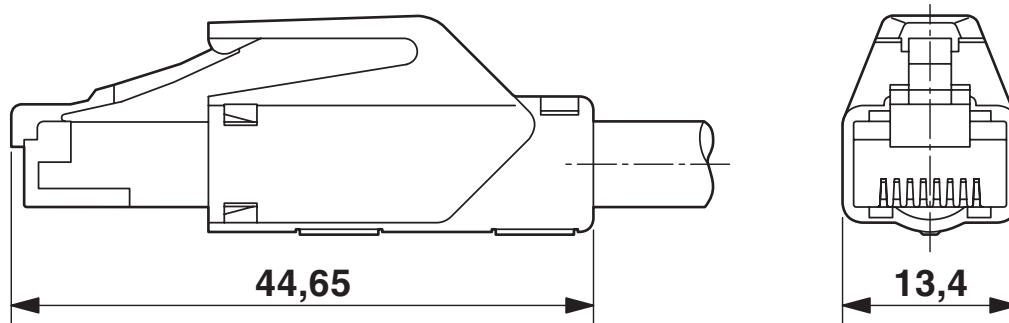
NBC-P12FSD/ 5,0-93E/R4AC - Network cable



1476031

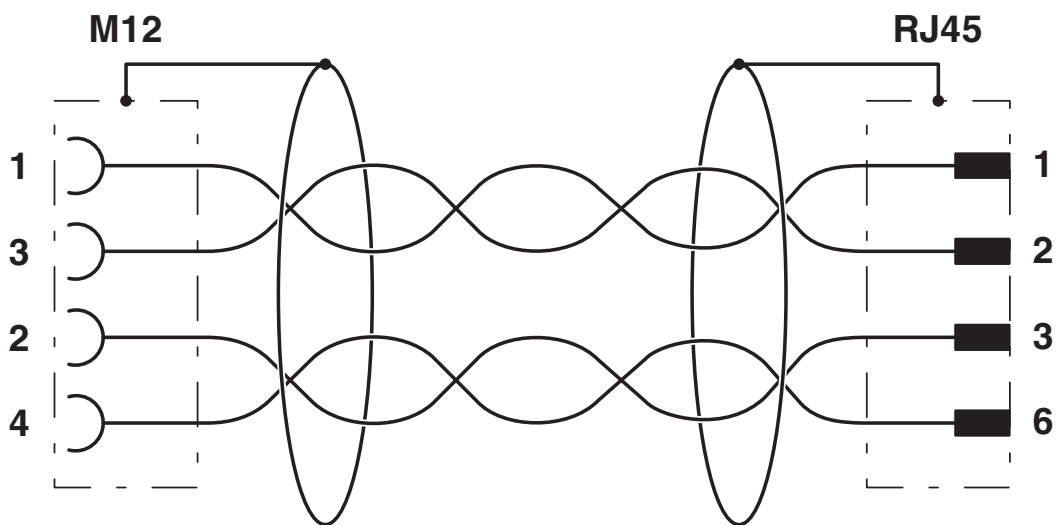
<https://www.phoenixcontact.com/us/products/1476031>

Dimensional drawing



RJ45 connector, IP20

Circuit diagram

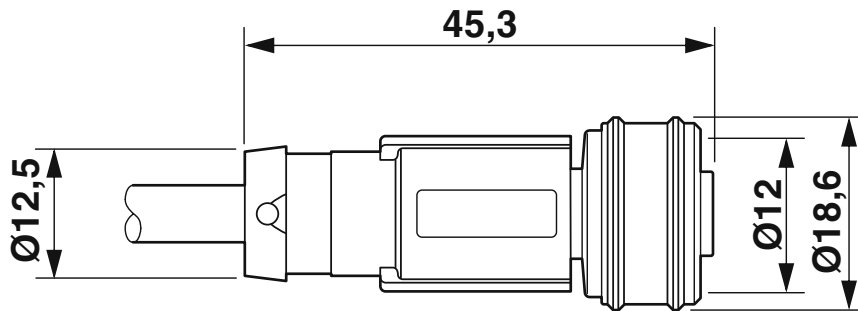


NBC-P12FSD/ 5,0-93E/R4AC - Network cable

1476031

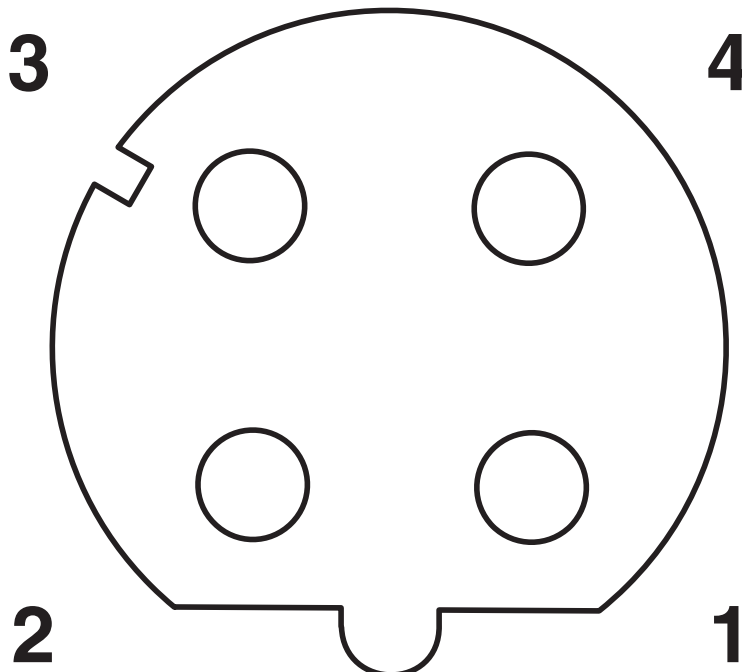
<https://www.phoenixcontact.com/us/products/1476031>

Dimensional drawing



M12 push-pull female connector, straight

Schematic diagram



Pin assignment M12 socket, 4-pos., D-coded, female side

NBC-P12FSD/ 5,0-93E/R4AC - Network cable



1476031

<https://www.phoenixcontact.com/us/products/1476031>

Classifications

ECLASS

| | |
|-------------|----------|
| ECLASS-11.0 | 27060307 |
| ECLASS-12.0 | 27060307 |
| ECLASS-13.0 | 27060307 |

ETIM

| | |
|----------|----------|
| ETIM 9.0 | EC001855 |
|----------|----------|

NBC-P12FSD/ 5,0-93E/R4AC - Network cable



1476031

<https://www.phoenixcontact.com/us/products/1476031>

Environmental product compliance

EU RoHS

| | |
|---|--------------------|
| Fulfills EU RoHS substance requirements | Yes, No exemptions |
|---|--------------------|

China RoHS

| | |
|--|--|
| Environment friendly use period (EFUP) | EFUP-E |
| | No hazardous substances above the limits |

EU REACH SVHC

| | |
|-------------------------------------|----------------------------|
| REACH candidate substance (CAS No.) | No substance above 0.1 wt% |
|-------------------------------------|----------------------------|

Phoenix Contact 2024 © - all rights reserved
<https://www.phoenixcontact.com>

Phoenix Contact USA
586 Fulling Mill Road
Middletown, PA 17057, United States
(+717) 944-1300
info@phoenixcon.com