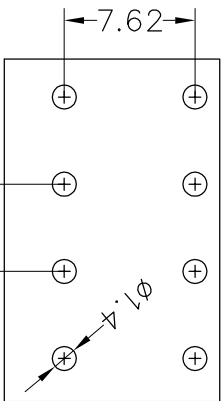


## SPECIFICATIONS

Rated (额定参数): 300V, 10A  
 Dielectric strength (抗电强度): AC1500V/1 Minute  
 Insulation Resistance (绝缘电阻): 1000MΩ Min  
 Contact Resistance (接触电阻): 20mΩ Max  
 Wire Range (线径): 14~22AWG  
 Strip length (剥线长度): 10mm  
 Temp. range (操作温度): -40°C~+105°C  
 MAX Soldering (瞬时温度): +260°C, 5s

Housing Material (塑件): PA66 (UL94 V-0)  
 Contact (端子): Brass, Tin plating (黄铜镀锡)  
 Reed (弹片): Stainless steel (不锈钢)



Recommended P.C.B Layout

## Ordering Information

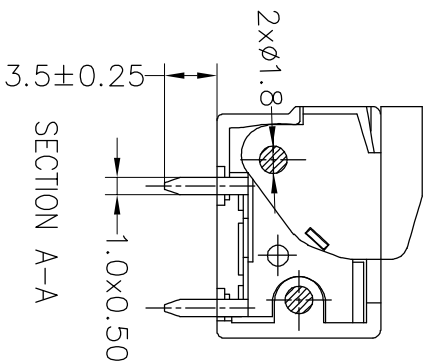
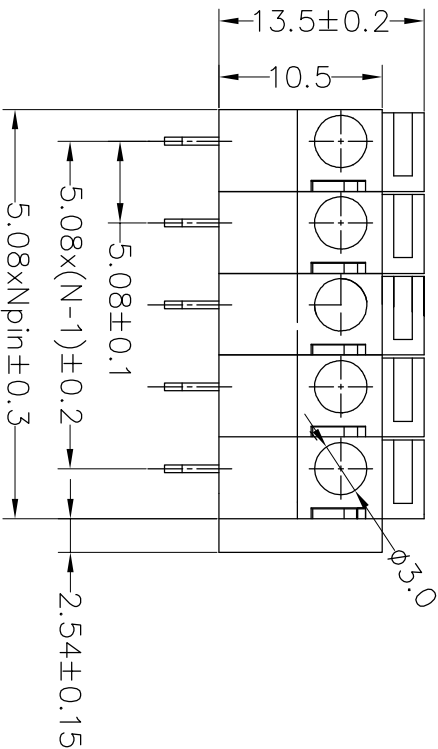
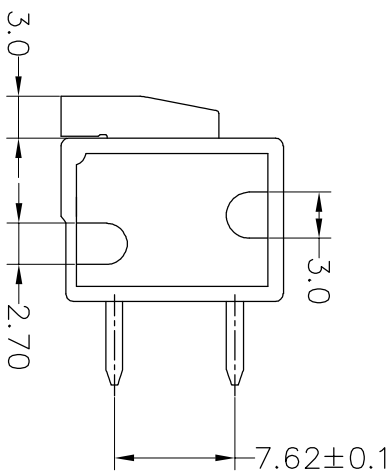
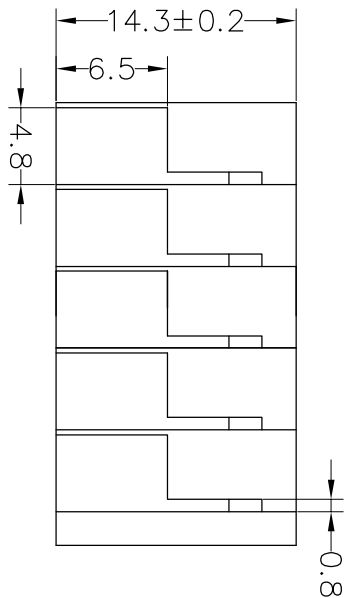
JL 142R - 508 XX X X 1

Pitch  
 508=5.08PH  
 750=7.5PH  
 762=7.62PH

No. of pins  
 2P~30P

Housing Color  
 B=Black  
 G=Green  
 U=Blue  
 R=Red  
 W=White  
 Y=Yellow  
 O=Orange  
 E=Grey

Packing  
 0=Pe  
 bog  
 T=Tube  
 A=Tray



REV	DATE	MODIFICATION DESCRIPTION	CHANGE
A0	2018.12.17	NEW DRAWING	
1			

OPERATION	SCALE	FIT
X.X	±0.30	
X.XX	±0.20	CHECK
X.XXX	±0.10	APPROVE
Angle	±3°	
DIM	TOL	

OPERATION	DRAW	yiyusheng	18.12.17
SCALE	UNIT	mm	
FIT	SIZE	A4	
SHEET	SHEET	1/1	
PROU.	TITLE:	PART NO. JL142R-508XXXXX1	
		5.08mm SCREWLESS Terminal Blocks	

**JILIN** 深圳市锦凌电子有限公司  
 SHENZHEN JINLING ELECTRONIC CO.,LTD  
 Tel: 86-755-2997-5806/5802 Fax: 86-755-2997-5992