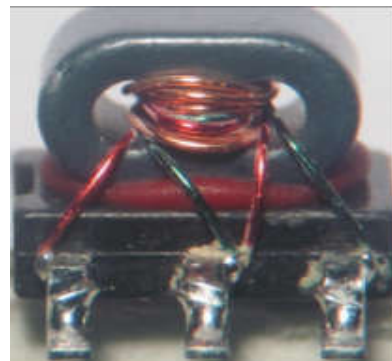


RF Balun Transformer, 2 : 1 Flux Coupled Transformer

Features:

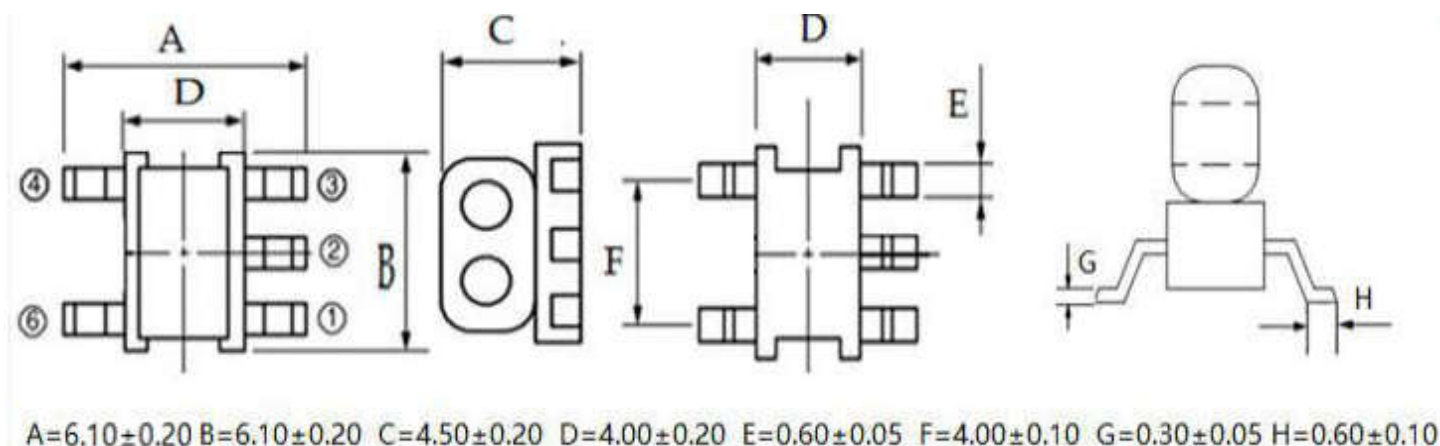
- ◆ Equivalent to: TOKO #B5F-458PT-2002
- ◆ 75 Ω Characteristic Impedance
- ◆ Frequency: 5 to 100 MHz
- ◆ RF power: 250mW
- ◆ DC current: 450mA
- ◆ Operating temperature range: -40°C to +85°C
- ◆ Storage temperature range: -55°C to +100°C



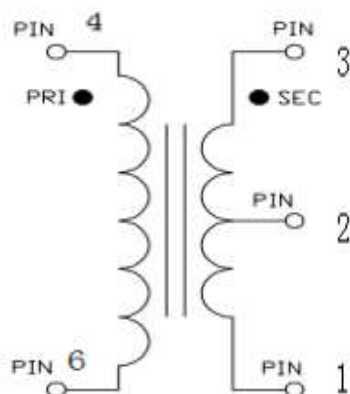
Applications:

- ◆ For broadband and wireless communications
- ◆ For VHF/UHF receivers/transmitters and push-pull amplifiers

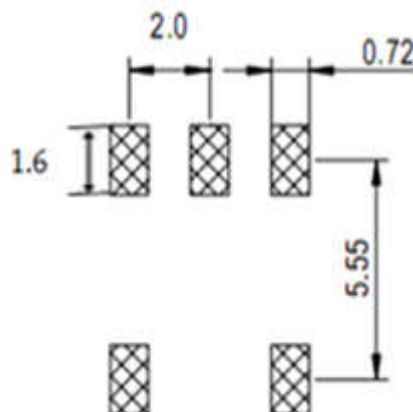
Dimension Diagram (Unit:mm) :



Electrical structure:

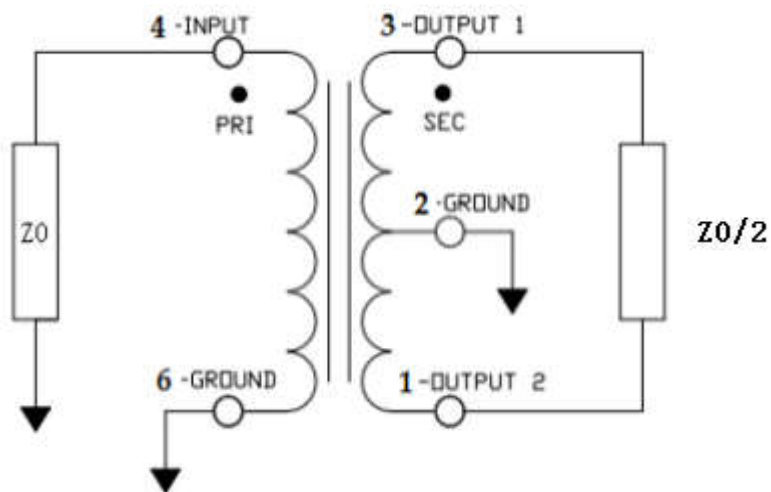


Recommended layout:

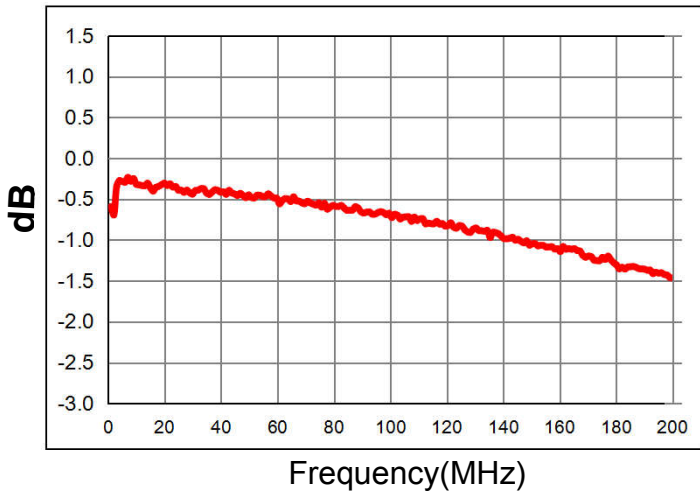
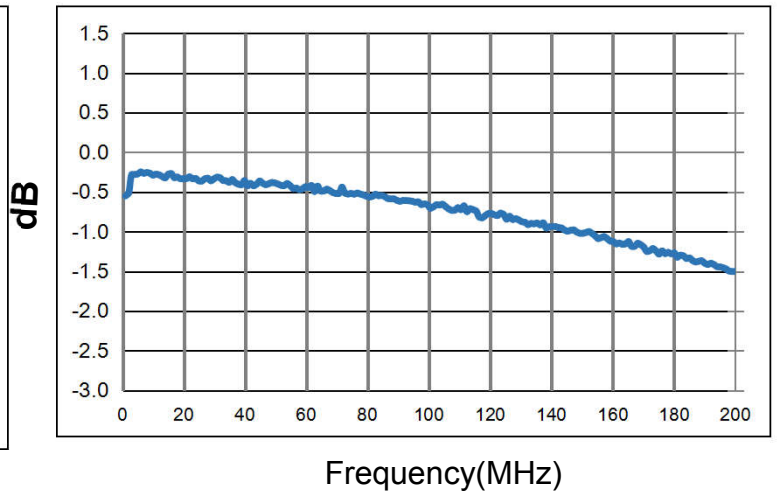
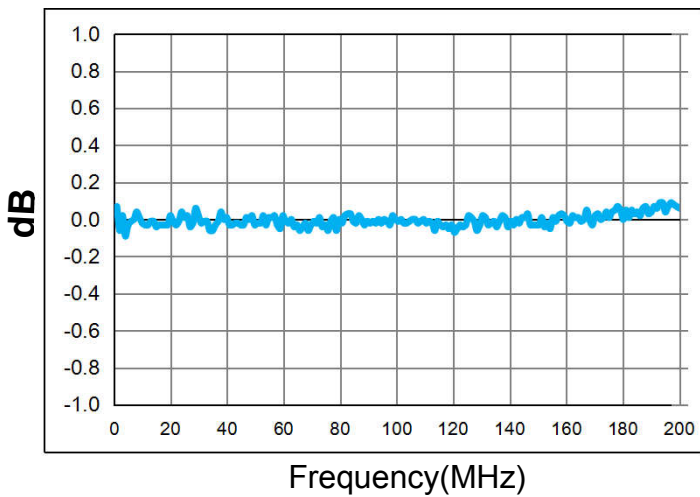
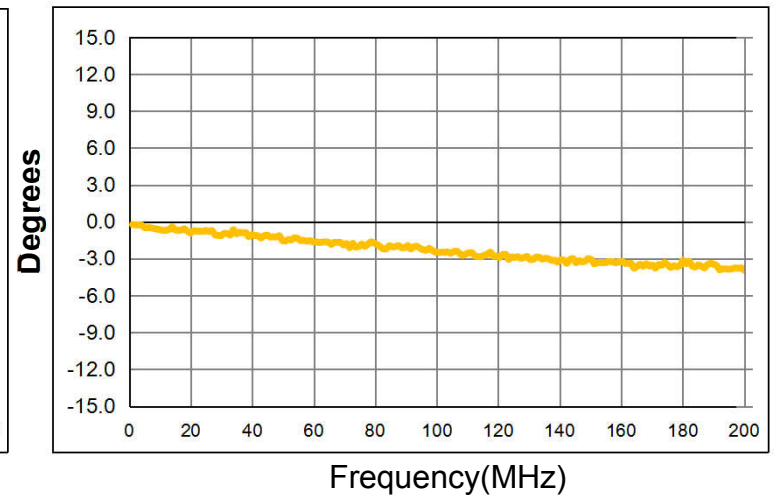
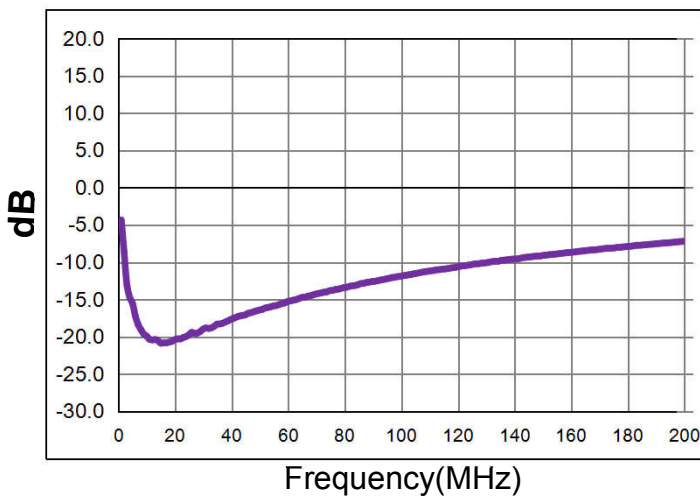
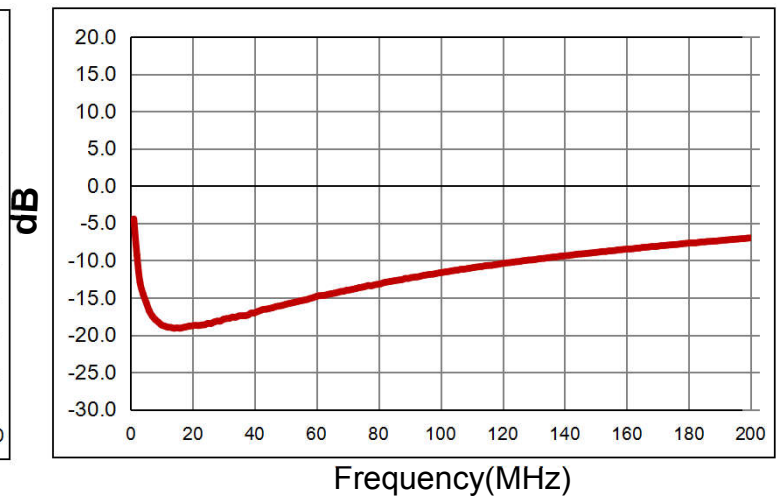


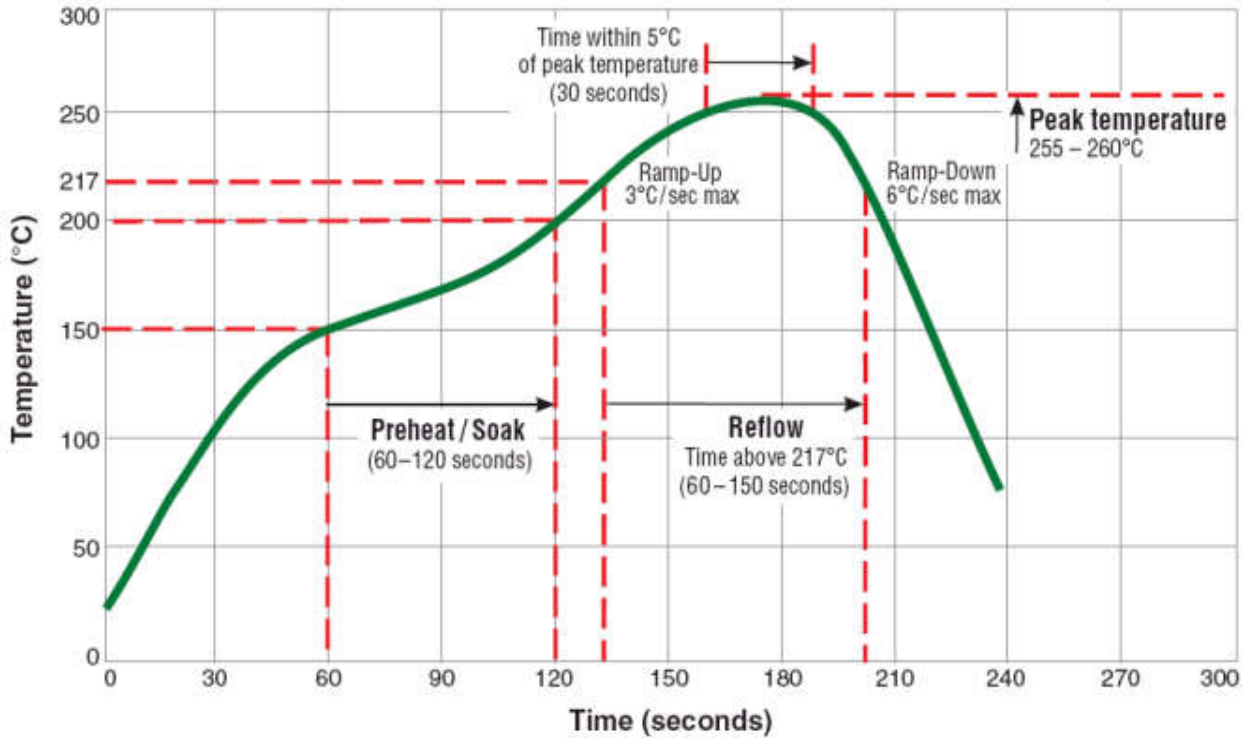
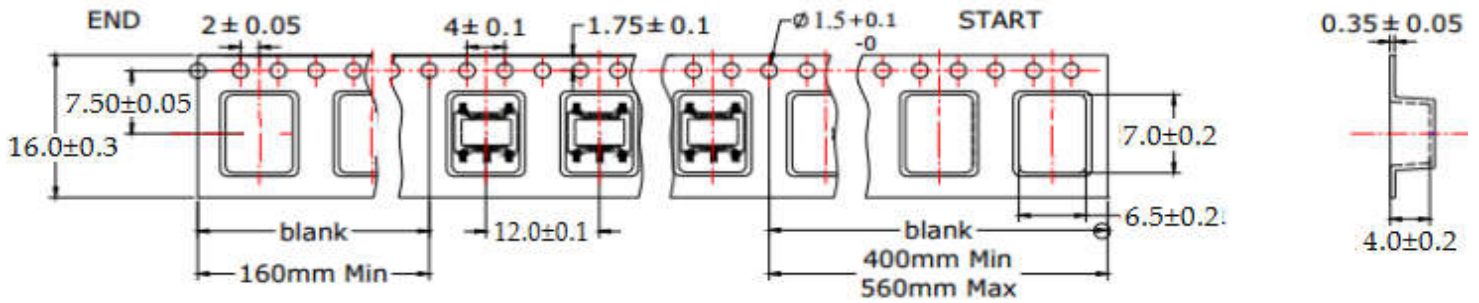
Pin configuration

Pin no.	Function
1	Secondary (Output 2)
2	Centre tap (Ground)
3	Secondary dot (Output 1)
4	Primary dot (Input)
6	Primary (Ground)

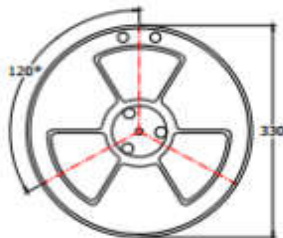
Application circuit :

Electrical Specifications: $T_A = 25^\circ\text{C}$ $Z_0 = 75\Omega$

Parameter	Test Conditions	Units	Min	Typ	Max
Main line Loss(out1)	5-100MHz	dB	—	0.50	2.00
Main line Loss(out2)	5-100MHz	dB	—	0.50	2.00
Amplitude Balance	5-100MHz	dB	—	0.02	0.10
Phase Balance	5-100MHz	Degrees	—	3.00	± 6.0
Input Return Loss	5-100MHz	dB	4.2	10.00	—

Main line Loss(out1)

Main line Loss(out2)

Amplitude Balance

Phase Balance

Input Return Loss

Sdd22


Recommended Soldering Temperature Graph:
Typical RoHS Reflow Profile

Packaging Dimension For Carrier Tape (UNIT:mm):


QUANTITY
1000PCS/Reel
3Reels/Middle Carton Middle Carton:
4 Middle Cartons/Big Carton
12000PCS/ Big Carton



SPEC	8	12	16	24
DIM A± 0.1	8.5	12.5	16.5	24.5
DIM B± 0.1	2.3	2.3	2.3	2.3
DIM C± 0.1	100	100	100	100

