

PD Module
PM1201 12V1A

DESCRIPTION

12V 13W PD(Powered Device) Integrated Module (Isolation Type)

FEATURES

- Fully supports IEEE® Std. 802.3af-2003
- Input Voltage Range 37V to 57V
- Short Circuit Protection
- In-rush Current Limit
- Over-temperature Protection
- Programmable Classification (Default :Class 0)
- High Efficiency
- Easy Installation and Low Cost (Isolation Type, Minimum External Devices required)
- Low Output Ripple and Noise
- Adjustable Output Voltage
- 1500Vrms Isolation (Input-Output)

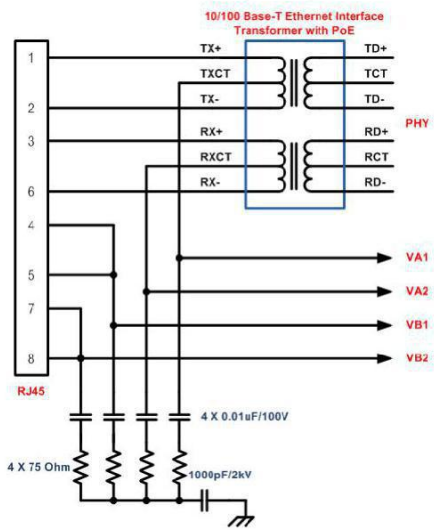
PIN ASSIGNMENT

Pin #	Name	Description
1, 2	NC	Do Not Connect.
3	VA1	Input (1). This input pin connects to the centre tap of the transformer connected to pins 1&2 of the RJ45 connector. It is not polarity sensitive.
4	VA2	Input (2). This input pin connects to the centre tap of the transformer connected to pins 3&6 of the RJ45 connector. It is not polarity sensitive.
5	VB1	Direct Input (1). This input pin connects to pin 4&5 of the RJ45 connector(or centretap of 4&5). It is not polarity sensitive.
6	VB2	Direct Input (2). This input pin connects to pin 7&8 of the RJ45 connector(or centretap of 7&8). It is not polarity sensitive.
7, 8	-VDC	Negative DC Output. This pin provides the -VDC output.
9, 10	+VDC	Positive DC Output. This pin provides the +VDC output.

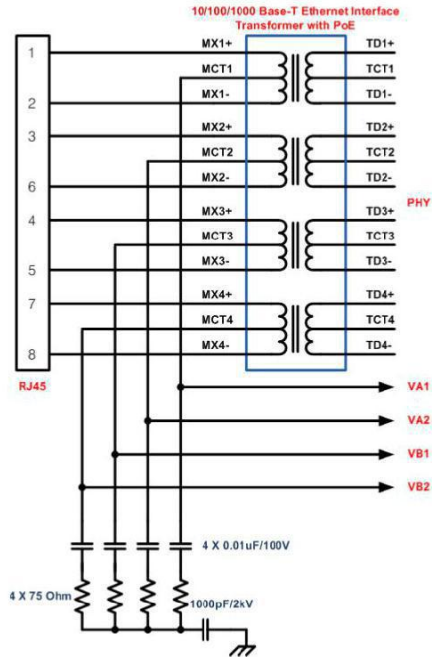
ELECTRICAL SPECIFICATIONS

No	Item	Specification
1	Input Voltage	37~57V
2	Output Voltage	12V Typ.
3	Output Current (Vin=56V)	1.3A Max.
4	Line Regulation	2%
5	Load Regulation	2%
6	Ripple & Noise	200mVp-p max.
7	Efficiency	85% min.
8	Input to Output Isolation	1500 Vrms
9	Type of DC/DC Converter	Flyback Type
10	Operating Temperature	-20 ~ +50 °C

10/100 Base-T APPLICATION



10/100/1000 Base-T APPLICATION



OPTIONAL EXTERNAL LC FILTER FOR LOWER RIPPLE AND NOISE

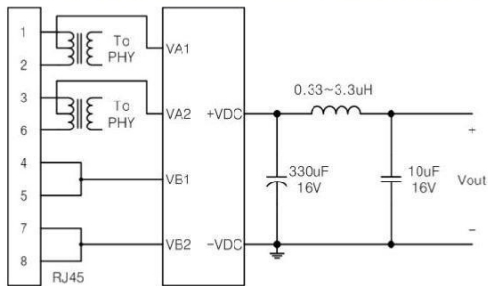
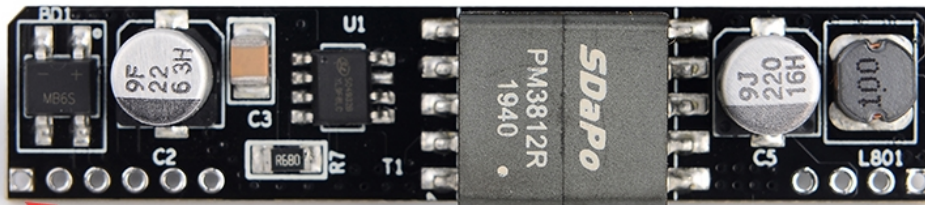


PHOTO IMAGE



From here begin is 1-10
从这里开始是1-10