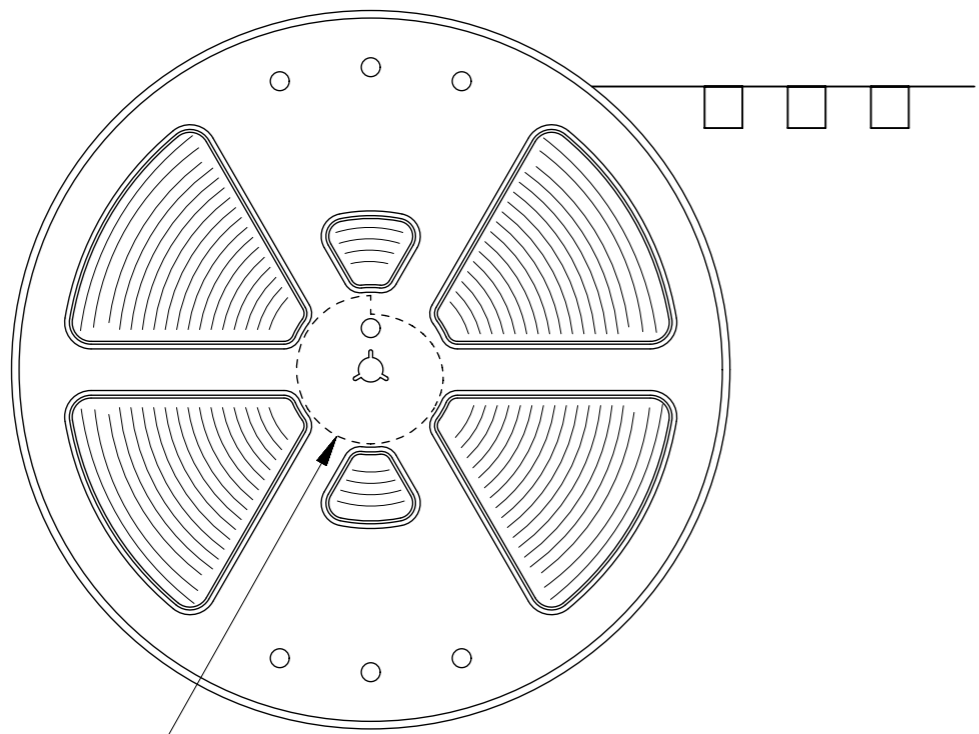
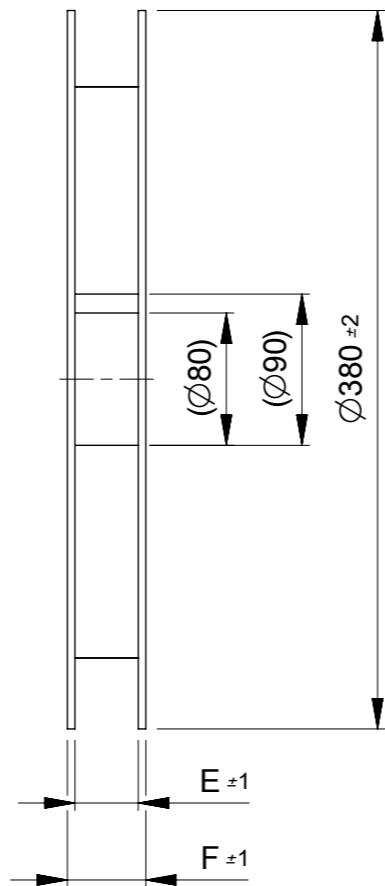


引き出し方向
PULL OUT DIRECTION

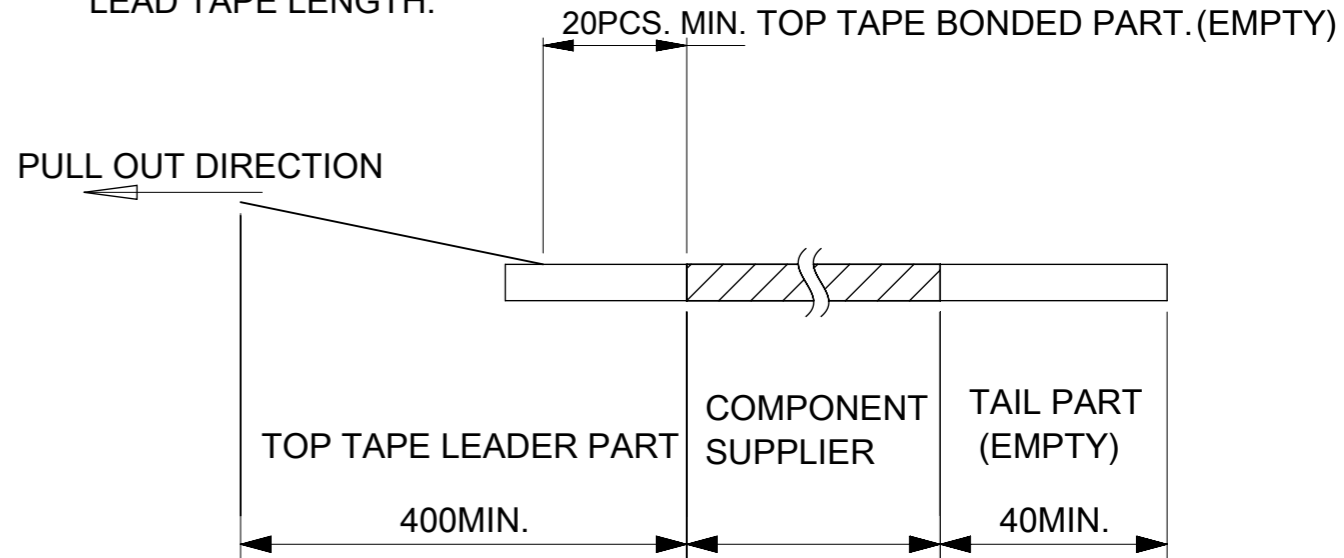


"D"

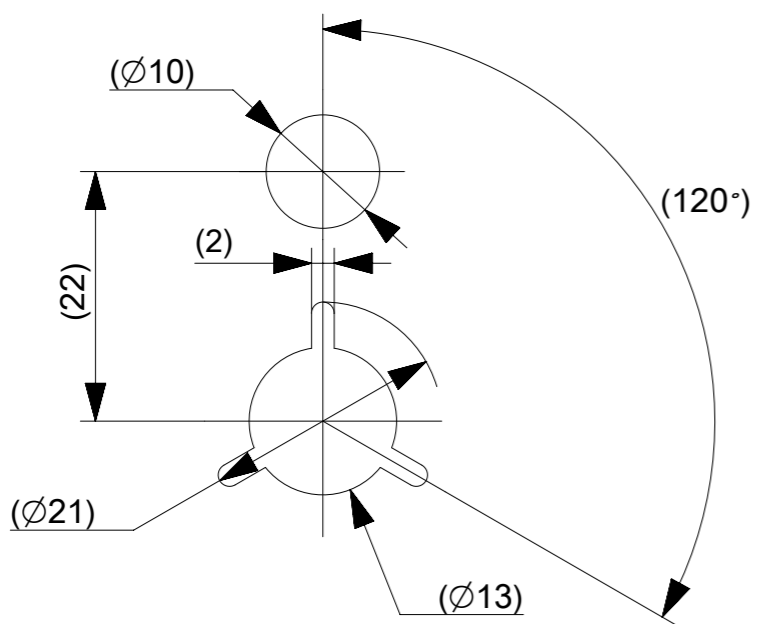


NOTES

1. DETAILED DIMENSION OF THE CONNECTOR, SEE PRODUCT DRAWING.
2. NUMBER OF CONNECTORS : 440 PCS/REEL
3. LEAD TAPE LENGTH.

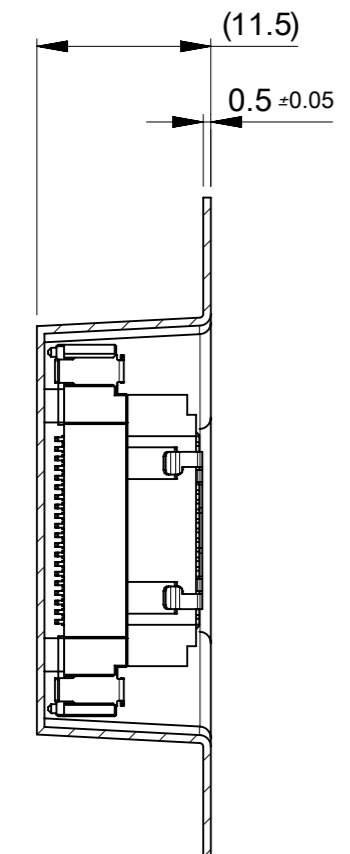


4. TOP TAPE PEEL FORCE IS DEFINED BY IEC60286-3
5. MATERIAL
CARRIER TAPE :POLYSTYRENE
TOP TAPE :PET , OTHER
REEL :POLYSTYRENE(PS)(RECYCLE MATERIAL CONTAINED)

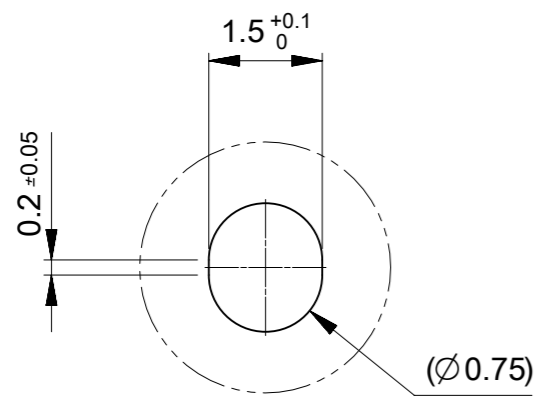


DETAIL "D"

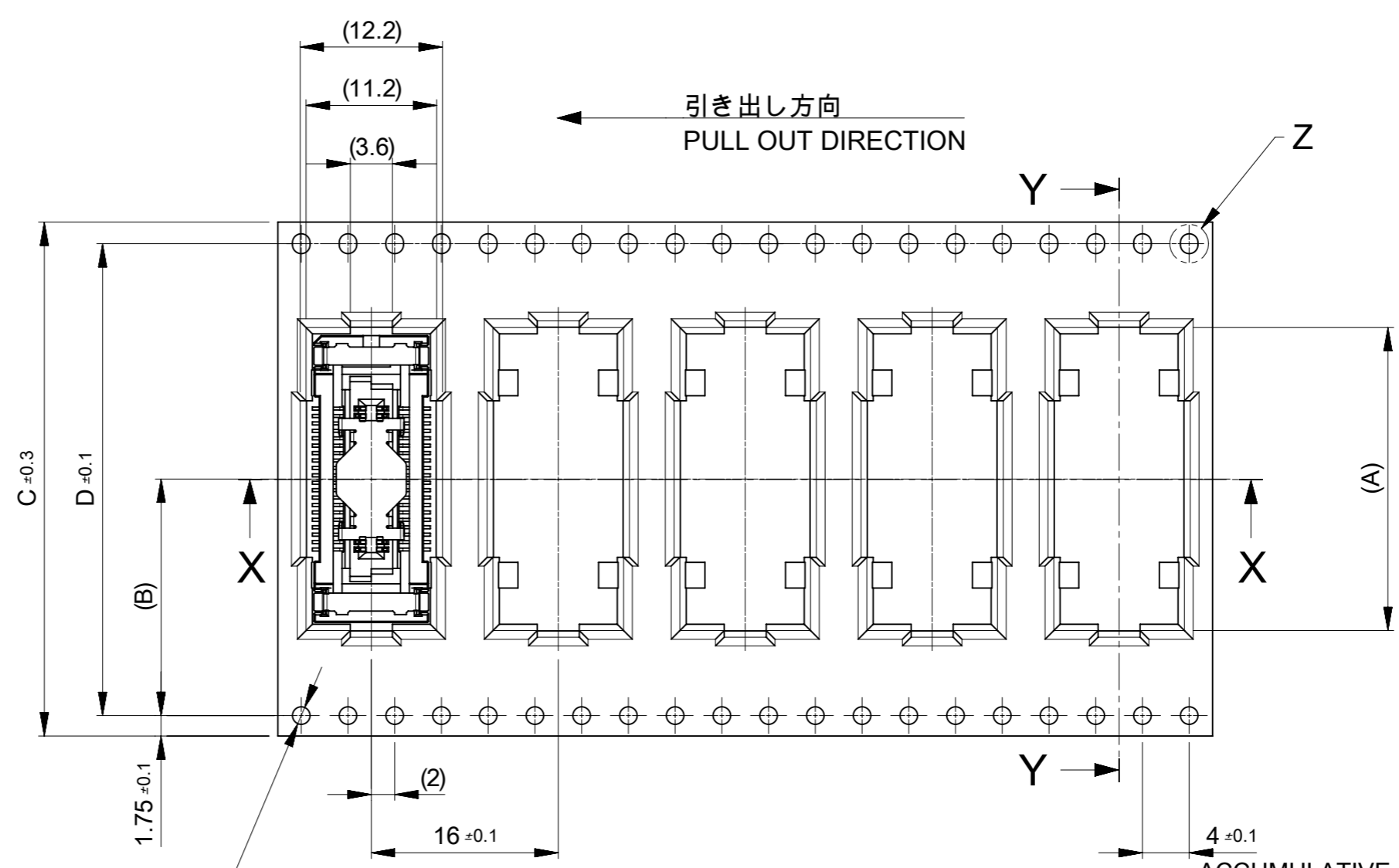
| | | | | | | | | | | |
|---|-------|------------------------|------------|--------|-----------------|-----------------|---|--------------|----------|----------|
| THIS DRAWING CONTAINS INFORMATION THAT IS PROPRIETARY TO MOLEX ELECTRONIC TECHNOLOGIES, LLC AND SHOULD NOT BE USED WITHOUT WRITTEN PERMISSION | | | | | | | | | | |
| DIMENSION UNITS | SCALE | CURRENT REV DESC: | | | | | molex | | | |
| mm | 1:1 | | | | | | | | | |
| GENERAL TOLERANCES (UNLESS SPECIFIED) | | | | | | | 0.635FLOATING B TO B CONN. REC EMBS PKG | | | |
| ANGULAR TOL ± ° | | | | | | | PRODUCT CUSTOMER DRAWING | | | |
| 4 PLACES | ± | EC NO: 639800 | | | | DOCUMENT NUMBER | | DOC TYPE | DOC PART | REVISION |
| 3 PLACES | ± | DRWN: SSKIM05 | 2020/06/18 | | | 2091680000-SD | | PSD | 000 | A2 |
| 2 PLACES | ± | CHK'D: HSHIMYOYAMA | 2020/06/18 | | | | | | | |
| 1 PLACE | ± | APPR: SHOSHIKAWA | 2020/06/18 | | | | | | | |
| 0 PLACES | ± | INITIAL REVISION: | | | | | | | | |
| | | DRWN: SSKIM05 | 2020/04/16 | | | | | | | |
| | | APPR: SHOSHIKAWA | 2020/05/11 | | | | | | | |
| DRAFT WHERE APPLICABLE MUST REMAIN WITHIN DIMENSIONS | | THIRD ANGLE PROJECTION | DRAWING | SERIES | MATERIAL NUMBER | CUSTOMER | | SHEET NUMBER | | |
| | | | A3-SIZE | 209168 | SEE TABLE | GENERAL | | 1 OF 2 | | |



SECTION Y-Y

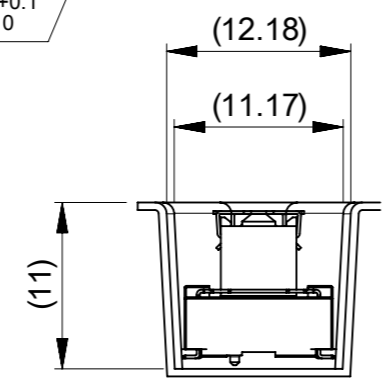


DETAIL Z
SCALE 10:1



引き出し方向
PULL OUT DIRECTION

ACCUMULATIVE
PITCH 40 ± 0.2

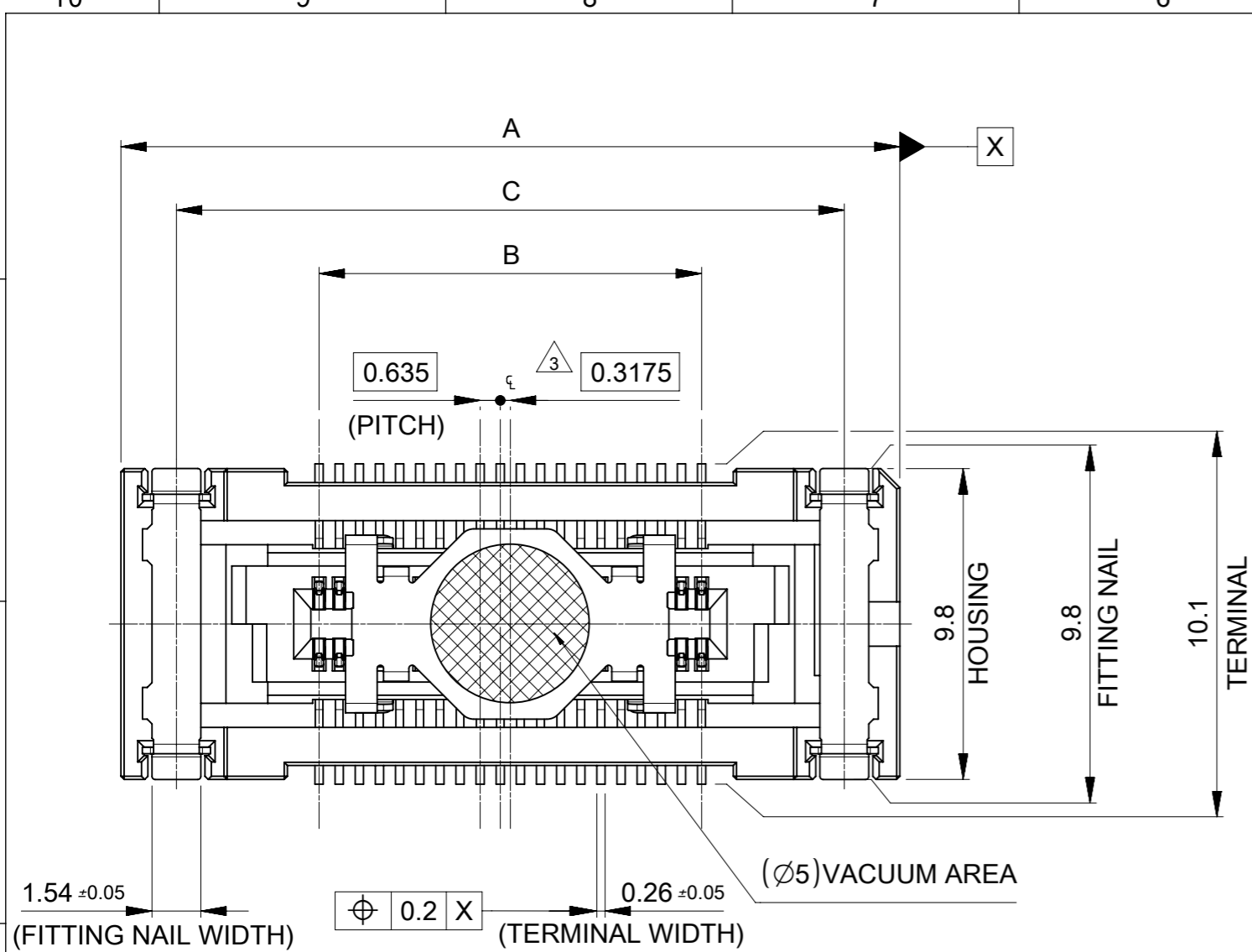


SECTION X-X

| | | | | | | | |
|------|------|------|----|------|--------|------------|---------|
| 61.4 | 57.4 | 52.4 | 56 | 26.2 | 37.565 | 2091680801 | 80 |
| | | | | | 31.215 | 2091680601 | 60 |
| 49.4 | 45.4 | 40.4 | 44 | 20.2 | 24.865 | 2091680401 | 40 |
| F | E | D | C | B | (A) | ORDER No. | CIRCUIT |

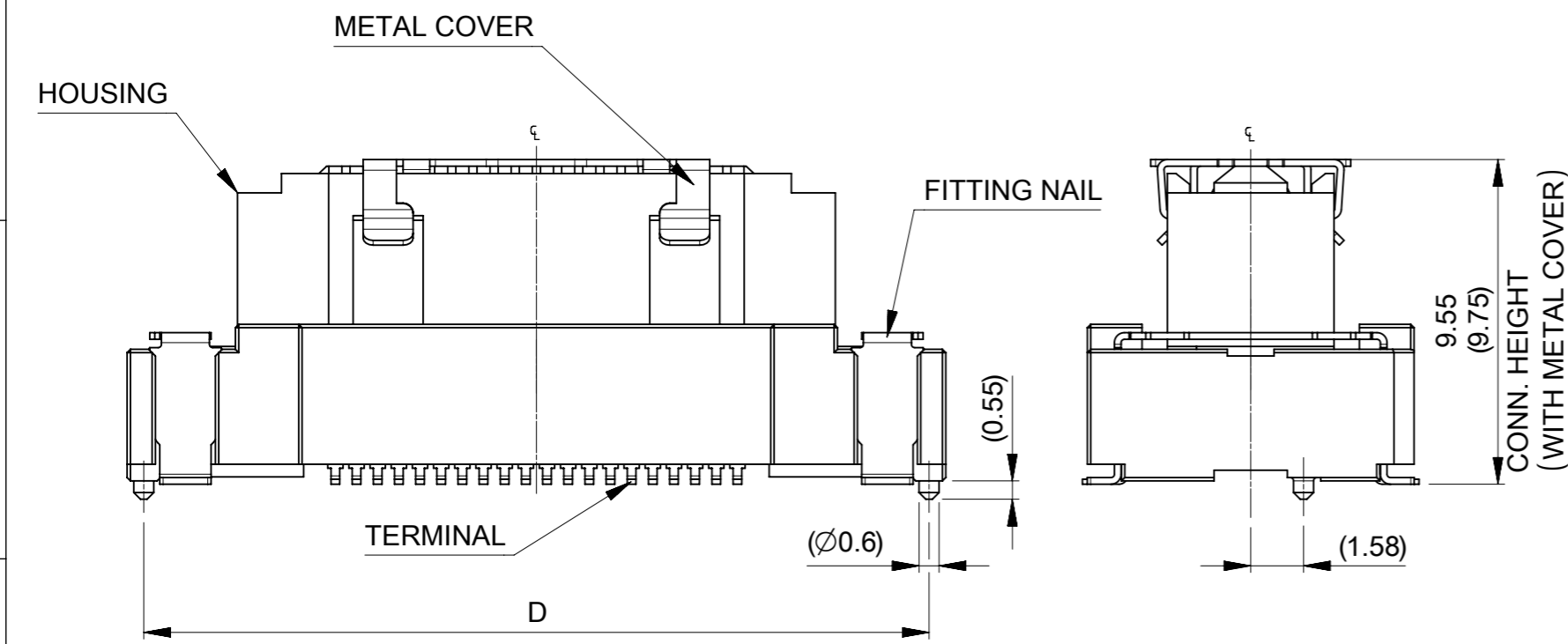
CONNECTOR SERIES No. 2091681**1

| | | | | | | | |
|---|-------|------------------------------|--|--------------------------|--|--------------|----------|
| THIS DRAWING CONTAINS INFORMATION THAT IS PROPRIETARY TO MOLEX ELECTRONIC TECHNOLOGIES, LLC AND SHOULD NOT BE USED WITHOUT WRITTEN PERMISSION | | CURRENT REV DESC: | | molex | | | |
| DIMENSION UNITS | SCALE | EC NO: 639800 | | | | | |
| mm | 1:1 | DRWN: SSKIM05 2020/06/18 | | PRODUCT CUSTOMER DRAWING | | | |
| GENERAL TOLERANCES (UNLESS SPECIFIED) | | CHK'D: HSHIMUYAMA 2020/06/18 | | DOCUMENT NUMBER | | | |
| ANGULAR TOL ± ° | | APPR: SHOSHIKAWA 2020/06/18 | | 2091680000-SD | | DOC TYPE | DOC PART |
| 4 PLACES ± | | INITIAL REVISION: | | 2020/04/16 | | PSD | 000 |
| 3 PLACES ± | | DRWN: SSKIM05 | | 2020/05/11 | | A2 | |
| 2 PLACES ± | | APPR: SHOSHIKAWA | | | | SHEET NUMBER | |
| 1 PLACE ± | | MATERIAL NUMBER | | CUSTOMER | | 2 OF 2 | |
| 0 PLACES ± | | DRAWING | | SERIES | | | |
| DRAFT WHERE APPLICABLE MUST REMAIN WITHIN DIMENSIONS | | THIRD ANGLE PROJECTION | | DRAWING | | SHEET NUMBER | |
| | | A3-SIZE | | 209168 | | | |



NOTES

- 1 MATERIAL
 HOUSING: LIQUID CRYSTAL POLYMER UL94V-0 (COLOR :BLACK)
 TERMINAL: COPPER ALLOY
 FITTING NAIL: COPPER ALLOY
 METAL COVER : STAINLESS STEEL
- 2 PLATING
 TERMINAL :
 CONTACT AREA: GOLD PLATING 0.1µm MINIMUM.
 SOLDER TAIL AREA: GOLD PLATING 0.05µm MINIMUM.
 UNDERPLATING: NICKEL PLATING 0.8µm MINIMUM.
 *DIVIDE INTO PARTS THE GOLD PLATING OF CONTACT AREA AND TAIL AREA BY THE NICKEL PLATING.
- FITTING NAIL:
 SURFACE:TIN PLATING 1.0µm MINIMUM.
 UNDERPLATING: NICKEL PLATING 1.0µm MINIMUM.
- △3 APPLY FOR (CIRCUIT/2)=EVEN.
- 4 MATE WITH : 55091**** / 53625**** / 53647**** / 53649**** / 53627****
- 5 TAIL AND FITTING NAIL COPLANARITY TO BE 0.1MAXIMUM.
- △6 STACK HEIGHT IS FIXEDLY KEPT BY A SPACER.
- △7 THIS DIMENSION SHOWS THE DIMENSION BETWEEN SOLDERING SURFACE OF SOLDER TAILS.



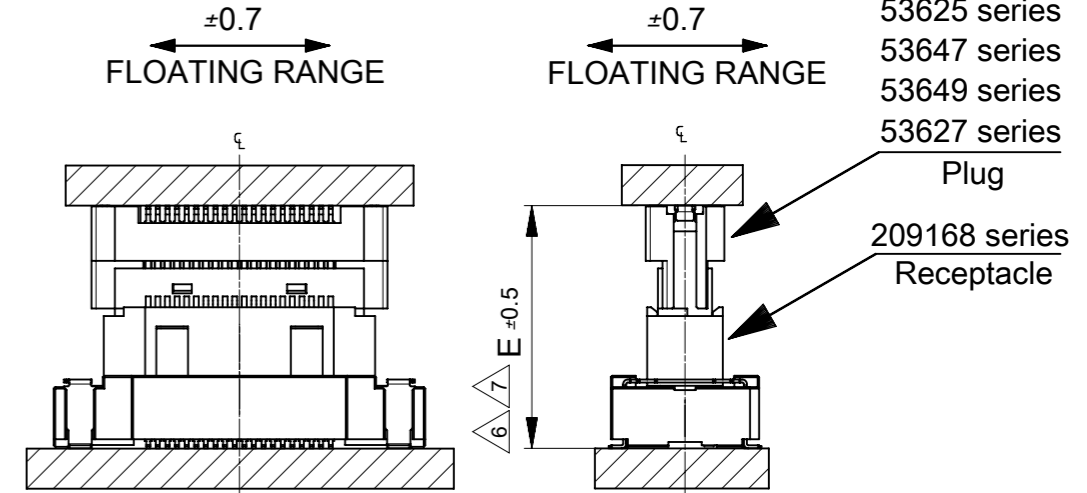
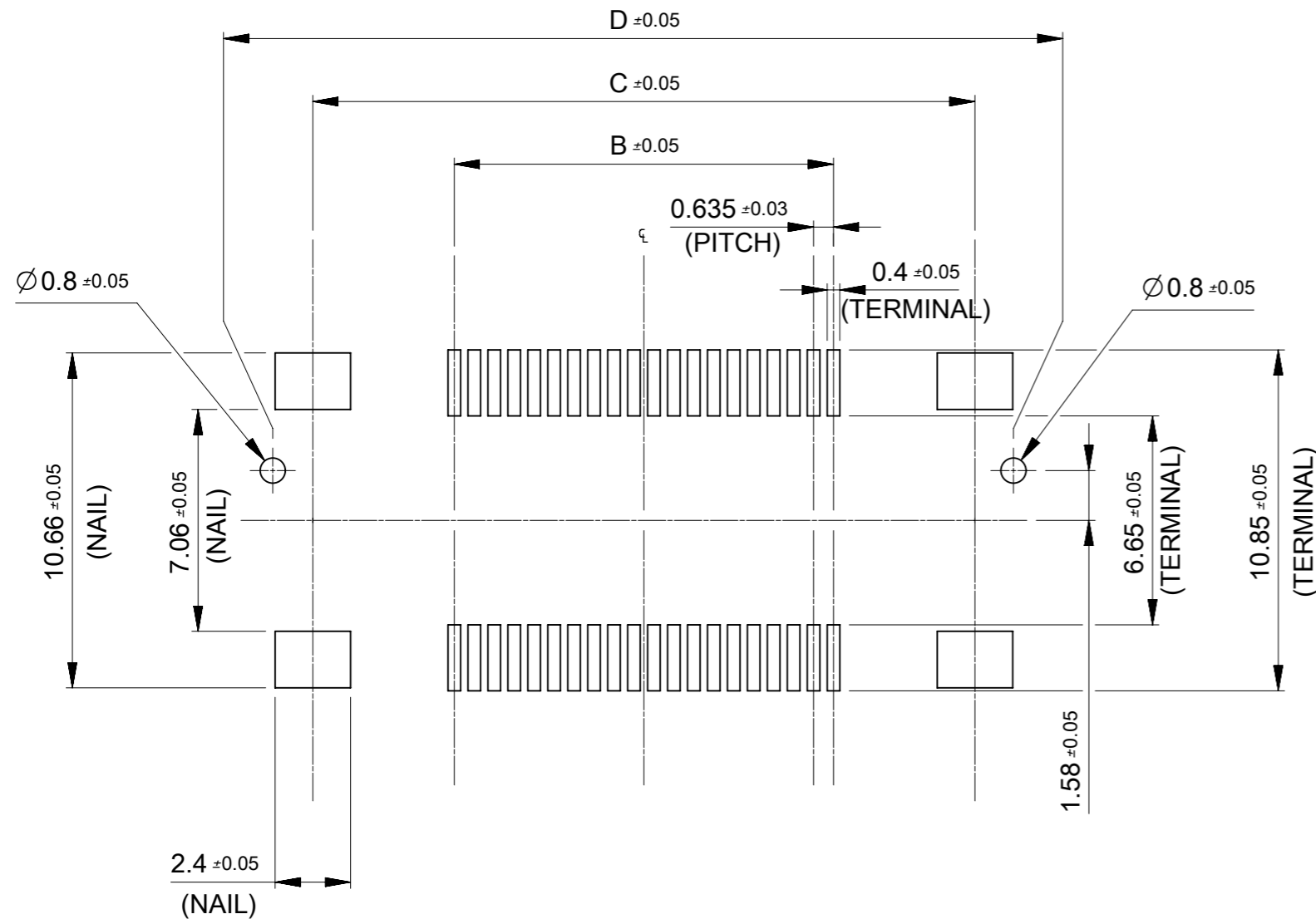
| | | | | | |
|-------|-------|--------|-------|-----------------------|---------|
| 36.26 | 33.76 | 24.765 | 37.26 | 2091680801 | 80 |
| 29.91 | 27.41 | 18.415 | 30.91 | 2091680601 | 60 |
| 23.56 | 21.06 | 12.065 | 24.56 | 2091680401 | 40 |
| D | C | B | A | EMBOSSED TAPE PACKAGE | CIRCUIT |
| | | | | ORDER NO. | |

CONNECTOR SERIES NO. : 2091681**1

| | | | | | |
|---|---------|---|------------------|-----------------|----------------------------|
| THIS DRAWING CONTAINS INFORMATION THAT IS PROPRIETARY TO MOLEX ELECTRONIC TECHNOLOGIES, LLC AND SHOULD NOT BE USED WITHOUT WRITTEN PERMISSION | | | | | |
| DIMENSION UNITS | SCALE | CURRENT REV DESC: | | | |
| mm | 5:1 | <p style="text-align: center;">molex</p> <p style="text-align: center;">0.635 FLOATING B TO B CONN. REC ASSY</p> <p style="text-align: center;">PRODUCT CUSTOMER DRAWING</p> | | | |
| GENERAL TOLERANCES (UNLESS SPECIFIED) | | | | | |
| ANGULAR TOL | ± 3.0 ° | | | | |
| 4 PLACES | ± 0.2 | | | | |
| 3 PLACES | ± 0.2 | | | | |
| 2 PLACES | ± 0.2 | | | | |
| 1 PLACE | ± 0.2 | EC NO: 644332 | DRWN: SSKIM05 | 2020/08/18 | |
| 0 PLACES | ± 0.2 | CHK'D: HSHIMOYAMA | APPR: SHOSHIKAWA | 2020/08/31 | |
| DRAFT WHERE APPLICABLE MUST REMAIN WITHIN DIMENSIONS | | INITIAL REVISION: | DRWN: SSKIM05 | 2020/04/17 | |
| THIRD ANGLE PROJECTION | | APPR: SHOSHIKAWA | 2020/05/11 | 2020/09/01 | |
| DRAWING | SERIES | MATERIAL NUMBER | CUSTOMER | DOCUMENT NUMBER | DOC TYPE DOC PART REVISION |
| A3-SIZE | 209168 | SEE TABLE | GENERAL | 2091681000-SD | PSD 000 A3 |
| SHEET NUMBER | | 1 OF 2 | | | |

RECOMMENDED P.W.BOARD PATTERN LAYOUT

RECOMMENDED THICKNESS OF METAL MASK : $t=0.15\text{mm}$
 RECOMMENDED OPEN APERTURE RATIO OF METAL MASK : 100%



| 嵌合高さ一覧 Stacking Height variation | | |
|-------------------------------------|----------------------|--------------|
| 12 | 209168 series | 55091 series |
| 13 | | 53625 series |
| 14 | | 53647 series |
| 15 | | 53649 series |
| 16 | | 53627 series |
| 嵌合高さ E Stacking Height E | リセプタクル Receptacle | プラグ Plug |

| | | | | | | | | | |
|---|------------------------|-------------------------------|--------|-----------------|--------------------------|--|--------------|--|----------|
| THIS DRAWING CONTAINS INFORMATION THAT IS PROPRIETARY TO MOLEX ELECTRONIC TECHNOLOGIES, LLC AND SHOULD NOT BE USED WITHOUT WRITTEN PERMISSION | | | | | | | | | |
| DIMENSION UNITS mm | SCALE 5:1 | CURRENT REV DESC: | | | molex | | | | |
| GENERAL TOLERANCES (UNLESS SPECIFIED) | | EC NO: 644332 | | | | | | | |
| ANGULAR TOL | $\pm 3.0^\circ$ | DRWN: SSKIM05 2020/08/18 | | | PRODUCT CUSTOMER DRAWING | | | | |
| 4 PLACES | ± 0.2 | CHK'D: HSHIMYOYAMA 2020/08/31 | | | DOCUMENT NUMBER | | | | |
| 3 PLACES | ± 0.2 | APPR: SHOSHIKAWA 2020/09/01 | | | 2091681000-SD | | | | |
| 2 PLACES | ± 0.2 | INITIAL REVISION: | | | DOC TYPE | | DOC PART | | REVISION |
| 1 PLACE | ± 0.2 | DRWN: SSKIM05 2020/04/17 | | | PSD | | 000 | | A3 |
| 0 PLACES | ± 0.2 | APPR: SHOSHIKAWA 2020/05/11 | | | GENERAL | | | | |
| DRAFT WHERE APPLICABLE MUST REMAIN WITHIN DIMENSIONS | THIRD ANGLE PROJECTION | DRAWING | SERIES | MATERIAL NUMBER | CUSTOMER | | SHEET NUMBER | | |
| | | A3-SIZE | 209168 | SEE TABLE | GENERAL | | 2 OF 2 | | |