

Product Features:

- Gigabit (10/100/1000) Ethernet RJ45
- IEEE802.3af/802.3at Compliant
- Compatible with Current and Voltage Drive PHY's
- 100% Compliance Testing
- 1500Vrms Hi-Pot
- 30µ" Gold (min) on Contacts
- Proprietary Robust Contact Design

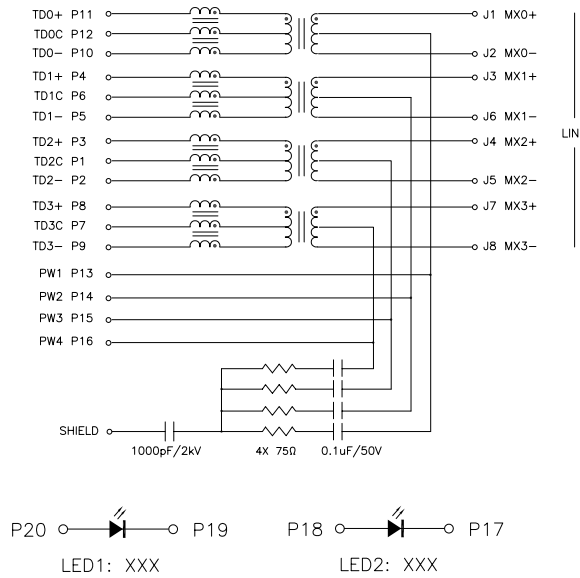
Part Number		Circuit	LED's (L/R)	PoE	PoE+	Return Loss (min)				Insertion Loss (max)
Standard Temp (0 to 70°C)	Extended Temp (-40 to +85°C)					1-40MHz	60MHz	80MHz	100MHz	
HFJT1-1GPRL	HFJT1-1GPERL	A	None	✓		-18dB	-14dB	-12dB	-10dB	-1.1dB
HFJT1-1GP-L11RL	HFJT1-1GPE-L11RL	A	G/G	✓		-18dB	-14dB	-12dB	-10dB	-1.1dB
HFJT1-1GP-L12RL	HFJT1-1GPE-L12RL	A	G/Y	✓		-18dB	-14dB	-12dB	-10dB	-1.1dB
HFJT1-1GP-L17RL	HFJT1-1GPE-L17RL	A	G/G(O)	✓		-18dB	-14dB	-12dB	-10dB	-1.1dB
HFJT1-1GP-L51RL	HFJT1-1GPE-L51RL	A	G(Y)/G	✓		-18dB	-14dB	-12dB	-10dB	-1.1dB
HFJT1-1GP-L55RL	HFJT1-1GPE-L55RL	A	G(Y)/G(Y)	✓		-18dB	-14dB	-12dB	-10dB	-1.1dB
HFJT1-1GP-L71RL	HFJT1-1GPE-L71RL	A	G(O)/G	✓		-18dB	-14dB	-12dB	-10dB	-1.1dB
HFJT1-1GP-L72RL	HFJT1-1GPE-L72RL	A	G(O)/Y	✓		-18dB	-14dB	-12dB	-10dB	-1.1dB
HFJT1-1GHPRL	HFJT1-1GHPERL	A	None		✓	-18dB	-14dB	-12dB	-10dB	-1.1dB
HFJT1-1GHP-L11RL	HFJT1-1GHPE-L11RL	A	G/G		✓	-18dB	-14dB	-12dB	-10dB	-1.1dB
HFJT1-1GHP-L12RL	HFJT1-1GHPE-L12RL	A	G/Y		✓	-18dB	-14dB	-12dB	-10dB	-1.1dB
HFJT1-1GHP-L17RL	HFJT1-1GHPE-L17RL	A	G/G(O)		✓	-18dB	-14dB	-12dB	-10dB	-1.1dB
HFJT1-1GHP-L51RL	HFJT1-1GHPE-L51RL	A	G(Y)/G		✓	-18dB	-14dB	-12dB	-10dB	-1.1dB
HFJT1-1GHP-L55RL	HFJT1-1GHPE-L55RL	A	G(Y)/G(Y)		✓	-18dB	-14dB	-12dB	-10dB	-1.1dB
HFJT1-1GHP-L71RL	HFJT1-1GHPE-L71RL	A	G(O)/G		✓	-18dB	-14dB	-12dB	-10dB	-1.1dB
HFJT1-1GHP-L72RL	HFJT1-1GHPE-L72RL	A	G(O)/Y		✓	-18dB	-14dB	-12dB	-10dB	-1.1dB

Notes:

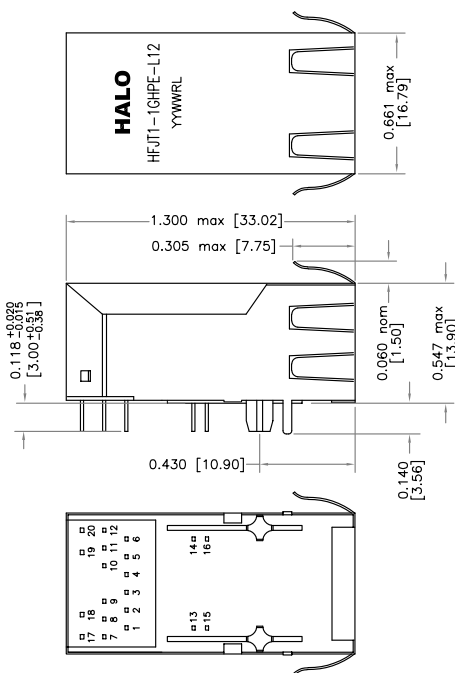
1. LED Key : G = Green, Y = Yellow, O = Orange, () = Bi-Color
2. Other LED colors, bi-colors, polarities, and current limiting versions available
3. Part specific datasheets available

HALO "Long Body" Gigabit Ethernet Family of FastJacks

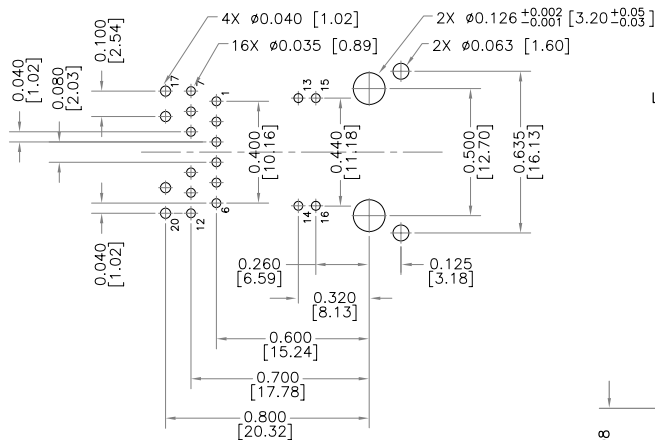
Circuit A



Mechanical

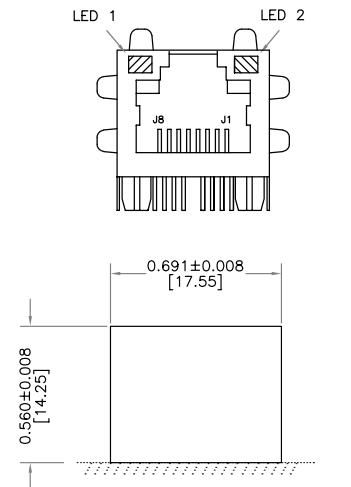


Dimensions are in inches [mm]



Recommended PCB Layout (Component Side)

* Parts numbers without LED's omit pins 17 through 20



RECOMMENDED PANEL CUT



2880 Lakeside Drive #116
Santa Clara, CA 95054
(650) 903-3800
www.haloelectronics.com

HALO® Electronics is a leading supplier of high quality communication magnetics including signal transformers, filters, CMR chokes, PoE power transformers, DC/DC converters, and integrated Ethernet connectors. HALO's leading edge technology solutions are manufactured in ISO9001 and ISO14001 factories offering high quality products at a competitive price.

© Copyright 2014 HALO Electronics, Inc. All rights reserved.

Revised 3/2014 Download the latest version at www.haloelectronics.com/pdf/fastjack-longbody-poe-gigabit.pdf

Mouser Electronics

Authorized Distributor

Click to View Pricing, Inventory, Delivery & Lifecycle Information:

HALO Electronics:

[HFJT1-1GPE-L11RL](#) [HFJT1-1GP-L11RL](#) [HFJT1-1GP-L71RL](#) [HFJT1-1GHPE-L11RL](#) [HFJT1-1GHP-L12RL](#) [HFJT1-1GP-L12RL](#) [HFJT1-1GP-L72RL](#) [HFJT1-1GHPE-L55RL](#) [HFJT1-1GPE-L51RL](#) [HFJT1-1GPERL](#) [HFJT1-1GPE-L71RL](#) [HFJT1-1GHPE-L51RL](#) [HFJT1-1GHP-L55RL](#) [HFJT1-1GHP-L71RL](#) [HFJT1-1GPRL](#) [HFJT1-1GPE-L55RL](#) [HFJT1-1GHPE-L12RL](#) [HFJT1-1GHP-L72RL](#) [HFJT1-1GHPE-L72RL](#) [HFJT1-1GHP-L51RL](#) [HFJT1-1GHPRL](#) [HFJT1-1GHPE-L17RL](#) [HFJT1-1GPE-L17RL](#) [HFJT1-1GHPE-L71RL](#) [HFJT1-1GP-L17RL](#) [HFJT1-1GP-L51RL](#) [HFJT1-1GP-L55RL](#) [HFJT1-1GPE-L72RL](#) [HFJT1-1GPE-L12RL](#) [HFJT1-1GHP-L17RL](#)