

AT-CUT CRYSTAL UNIT (SMD · Metal-can Type)

RoHS compliant

HCM49

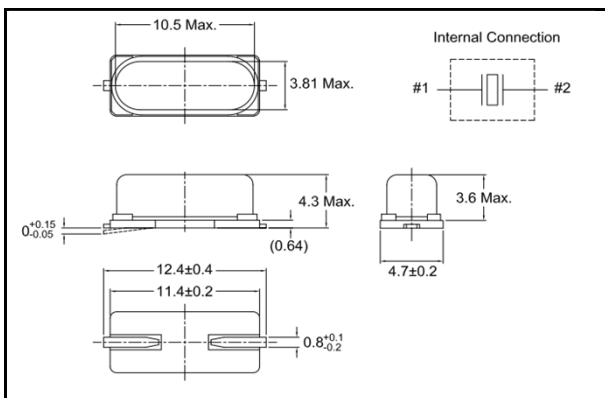
1,000pcs/reel



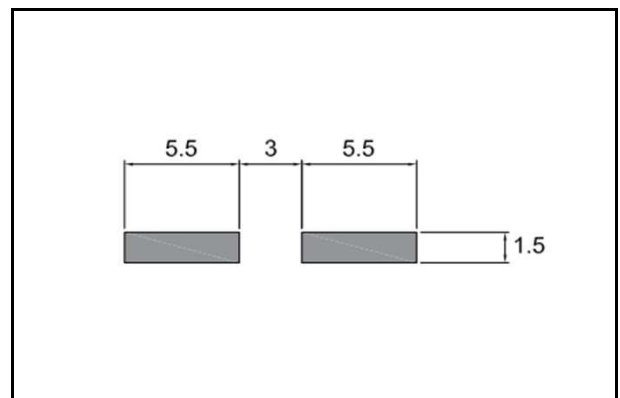
■ FEATURES

- Frequency range : 3.5 ~ 50.0MHz
- External dimensions (mm)
L : 11.4 x W : 4.7 x H : 4.3
- Applications
Consumer products

■ DIMENSION [mm]



■ SOLDER PAD LAYOUT [mm]



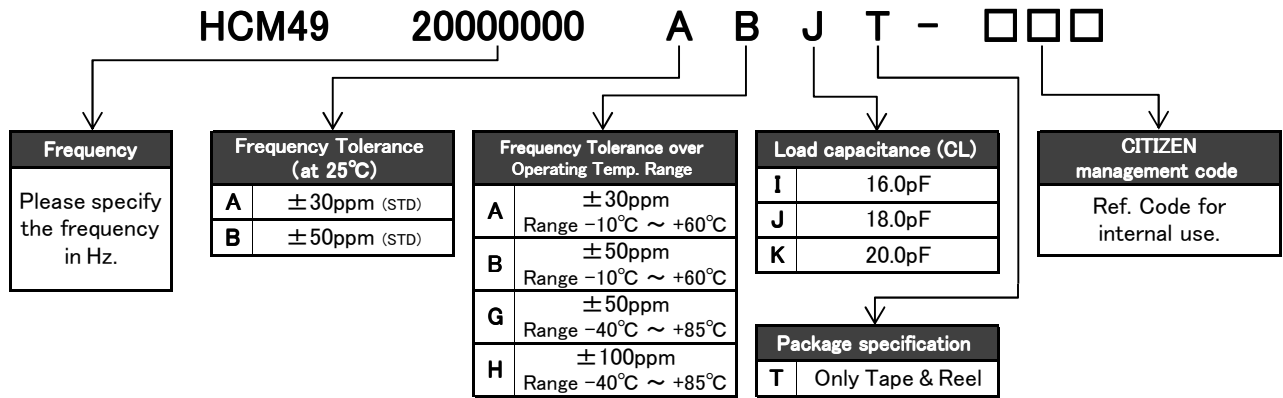
■ STANDARD SPECIFICATIONS

Item	Model	HCM49	Conditions
Nominal Frequency	f_0	3.5MHz ~ 30.0MHz (Fundamental) 30.0MHz ~ 50.0MHz (3rd Overtone)	Please contact us for frequencies available
Frequency Tolerance	$\Delta f/f_0$	±30ppm	at 25°C
Frequency Tolerance over Operating Temperature Range	$\Delta f/f_0$	below 6.0MHz: ±50ppm above 6.0MHz: ±30ppm	-10°C ~ +60°C
Operating Temperature Range	T_{OPR}	-40°C ~ +85°C	
Storage Temperature Range	T_{STR}	-55°C ~ +125°C	
Motional (series) resistance	R_1	Refer to the following table	at 25°C
Load capacitance	C_L	Fundamental: 10.0pF ~ ∞ 3rd Overtone: 5.0pF ~ ∞	Please specify your requirement
Shunt capacitance	C_0	7.0pF Max.	
Level of drive	D_L	100 μW	
Insulation Resistance	I_R	500MΩ Min.	DC100V ± 15V
Aging (first year)	$\Delta f/f_0$	±5ppm Max.	25°C ± 3°C

■ MOTIONAL (SERIES) RESISTANCE (R₁)

Freq. Range (MHz)	3.5 ≤ f ₀ < 4.0	4.0 ≤ f ₀ < 6.0	6.0 ≤ f ₀ < 10.0	10.0 ≤ f ₀ < 14.0	14.0 ≤ f ₀ < 30.0	30.0 ≤ f ₀ < 36.0	36.0 ≤ f ₀ ≤ 50.0
Mode	Fundamental	Fundamental	Fundamental	Fundamental	Fundamental	3rd Overtone	3rd Overtone
R ₁	200Ω Max.	150Ω Max.	100Ω Max.	80Ω Max.	50Ω Max.	140Ω Max.	100Ω Max.

■ PART NUMBERING SYSTEM



*Please contact us for specifications available.

■ Part Marking [standard]

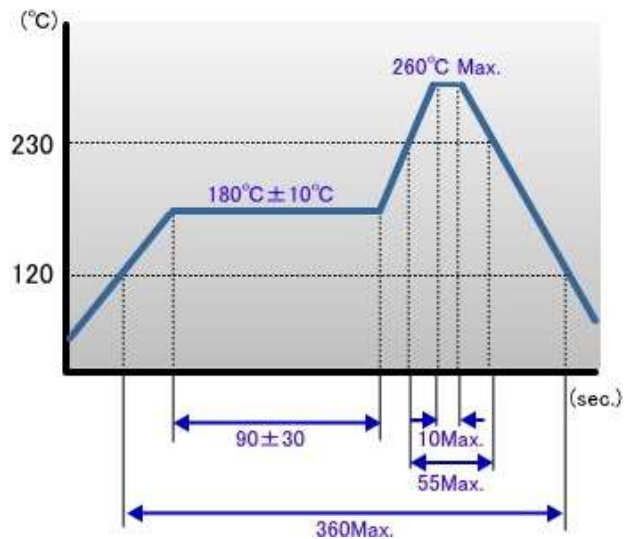


- f : The first 4 digits of Frequency including the decimal point
- C : Manufacture's ID Code
- y : The last digit of production year
- m : Production month (See Table.1)

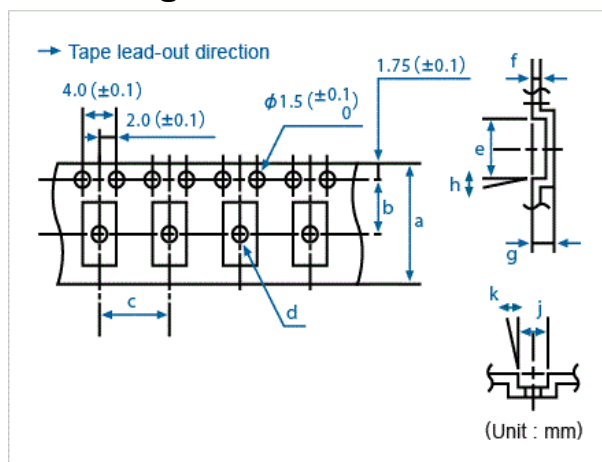
Table.1

Month	Jan	Feb	...	Sep	Oct	Nov	Dec
Code	1	2	...	9	X	Y	Z

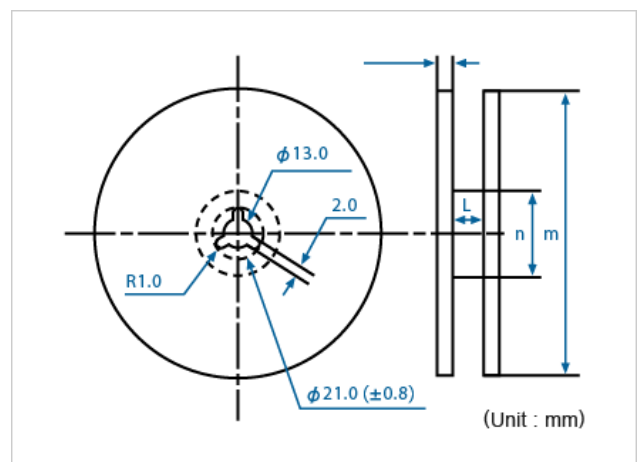
■ Reflow profile



■ Packing



Conforming to JIS C 0806 TB1208NEIAJ and RC-1009B TE1208N



Conforming to JIS C 0806 R12R and EIAJ RC-1009B R15

Q'ty/reel	a	b	c	d (φ)	e	f	g	h	j	k	l	m (φ)	n (φ)
1,000	24.0	11.5	12.0	2.0	14.1	0.4	4.2	5°	6.5	5°	25.5	330	80

Product specifications are subject to change without notice.

Rev.2

Mouser Electronics

Authorized Distributor

Click to View Pricing, Inventory, Delivery & Lifecycle Information:

Citizen:

[HCM49-3.6864MABJ-UT](#) [HCM49-25.000MABJ-UT](#) [HCM49-6.144MABJ-UT](#) [HCM49-17.734475MABJ-UT](#) [HCM49-10.240MABJ-UT](#) [HCM49-15.360MABJ-UT](#) [HCM49-13.500MABJ-UT](#) [HCM49-27.000MABJ-UT](#) [HCM49-24.576MABJ-UT](#) [HCM49-4.096MABJ-UT](#) [HCM49-16.000MABJ-UT](#) [HCM49-9.000MABJ-UT](#) [HCM49-48.000MABJ-UT](#) [HCM49-9.216MABJ-UT](#) [HCM49-16.384MABJ-UT](#) [HCM49-14.31818MABJ-UT](#) [HCM49-5.5296MABJ-UT](#) [HCM49-14.7456MABJ-UT](#) [HCM49-4.194304MABJ-UT](#) [HCM49-30.000MABJ-UT](#) [HCM49-7.680MABJ-UT](#) [HCM49-11.2896MABJ-UT](#) [HCM49-16.5270MABJ-UT](#) [HCM49-15.000MABJ-UT](#) [HCM49-32.000MABJ-UT](#) [HCM49-8.192MABJ-UT](#) [HCM49-50.000MABJ-UT](#) [HCM49-28.224MABJ-UT](#) [HCM49-8.000MABJ-UT](#) [HCM49-18.432MABJ-UT](#) [HCM49-10.000MABJ-UT](#) [HCM49-7.3728MABJ-UT](#) [HCM49-49.152MABJ-UT](#) [HCM49-32.768MABJ-UT](#) [HCM49-20.000MABJ-UT](#) [HCM49-16.000MABJ-UB](#) [HCM49-11.0592MABJ-UT](#) [HCM49-12.000MABJ-UT](#) [HCM49-19.6608MABJ-UT](#) [HCM49-24.000MABJ-UT](#) [HCM49-29.4912MABJ-UT](#) [HCM49-18.000MABJ-UT](#) [HCM49-5.000MABJ-UT](#) [HCM49-3.579545MABJ-UT](#) [HCM49-4.9152MABJ-UT](#) [HCM49-9.8304MABJ-UT](#) [HCM49-40.000MABJ-UT](#) [HCM49-12.288MABJ-UT](#) [HCM49-4.000MABJ-UT](#) [HCM49-22.1184MABJ-UT](#) [HCM49-6.000MABJ-UT](#) [HCM49-12.288MBBIUT](#) [HCM49-14.31818MABKUT](#) [HCM49-14.7456MBBIUT](#) [HCM49-16.000MABKUT](#) [HCM49-16.000MBBIUT](#) [HCM49-16.384MBBIUT](#) [HCM49-20.000MBBIUT](#) [HCM49-20.480MBBCUT](#) [HCM49-24.000MBBIUT](#) [HCM49-25.000MBBIUT](#) [HCM49-28.224MABJUT](#) [HCM49-3.579545MABKUT](#) [HCM49-4.194304MBBJUT](#) [HCM49-4.9152MABKUT](#) [HCM49-6.144MBBIUT](#) [HCM49-9.8304MBBJUT](#) [HCM49-16.000MDAQ-UT](#) [HCM49-11.0592MCCN-UT](#) [HCM49-3.6864MABJ-UB](#) [HCM49-19.6608MABL-UT](#) [HCM49-19.6608MBBE-UT](#) [HCM49-6.000MAAN-UT](#) [HCM49-41.600-MDGQ-UT](#) [HCM49-11.0592MAHK-UT](#) [HCM49-14.31818MBBK-UT](#) [HCM49-3.6864MABJ-T](#) [HCM49-16.2570MABJ-UT](#) [HCM4936864000ABJT](#) [HCM494000000ABJT](#) [HCM496000000ABJT](#) [HCM4973728000ABJT](#) [HCM498000000ABJT](#) [HCM4925000000ABJT](#) [HCM4910000000ABJT](#) [HCM4912000000ABJT](#) [HCM4914745600ABJT](#) [HCM4916000000ABJT](#) [HCM4920000000ABJT](#) [HCM4924000000ABJT](#) [HCM49196608000ABLT](#) [HCM49110592000CCNT](#) [HCM4911059200AHKT](#) [HCM4911289600ABJT](#) [HCM4912288000ABJT](#) [HCM4912288000BBIT](#) [HCM4949152000ABKT](#) [HCM4916384000ABJT](#) [HCM4916384000BBIT](#) [HCM4916527000ABJT](#)