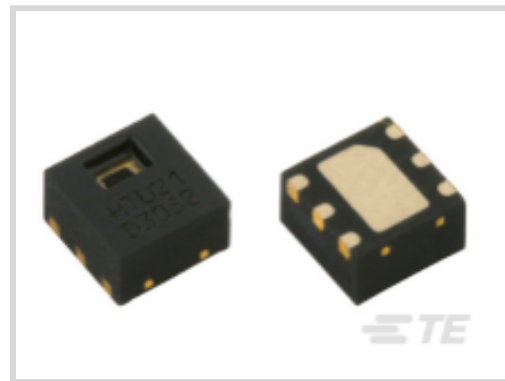




Sensors > Humidity Sensors > Humidity Sensor Components > HTU21D Digital High Accuracy RH/T Sensor



Humidity Sensor Product Type: **RHT**

Supply Voltage (Peak): **3.8 V**

Current Consumption: **.014 mA**

Operating Temperature Range: **-40 – 125 °C [-40 – 257 °F]**

Interface Signal Type: **Digital**

[All HTU21D Digital High Accuracy RH/T Sensor \(4\)](#)

Features

Product Type Features

Humidity Sensor Product Type	RHT
Interface Signal Type	Digital

Electrical Characteristics

Supply Voltage (Peak)	3.8 V
Current Consumption	.014 mA

Usage Conditions

Humidity Operating Range	0 – 100 %RH
Operating Temperature Range	-40 – 125 °C[-40 – 257 °F]

Product Compliance

[For compliance documentation, visit the product page on TE.com>](#)

EU RoHS Directive 2011/65/EU	Compliant
EU ELV Directive 2000/53/EC	Compliant
China RoHS 2 Directive MIIT Order No 32, 2016	No Restricted Materials Above Threshold
EU REACH Regulation (EC) No. 1907/2006	Current ECHA Candidate List: JUNE 2024 (241) Candidate List Declared Against: JUNE 2024 (241)

Does not contain REACH SVHC

Halogen Content

Low Halogen - Br, Cl, F, I < 900 ppm per homogenous material. Also BFR/CFR/PVC Free

Solder Process Capability

Not reviewed for solder process capability

Product Compliance Disclaimer

This information is provided based on reasonable inquiry of our suppliers and represents our current actual knowledge based on the information they provided. This information is subject to change. The part numbers that TE has identified as EU RoHS compliant have a maximum concentration of 0.1% by weight in homogenous materials for lead, hexavalent chromium, mercury, PBB, PBDE, DBP, BBP, DEHP, DIBP, and 0.01% for cadmium, or qualify for an exemption to these limits as defined in the Annexes of Directive 2011/65/EU (RoHS2). Finished electrical and electronic equipment products will be CE marked as required by Directive 2011/65/EU. Components may not be CE marked. Additionally, the part numbers that TE has identified as EU ELV compliant have a maximum concentration of 0.1% by weight in homogenous materials for lead, hexavalent chromium, and mercury, and 0.01% for cadmium, or qualify for an exemption to these limits as defined in the Annexes of Directive 2000/53/EC (ELV). Regarding the REACH Regulation, the information TE provides on SVHC in articles for this part number is based on the latest European Chemicals Agency (ECHA) 'Guidance on requirements for substances in articles' posted at this URL: <https://echa.europa.eu/guidance-documents/guidance-on-reach>

Compatible Parts



TE Part # HPP845E134R4
HTU20DF RH/T SENSOR IC B400

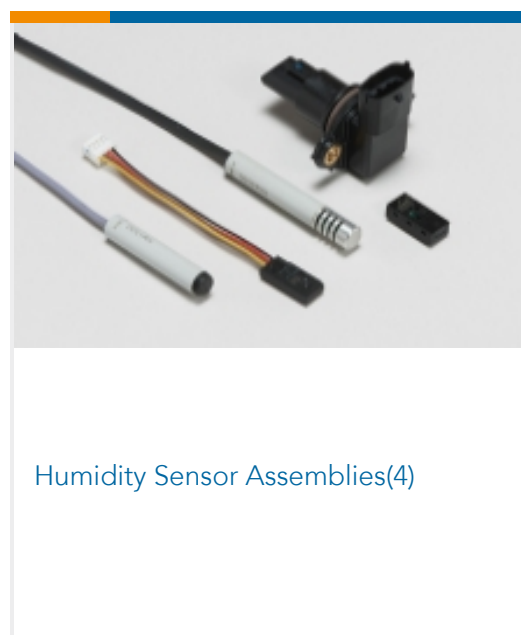


TE Part # CAT-HSC0005
HTU21P Analog High Accuracy RH/T Sensor

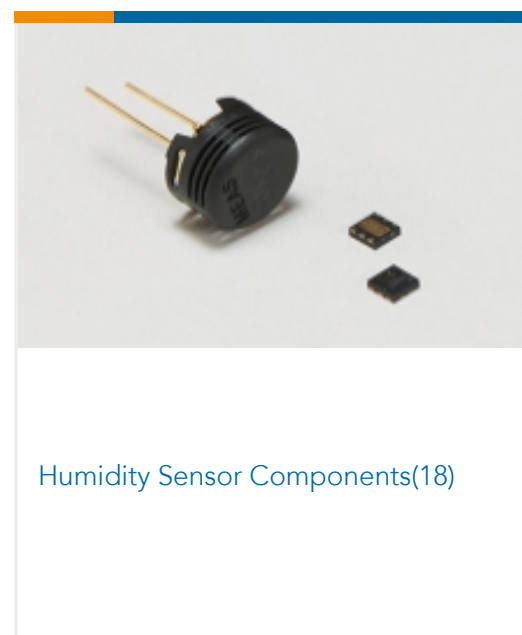


TE Part # HPP845E031
HTU21D RH/T SENSOR

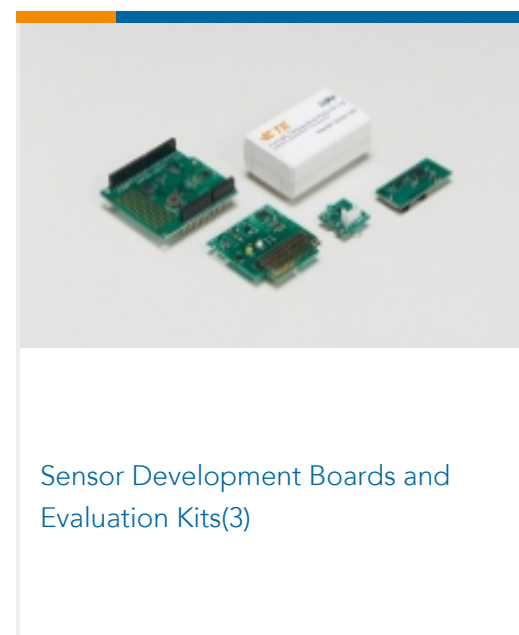
Also in the Series | MEAS HTU



Humidity Sensor Assemblies(4)

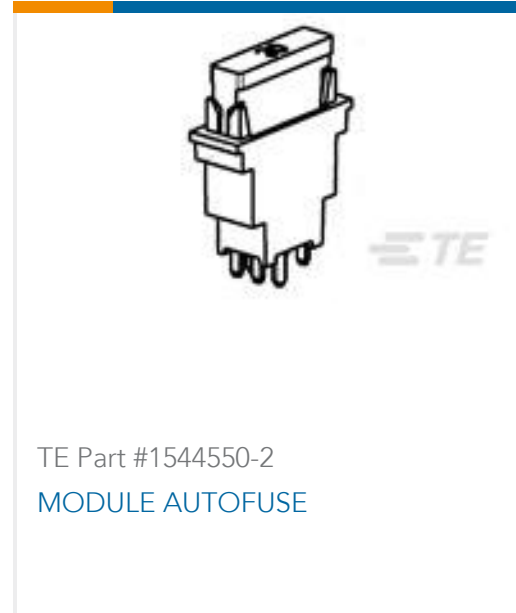
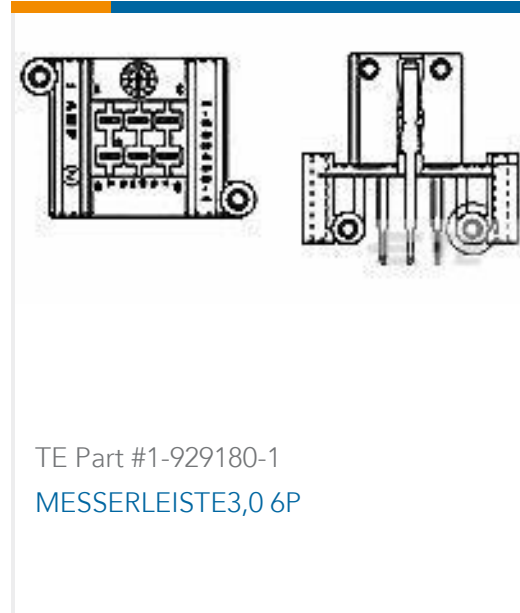
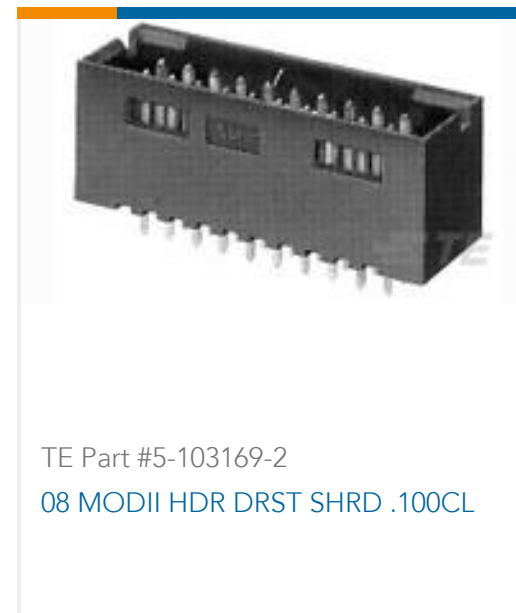


Humidity Sensor Components(18)



Sensor Development Boards and Evaluation Kits(3)

Customers Also Bought



Documents

CAD Files

3D PDF

3D

Customer View Model

[ENG_CVM_CVM_HPP845E031R4_B.2d_dxf.zip](#)

English

Customer View Model

[ENG_CVM_CVM_HPP845E031R4_B.3d_igs.zip](#)

English

Customer View Model

[ENG_CVM_CVM_HPP845E031R4_B.3d_stp.zip](#)

English

By downloading the CAD file I accept and agree to the [Terms and Conditions](#) of use.

Datasheets & Catalog Pages

HTU21D

English