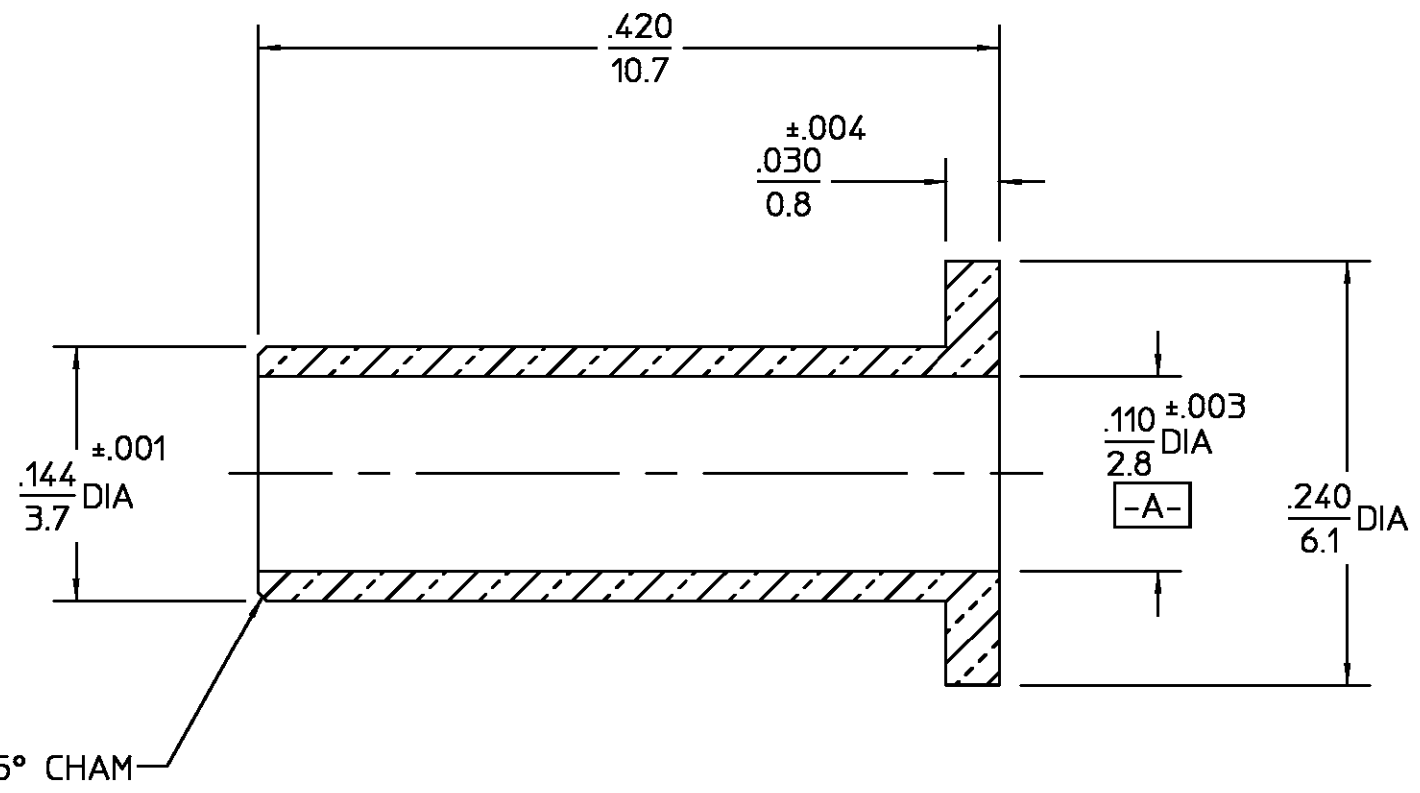
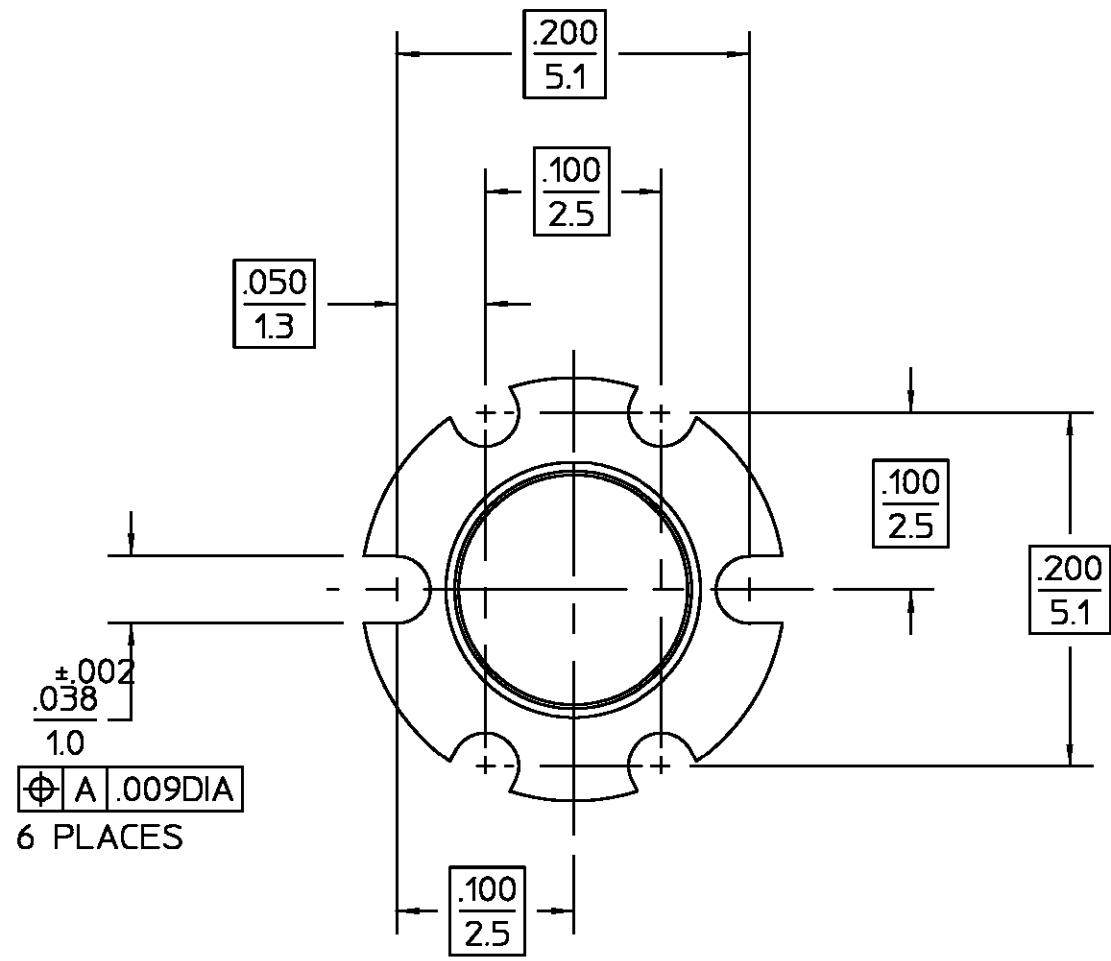


REVISIONS			
REV	DESCRIPTION	DATE	APPROVED
05 <sub>0</sub>	REVISED	4/4/94	BB



LABEL

5298-5003-94  
 (REV.) & (LOT#)  
 (YR-WK)  
 11454212 REV

TAKE REV. OFF PURCHASE ORDER

.XXX = in  
 XX.X = mm

HOUSING	BRASS PER ASTM-B-16, HALF HARD	GOLD PLATE PER MIL-G-45204 OVER NICKEL PLATE PER QQ-N-290	
COMPONENT	MATERIAL	FINISH	
UNLESS OTHERWISE SPECIFIED DIMENSIONS ARE IN INCHES TOLERANCE ON FRAC DEC ANGLES • 1/64 • .005 • °	DRAWN BY L.B. DATE 11-30-83	AMP Incorporated 140 Fourth Avenue Waltham, MA 02451-7599	
	CHECKED BY VRD DATE 1-19-84		
These drawings and specifications are the property of Omni Spectra Incorporated and shall not be reproduced or copied or used in whole or in part as the basis for the manufacture or sale of item(s) without written permission.	APPD BY JJ DATE 1-24-84	TITLE CONNECTOR BODY	
	USE ASSY PROCEDURE	SIZE B	CODE IDENT NO. 5298-5003-94
	NO. A.P. N/A	SCALE 10:1	REV 05 <sub>0</sub>
		SHEET 1 OF 1	

CUSTOMER DRAWING

AMP PART # 1044544-1  
 SHEET 1 OF 1 REV A