

# LED RGB CONTROLLER

The LED RGB Controller is designed for LED lighting color control. It can control modules, LED ribbons, LED bars, High Power LED modules and other LED lighting fixtures. The LED RGB Controller comes complete with a matched four button wireless Remote Controller and a "23A 12V" battery for the Remote Controller operation.

## FEATURES

- Four Button Wireless Remote Control
- 11 Control Modes
- Rate Control for Cycling Color Changes
- Common Anode CMOS Outputs
- Indicators for Power-On for the LED Controller, and
- Signal Sent and Received on the Remote and LED Controller respectively
- Operates up to 8 JKL LED Light Bars, reference P/N ZRS-10573-RGB

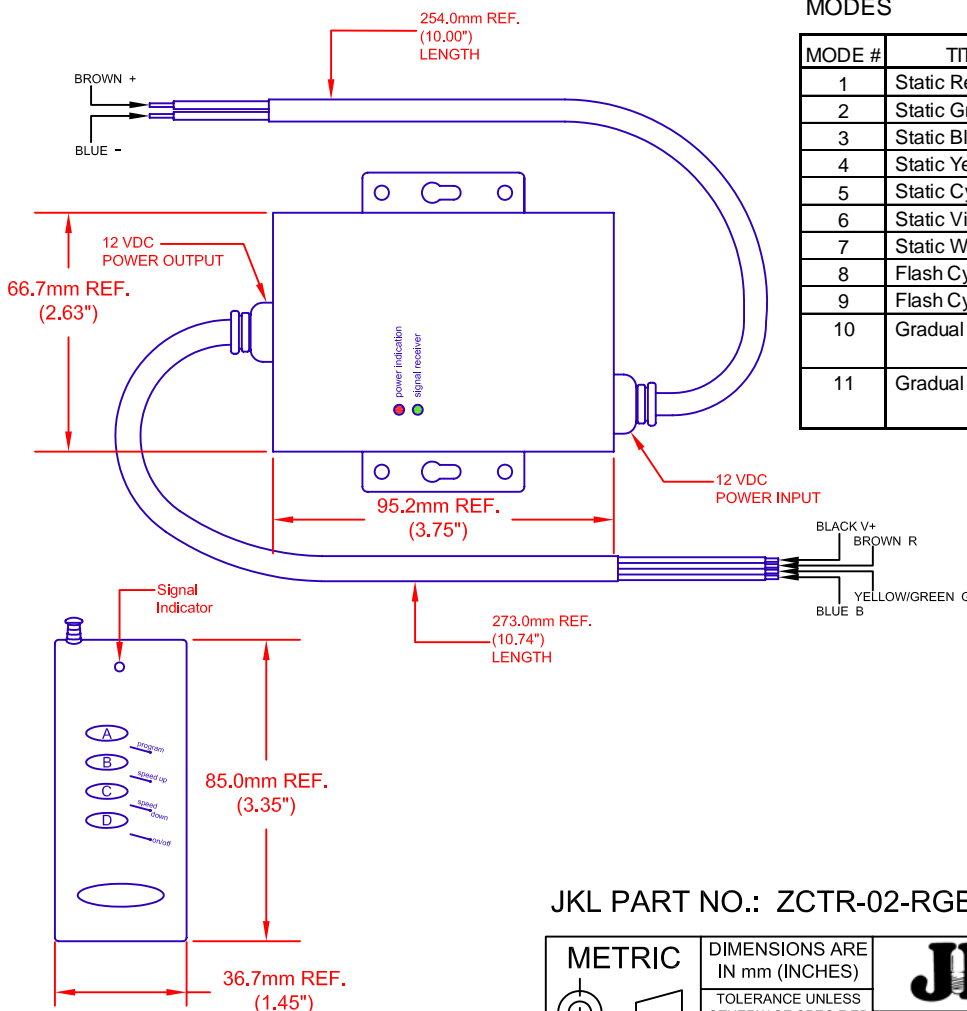


## RATINGS

CHARACTERISTICS	UNIT	MINIMUM	TYPICAL	MAXIMUM
Input Voltage	Volts DC		12	
Load Current	Amps		4	6
Operating Temperature	degrees C	-20		60

## MODES

MODE #	TITLE	DESCRIPTION
1	Static Red	The "R" output is constantly ON
2	Static Green	The "G" output is constantly ON
3	Static Blue	The "B" output is constantly ON
4	Static Yellow	The "R and G" output is constantly ON
5	Static Cyan	The "G and B" outputs are constantly ON
6	Static Violet	The "R, and B" outputs are constantly ON
7	Static White	The "R, G, and B" outputs are constantly ON
8	Flash Cycle #1	The "R, B, and G" outputs go ON and OFF in order
9	Flash Cycle #2	All the static colors come ON and OFF in a sequence
10	Gradual Cycle #1	The "R, G, and B" output go ON and OFF in order with overlap between colors
11	Gradual Cycle #2	All the static colors come ON and OFF in a sequence with overlap between colors



JKL PART NO.: ZCTR-02-RGB (REF. ONLY-T.B.D.)

<b>METRIC</b>  THIRD ANGLE PROJECTION		DIMENSIONS ARE IN mm (INCHES) TOLERANCE UNLESS OTHERWISE SPECIFIED 1 PL +/- REF. 2 PL +/- ANGLE +/-		<b>JKL COMPONENTS CORPORATION</b> TITLE <b>LED RGB CONTROLLER</b>			
DRAWN BY L. WENGSTROM	APPV'D BY L.R.	DATE 1/16/09	SIZE <b>A</b>	FSCM NO. <b>55335</b>	DRAWING NO. <b>PL-0901-02</b>	REV. NO. <b>1 OF 1</b>	
- CAD DRAWING - MANUAL REVISIONS NOT PERMITTED			SCALE <b>NONE</b>	RELEASED DATE <b>1/16/09</b>	REVISION DATE	SHEET <b>1 OF 1</b>	

REV. NO.	DESCRIPTION/ECO NUMBER	APPV'D DATE
RELEASED		1/16/09

# Mouser Electronics

Authorized Distributor

Click to View Pricing, Inventory, Delivery & Lifecycle Information:

[JKL Components:](#)

[ZCTR-01-RGB](#)