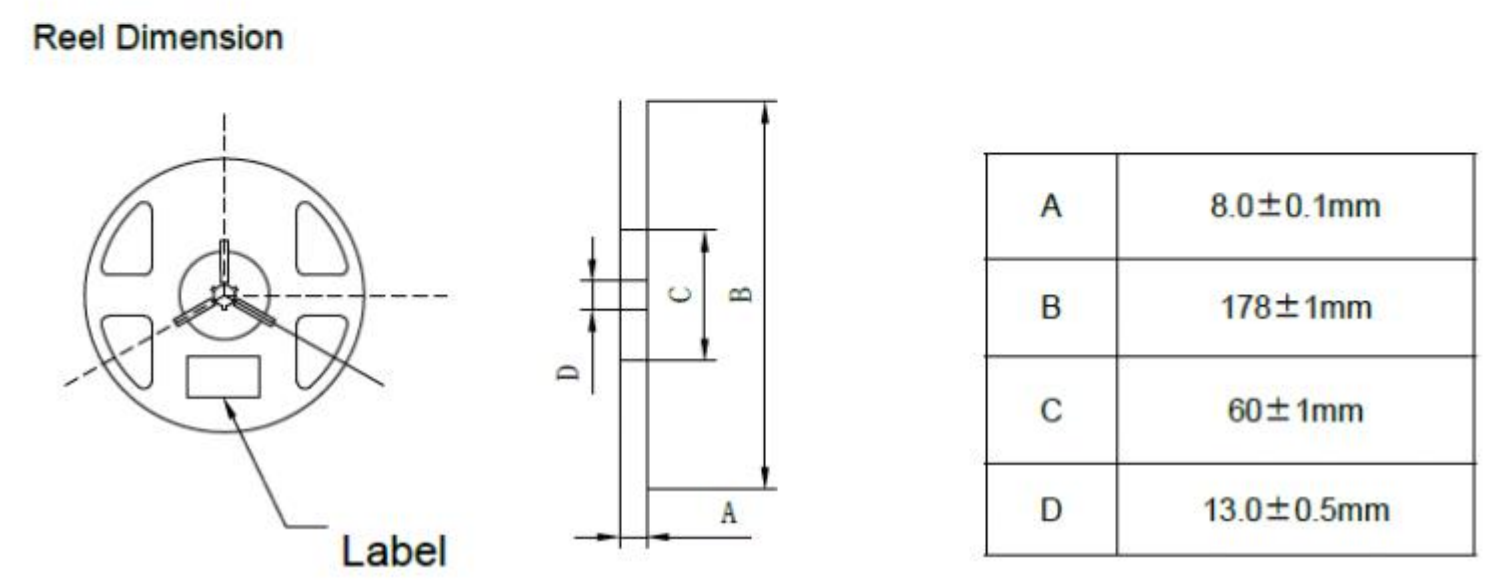
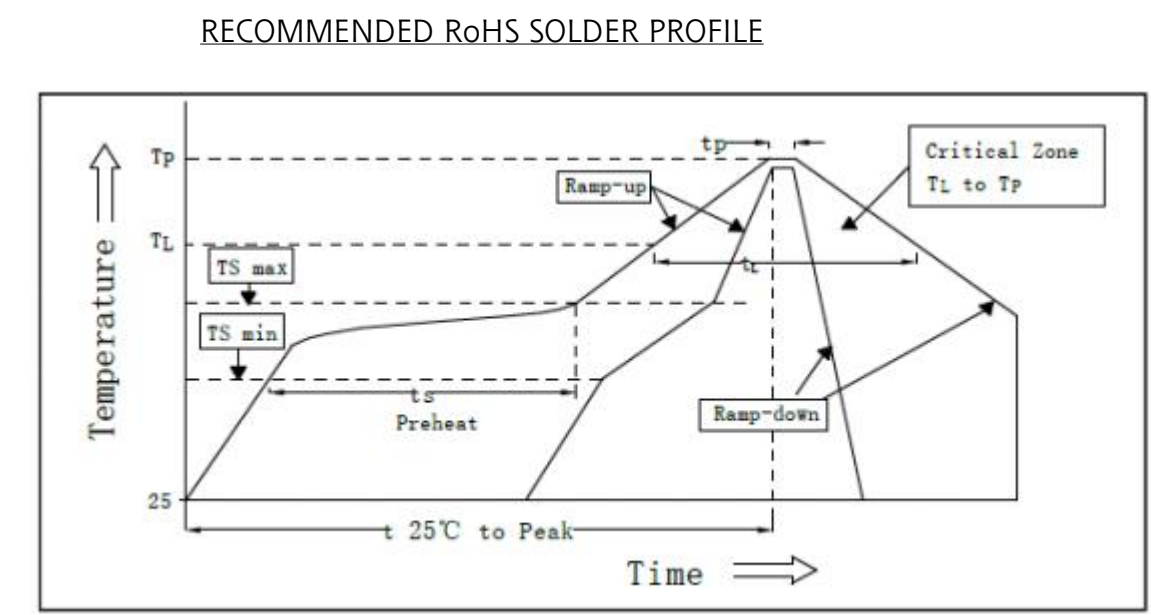
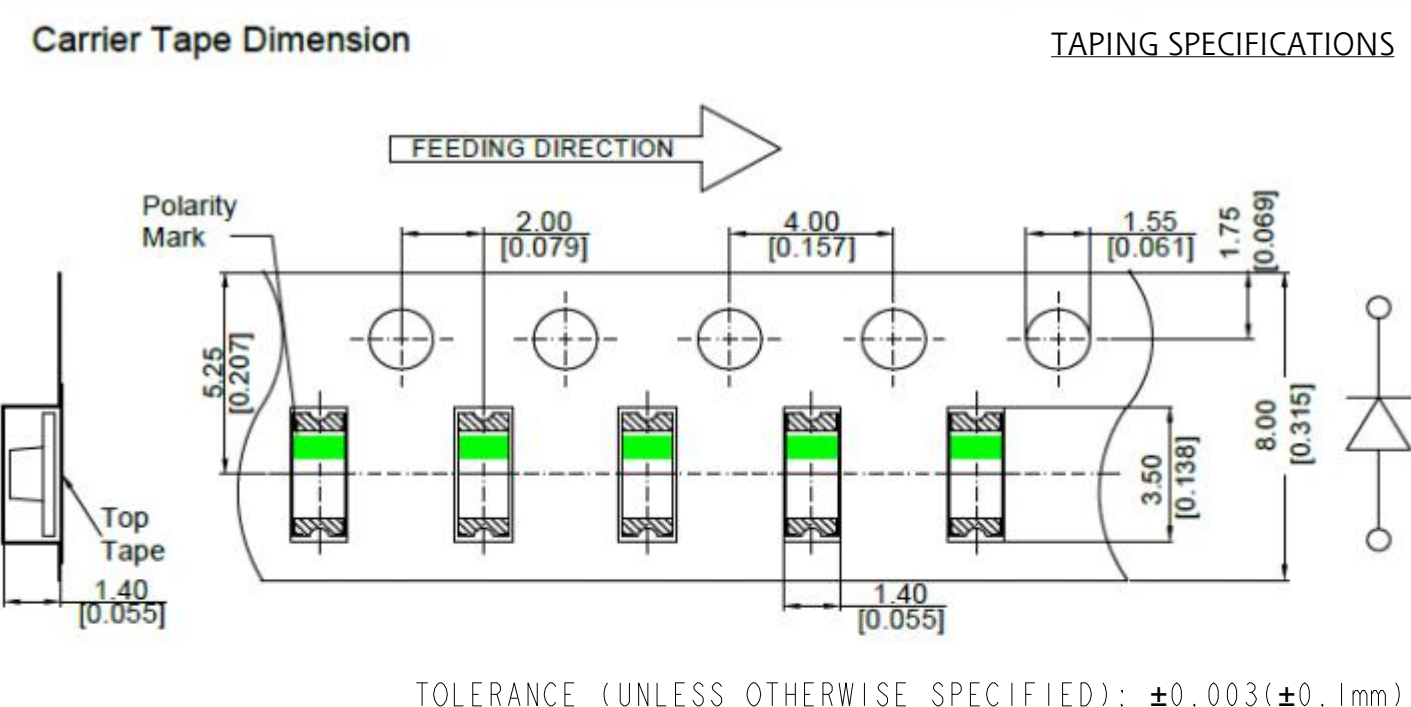
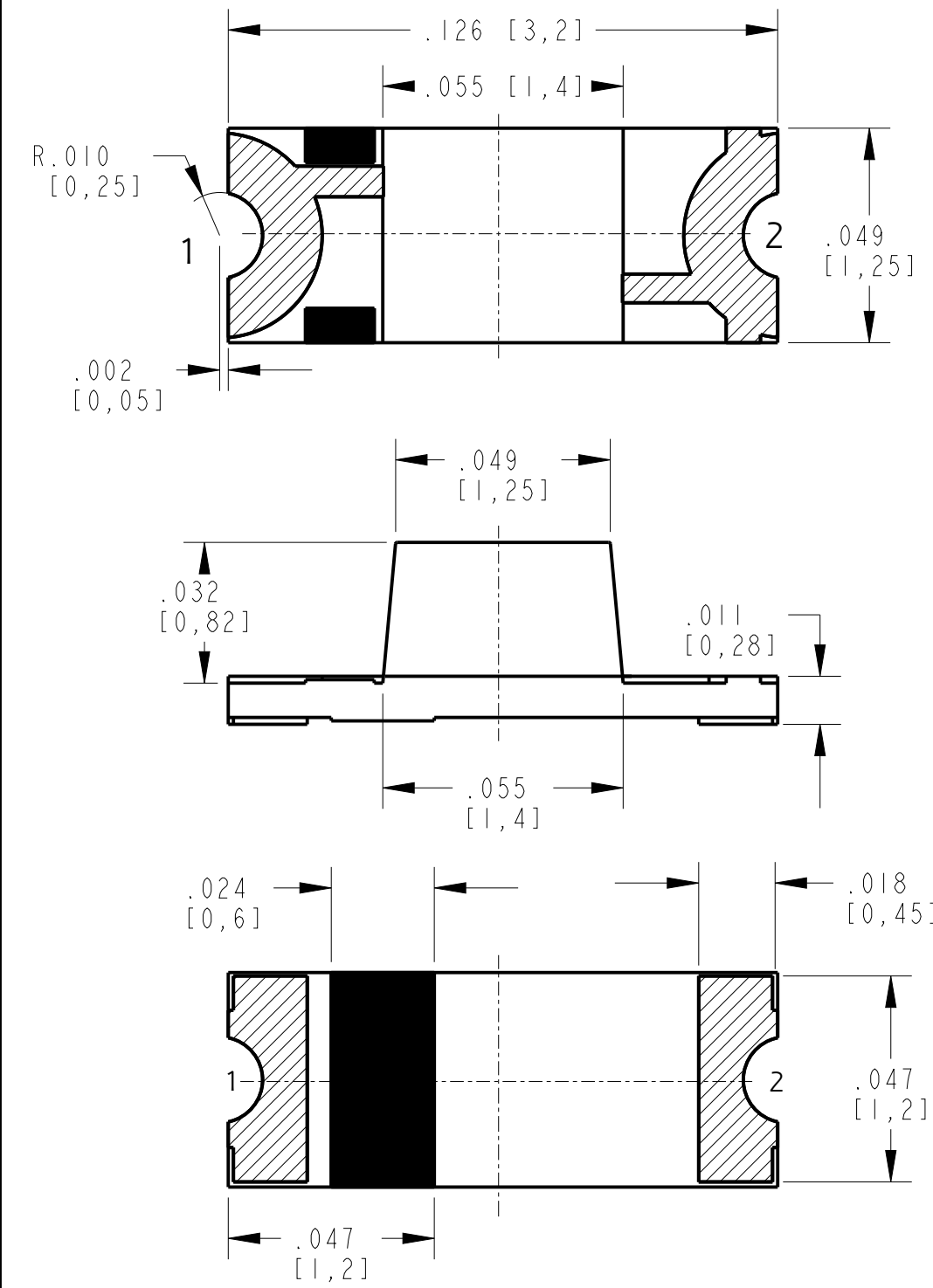


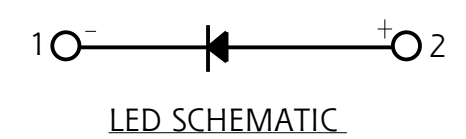
DIALIGHT PART NO.	LED COLOR TYP (nm)	LENS COLOR
599-0K10-107F	RED(632)	WATER CLEAR
599-0K20-107F	RED-ORANGE(625)	
599-0K40-107F	YELLOW(590)	
599-0K60-107F	YELLOW-GREEN(570)	
599-0K80-107F	TRUE GREEN(523)	
599-0K90-107F	BLUE(465)	

- NOTES:
- PARTS ARE TO BE SUPPLIED IN 8mm CARRIER TAPE ON 7" REEL 3000 PCS PER REEL.
  - PIN NUMBERS ARE FOR REFERENCE ONLY, DESIGNATION NON EXISTENT ON PART
  - THIS ASSEMBLY CONTAINS ELECTROSTATIC DISCHARGE DEVICES (ESDS). MAINTAIN ALL PRECAUTIONARY MEASURES DURING ASSEMBLY, HANDLING AND STORAGE IN ACCORDANCE WITH IPC-A-610
  - THIS PRODUCT IS ROHS COMPLIANT EACH BAG IS TO BE MARKED WITH ROHS COMPLIANT LABEL OR EQUIVALENT MARKINGS. LED MUST BE Pb FREE.
  - MOISTURE SENSITIVITY LEVEL IS 3

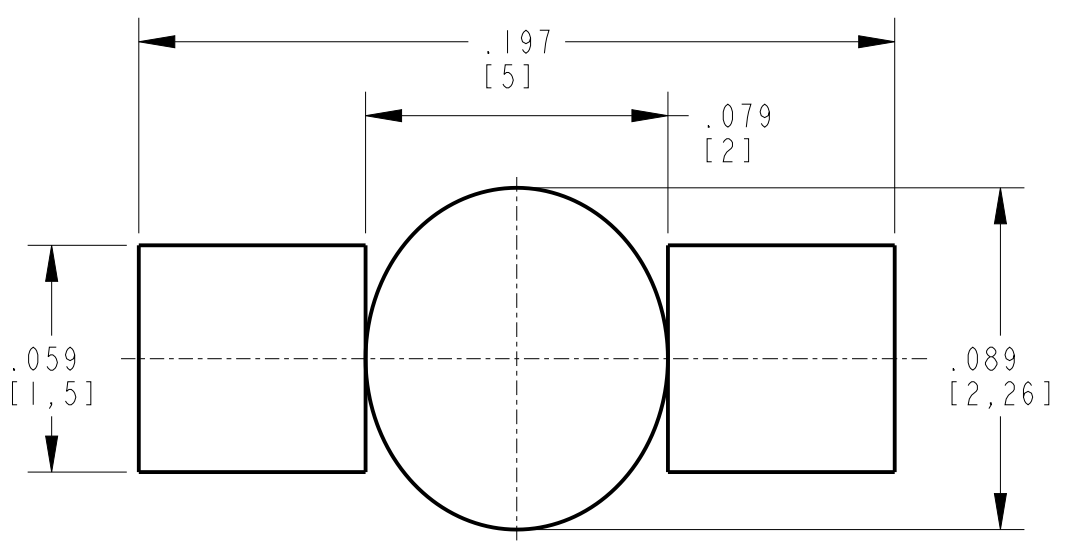
REV	ECN NO	REVISIONS	DRN	CKD	APP	DATE
A	116322	NEW RELEASE	JSG	CS	NO	25MAR24



MARK	DEFINITION	CONDITION
TS <sub>max</sub>	MAXIMUM OF PRE-HEATING TEMPERATURE	200°C
TS <sub>min</sub>	MINIMUM OF PRE-HEATING TEMPERATURE	150°C
T <sub>s</sub>	TIME FROM T <sub>smin</sub> TO T <sub>smax</sub>	60s-120s
T <sub>L</sub>	REFERENCE TEMPERATURE	217°C
t <sub>L</sub>	RETENTION TIME FOR T <sub>L</sub>	60s-150s
T <sub>P</sub>	PEAK TEMPERATURE	260°C
t <sub>P</sub>	TIME FOR PEAK TEMPERATURE	WITHIN 10s
DTr/Dt	TEMPERATURE RISING RATE	WITHIN 3°C/sec
DTd/Dt	TEMPERATURE DECREASING RATE	WITHIN 6°C/sec



ABSOLUTE MAXIMUM RATINGS AT 25°C							
LED COLOR	POWER DISSIPATION (mW)	FORWARD CURRENT (mA)	PEAK FORWARD CURRENT (mA)	OPERATING TEMPERATURE (°C)	STORAGE TEMPERATURE (°C)	DERATING CURVE (mA/°C)	ELECTROSTATIC DISCHARGE (V)
RED	72	30	60 1/10 DUTY CYCLE, 0.1ms PULSE WIDTH	-40°C TO +85°C	-40°C TO +85°C	0.417	2000
RED-ORANGE	69	30				0.417	2000
YELLOW	84	30				0.417	2000
YELLOW-GREEN	72	30				0.417	2000
TRUE GREEN	105	30				0.417	1000
BLUE	102	30				0.417	1000



OPERATING CHARACTERISTICS AT 25°C AMBIENT										
LED COLOR	TEST CONDITION (mA)	LUMINOUS INTENSITY (mcd)		FORWARD VOLTAGE (V)		DOMINANT WAVELENGTH (nm)		REVERSE CURRENT (uA)	VIEWING ANGLE (DEGREES)	THERMAL RESISTANCE °C/W
		TYP	MIN	MAX	MIN	MAX	MIN			
RED	20mA	40	200	1.8	2.4	625	640	10µA @ VR=5V	140	450
RED-ORANGE	20mA	100	250	1.8	2.3	620	630			450
YELLOW	20mA	50	200	1.8	2.8	585	595			450
YELLOW-GREEN	20mA	18	65	1.8	2.4	565	575			450
TRUE GREEN	20mA	430	900	2.8	3.5	517	530			450
BLUE	20mA	80	230	2.8	3.4	460	470			450

**ATTENTION:**  
OBSERVE PRECAUTIONS FOR HANDLING ELECTROSTATIC SENSITIVE DEVICES

THIS DRAWING AND THE CONTENTS HEREIN ARE CONFIDENTIAL AND THE SOLE PROPERTY OF DIALIGHT CORP. REPRODUCTION OF THIS DRAWING OR CONSTRUCTION OF ANY PARTS WITHIN THIS DRAWING ARE FORBIDDEN WITHOUT THE WRITTEN CONSENT OF DIALIGHT CORP.

DIALIGHT CORP. INTERNAL REFERENCE ONLY - 3D MODEL: 4500521862823-PADLA1001-A-3

SCALE: 20.000 DRAWING NUMBER: C-18743 REV: A

TOLERANCES: UNLESS OTHERWISE SPECIFIED  
 FRACTIONS: ±1/64  
 DECIMALS (.XX): ±.01  
 DECIMALS (.XXX): ±.005  
 DECIMALS (.XXXX): ±.0005  
 ANGLES: ±1°

FINISH: FSCM 83330

TITLE: REVERSE MOUNT SMD LED 3.2X1.25X1.1mm

MATERIAL:

**Dialight** 1501 ROUTE 34 SOUTH, FARMINGDALE, NJ 07727 (732) 919-3119 www.dialight.com

SHEET 1 OF 1 FAMILY TABLE: