

SAFETY ORGANIZATIONS

THIS FILTER HAS BEEN FORMALLY RECOGNIZED, CERTIFIED OR APPROVED BY THE LISTED AGENCY. THEREFORE, ALL TEST/REQUIREMENTS SPECIFIED IN THE LATEST REVISION OF THE FOLLOWING AGENCY STANDARDS HAVE BEEN MET:

UL RECOGNIZED: UL 1283
 CSA CERTIFIED: CSA C22.2, No. 8.
 VDE APPROVED: EN 60939-2

OPERATING SPECIFICATIONS

LINE CURRENT/VOLTAGE: 16 AMP, 120/250 VAC,
 16 AMP/40°C, 250 VAC

LINE FREQUENCY: 50-60Hz

MAXIMUM LEAKAGE CURRENT,
 EACH LINE TO GROUND: 0.76 mA @ 120V 60Hz
 1.27 mA @ 250V 50Hz

OPERATING AMBIENT TEMP. RANGE: -10°C TO +40°C @ RATED CURRENT, I_r .

IN AN AMBIENT, T_a , HIGHER THAN 40°C, THE MAXIMUM OPERATING CURRENT, I_o , IS AS FOLLOWS:

$$I_o = I_r \sqrt{\frac{100 - T_a}{60}}$$

RELIABILITY SPECIFICATIONS:

STORAGE TEMPERATURE: -40°C TO +100°C
 HUMIDITY: 21 DAYS @ 40°C 95% RH.
 CURRENT OVERLOAD TEST: 6 TIMES I_r FOR 8 SECONDS

TEST SPECIFICATIONS:

INDUCTANCE: 0.54 mH NOMINAL
 CAPACITANCE: (MEASURED @ 1KHz, 0.250VAC MAX., 25°C±1°C)
 LINE TO GROUND: 0.02 µF ±20%
 LINE TO LINE: 0.475 µF ±20%
 DISCHARGE RESISTOR: 680K Ω
 L/G AND L/L I.R. NO DISCHARGE RESISTOR: 6000M Ω (MIN.) @ 100VDC, 20°C AND 50% RH

RECOMMENDED RECEIVING INSPECTION HIPOT:

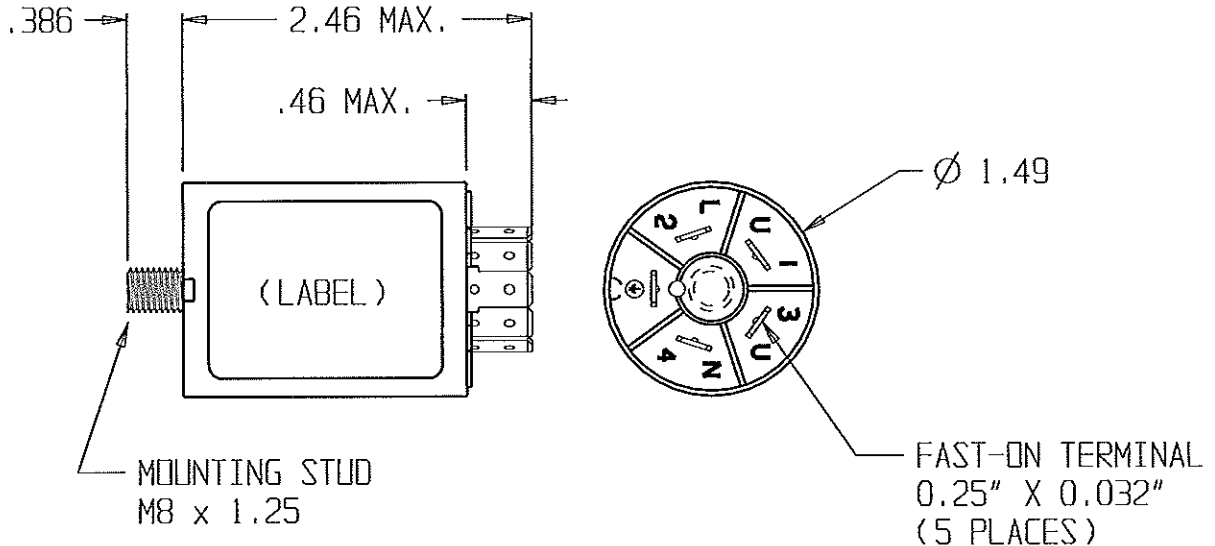
LINE TO GROUND: 1500 VAC FOR 1 MINUTE
 LINE TO LINE: 1450 VDC FOR 1 MINUTE

FILTER APPROVAL:

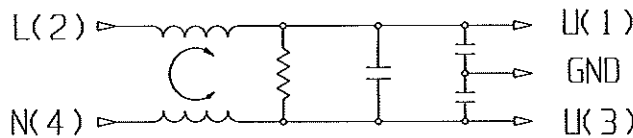
THE BEST WAY TO SELECT AND QUALIFY A FILTER IS FOR YOUR ENGINEERING TO TEST THE UNIT IN YOUR EQUIPMENT.

CATALOG # 16WGA1

ECN #	APPRVD.	DATE
09-020711	<i>PJO</i>	18SEP09



SCHMATIC



50Ω - 50Ω (TYPICAL) INSERTION LOSS											THIRD ANGLE PROJECTION		 CORCON PRODUCTS, 620 S. BUTTERFIELD RD. MANOLEIN IL 60060		
FREQUENCY MHz	.05	.1	.15	.5	1	2	5	10	20	30	UNLESS OTHERWISE SPECIFIED, TOLERANCE TO BE ±.025 MATERIAL & FINISH: AS SUPPLIED		POWER LINE FILTER		
COMMON dB	3	10	14	31	40	47	53	55	43	36	THIS DOCUMENT IS PROPRIETARY TO CORCON INC. AND IS NOT TO BE REPRODUCED NOR USED FOR MANUFACTURING PURPOSES EXCEPT ON CORCON'S PRIOR WRITTEN CONSENT.		TYCO ELECTRONICS PART NO: 2-1609089-4		
DIFF. dB	13	19	23	33	40	53	51	42	53	53	SCALE: 0.75	DATE: 20OCT04	CATALOG NO. 16WGA1	REV. 2	
											DRW. BY: PJO	DRG: PJO			

Mouser Electronics

Authorized Distributor

Click to View Pricing, Inventory, Delivery & Lifecycle Information:

[TE Connectivity:](#)

[16WGA1](#) [2-6609089-4](#)