
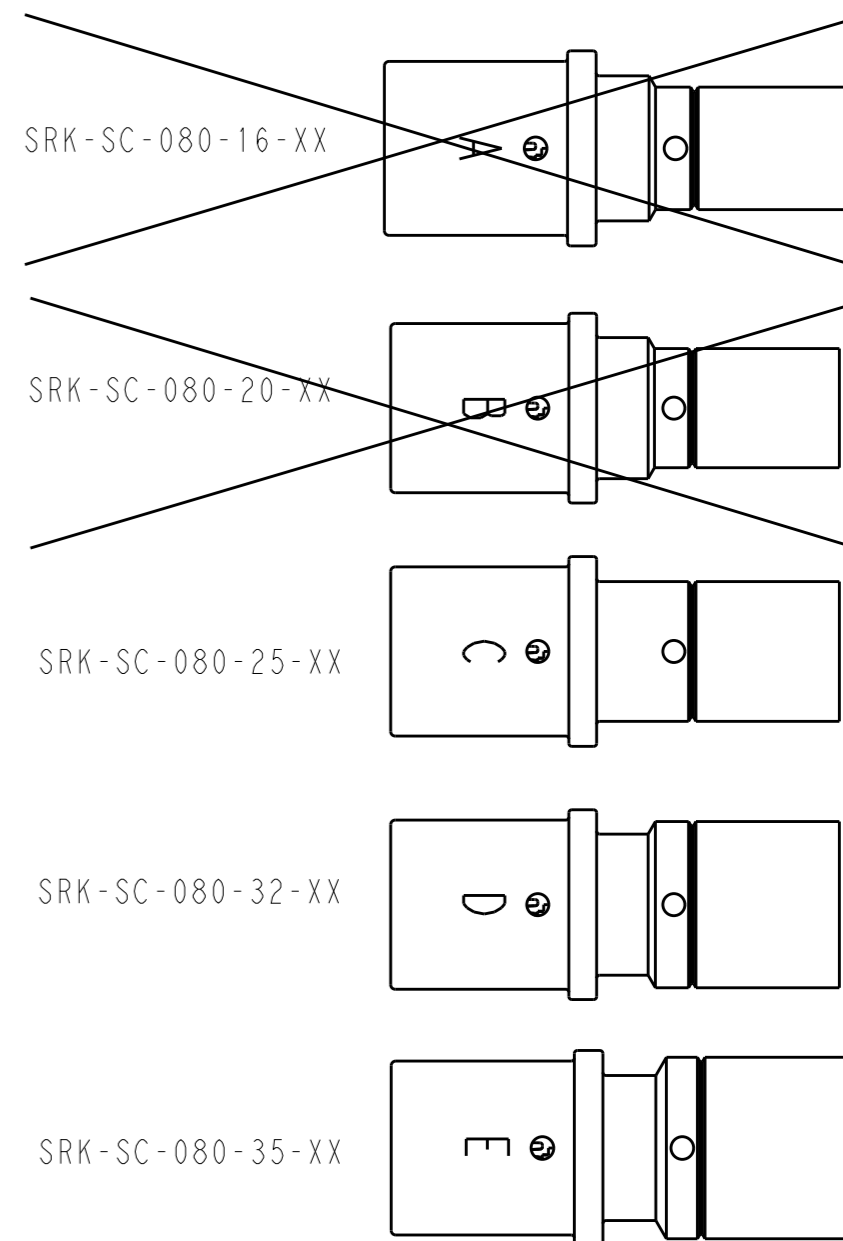
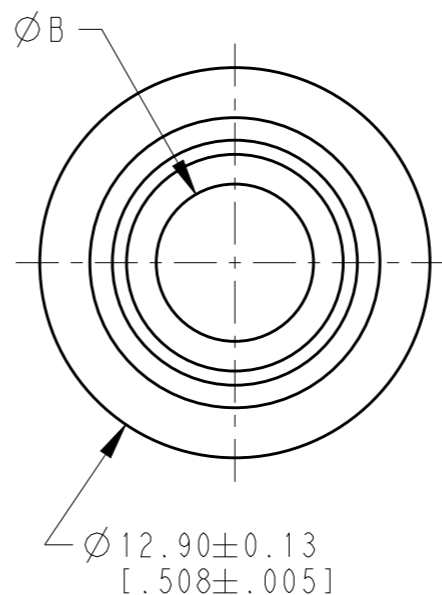
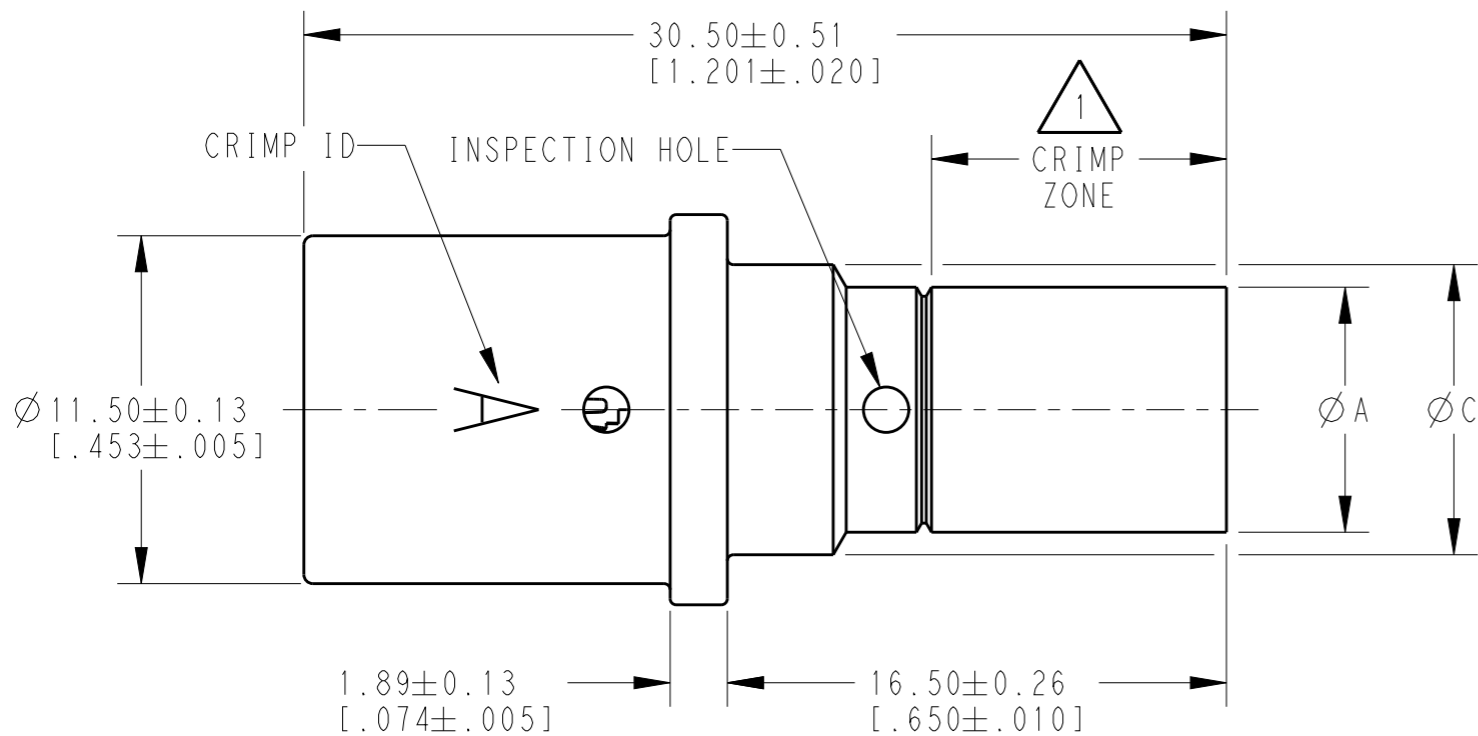





THIS DRAWING IS UNPUBLISHED  
 RELEASED FOR PUBLICATION 2015  
 © COPYRIGHT 2010 BY TE CONNECTIVITY ALL RIGHTS RESERVED.


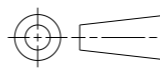

LOC	DIST	REVISIONS			
P	LTR	DESCRIPTION	DATE	DWN	APVD
	NC	NEW RELEASE PER E.O. P20459	05MAR2010	DM	RDR
	A	REVISED PER E.O. P20612	09SEP2010	DM	RDR
	A1	REVISED PER ECO-15-012830	17SEP2015	JA	DM

PART NUMBER	CRIMP ID	∅A ±.13 [.005]	∅B ±.13 [.005]	∅C ±.13 [.005]	CONDUCTOR WIRE SIZE REF 	WEIGHT REF GR [OZ]
SRK-SC-080-16-XX	A	8.10 [.319]	5.20 [.205]	9.59 [.378]	16mm <sup>2</sup> 6 AWG	12.53 [.442]
SRK-SC-080-20-XX	B	8.10 [.319]	5.80 [.228]	9.59 [.378]	5 AWG	11.91 [.420]
SRK-SC-080-25-XX	C	9.50 [.374]	6.90 [.272]	9.50 [.374]	25mm <sup>2</sup> 4 AWG	12.76 [.450]
SRK-SC-080-32-XX	D	11.30 [.445]	8.00 [.315]	9.59 [.374]	2 AWG	14.59 [.515]
SRK-SC-080-35-XX	E	12.00 [.472]	8.90 [.350]	9.59 [.374]	35mm <sup>2</sup>	14.55 [.513]



-  WHEN XX = 601: PLATING IS SILVER AND MAY TARNISH.
-  MATERIAL: SOCKET BODY & INSERT: COPPER.
-  FOR CRIMPING INFORMATION SEE DRAWING 8925-003-0000.

NOTES: UNLESS OTHERWISE SPECIFIED

THIS DRAWING IS A CONTROLLED DOCUMENT.		DWN 05MAR2010 DAVID MEYER		 TE Connectivity															
DIMENSIONS: mm [INCHES]		CHK 09SEP2010 DAVID MEYER																	
TOLERANCES UNLESS OTHERWISE SPECIFIED:		APVD 09SEP2010 ROBIN REED		NAME CONTACT, SOCKET 8mm DIA SRK SERIES															
<table border="0"> <tr><td>0 PLC</td><td>±</td></tr> <tr><td>1 PLC</td><td>±</td></tr> <tr><td>2 PLC</td><td>±0.64 [.025]</td></tr> <tr><td>3 PLC</td><td>±</td></tr> <tr><td>4 PLC</td><td>±</td></tr> <tr><td>ANGLES</td><td>±</td></tr> <tr><td></td><td>±0°30'0"</td></tr> </table>		0 PLC	±	1 PLC	±	2 PLC	±0.64 [.025]	3 PLC	±	4 PLC	±	ANGLES	±		±0°30'0"	PRODUCT SPEC N/A		SIZE A3	
0 PLC	±																		
1 PLC	±																		
2 PLC	±0.64 [.025]																		
3 PLC	±																		
4 PLC	±																		
ANGLES	±																		
	±0°30'0"																		
MATERIAL 		APPLICATION SPEC 8925-003-0000		CAGE CODE 4AFU8															
FINISH 		WEIGHT		DRAWING NO SRK-SC-080-16/35-XX															
		Customer Drawing		RESTRICTED TO -															
				SCALE 2:1															
				SHEET 1 OF 1															
				REV A1															