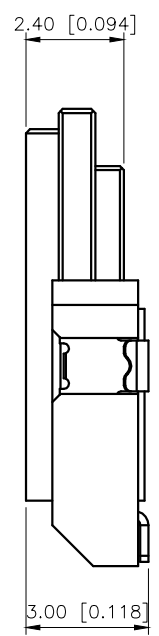
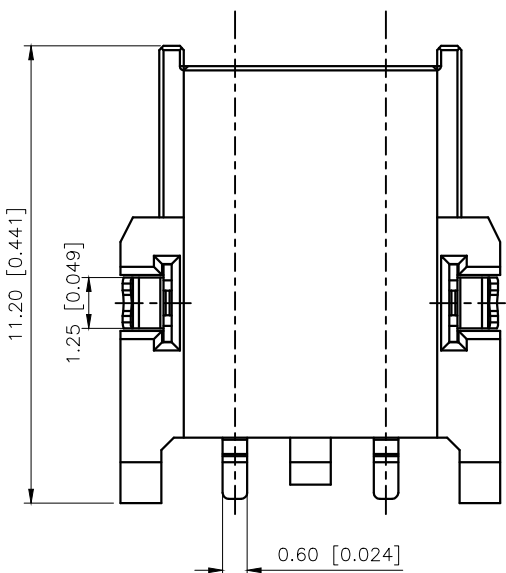
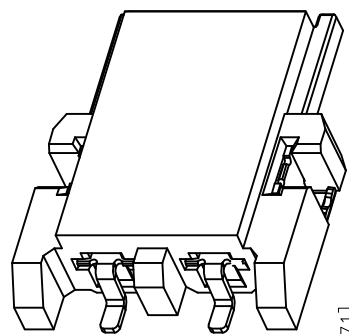
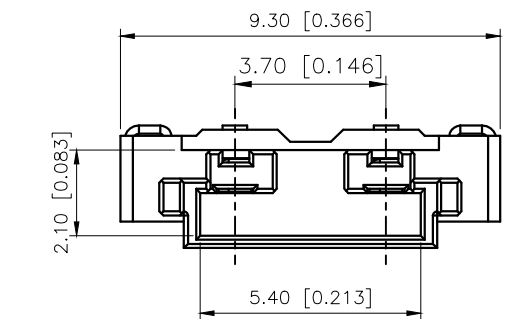
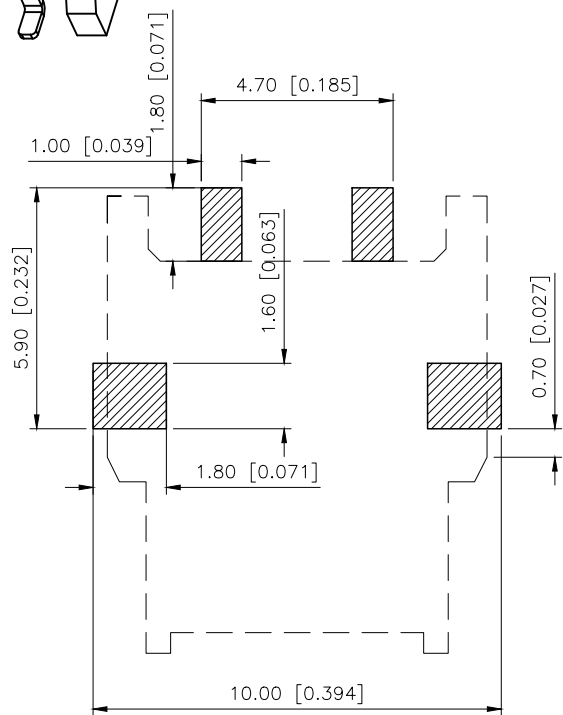


REVISIONS					
REV.	ECN NO.	LOCATION	DESCRIPTION	DATE	DESIGN
A0	N/A		INITIAL RELEASE	/	/
A1	N/A		图面升级整理图面	2025.2.28	阿树



0.10
SMT 贴面



PCB LAYOUT

Specifications:
Voltage rating:500V AC/DC
Current rating:2A AC/DC
Withstanding voltage:1500V AC/minute
Temperature range: -40 ~85°C
Insulation resistance:≥1000MΩ
Contact resistance:≤40mΩ
After environmental testing:≤80mΩ

PART NO.:

X3700 W M-02 HF-LP SN
① ② ③ ④ ⑤ ⑥ ⑦

- ①Series Number.
- ②Category:W-Wafer
- ③Welding Board Angle:M-Male
- ④Row No.-Pin No.:02-Single Row
- ⑤Plug the Pin&Special No.:HF-Halogen Free
- ⑥Material:LP-LCP 94V-0
- ⑦Plating Category:SN-Bright Tin Plating

X3700WM-02HF-LPSN	LCP UL 94V-0 Halogen Free	Phosphor Bronze	Matte Tin-Plated	Phosphor Bronze	Matte Tin-Plated	X3700WF
PART NO	Material	Material(Pin)	Finish(Pin)	Material (Solder Tab)	Finish (Solder Tab)	Mates With Housing

AuGLAR	±5°
X.	±0.40
X.x	±0.30
X.xx	±0.20
X.xxx	±0.15
UNSPECIFIED TOLERANCES	



DESIGN	阿树	VIEW:	
CHECKED		UNIT:	mm/in
APPROVED		SIZE:	A4

MODEL TYPE:	3.70mm BTB Style Connectors
PART NO.:	X3700WM-02HF-LPSN
DWG NO.:	