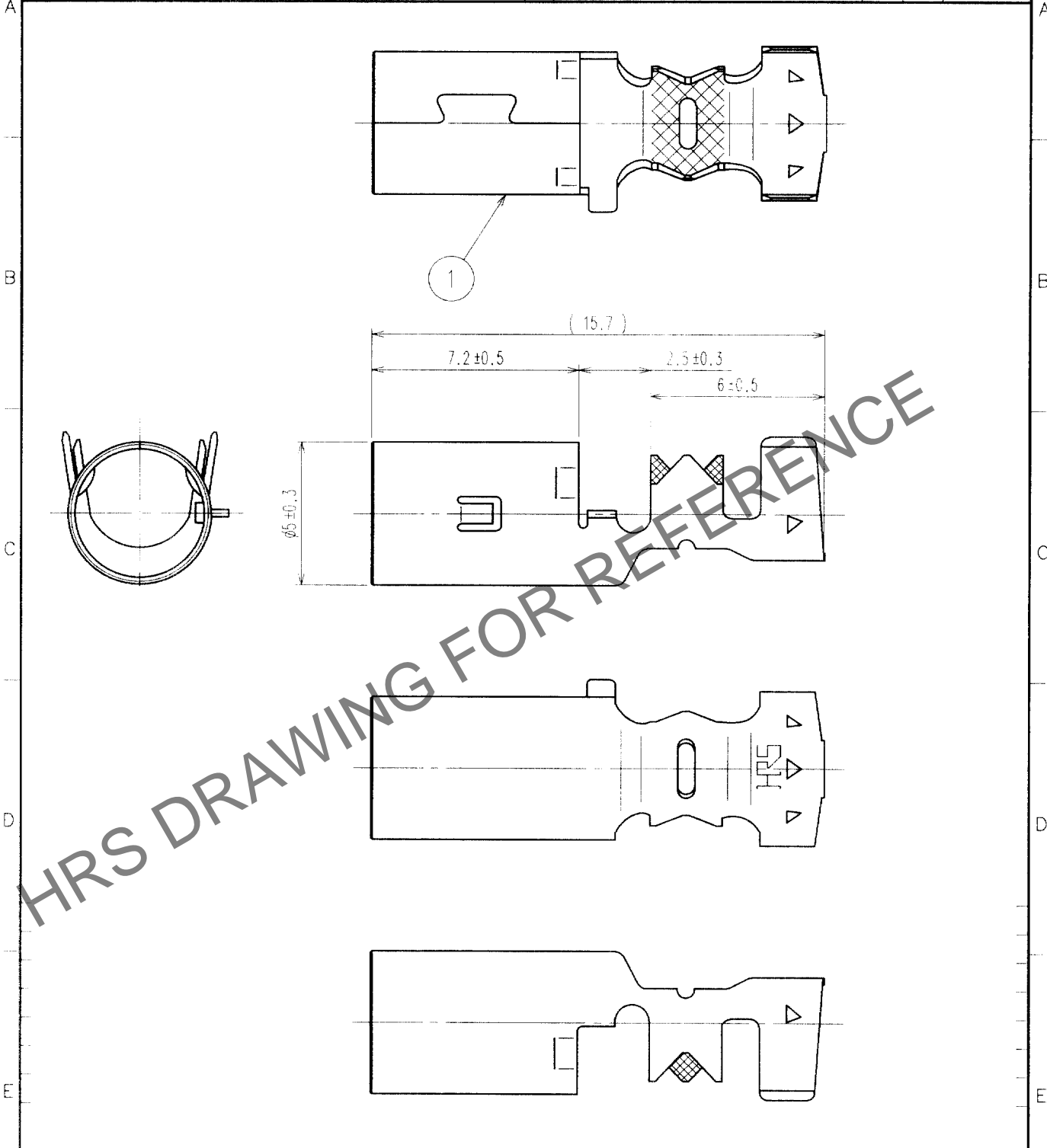


Jul.1.2024 Copyright 2024 HIROSE ELECTRIC CO., LTD. All Rights Reserved.
 In case of consideration for using Automotive equipment / device which demand high reliability, kindly contact our sales window correspondents.

1		2			3			4		
COUNT	DESCRIPTION OF REVISIONS	BY	CHKD	DATE	COUNT	DESCRIPTION OF REVISIONS	BY	CHKD	DATE	
△					△					
△					△					
△					△					



1	PHOSPHOR BRONZE	TIN PLATED , T=0.25				
NO.	MATERIAL	FINISH, REMARKS	NO.	MATERIAL	FINISH, REMARKS	
CODE NO. (OLD)			DRAWN	DESIGNED	CHECKED	APPROVED
			T.SHISHIKURA	T.SHISHIKURA	<i>N. Hamaguchi</i>	<i>K. Sato</i>
			'03 .5 .26	'03 .5 .26	03.5.26	03.5.28
			RELEASED			
DRAWING NO. EDC4-165706			PART NO. GT16-1.6-2.9SC			
CODE NO. HRS HIROSE ELECTRIC CO., LTD.			CODE NO. CL766-0003-8			1/1

TO