

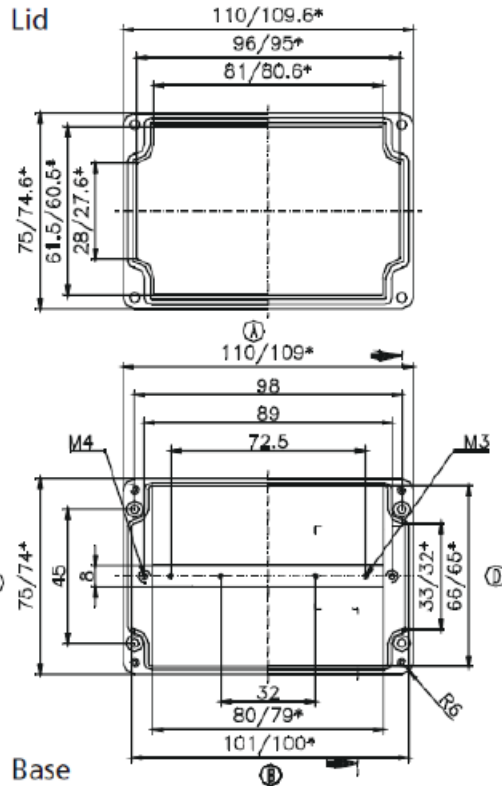
Type: **020811060**

External dimensions: **75 x 110 x 56 mm**

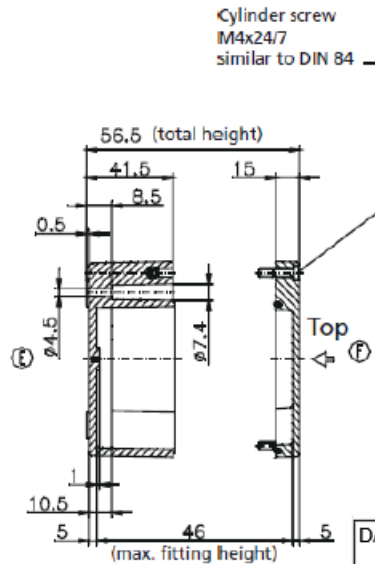
Weight: **350 g**

DIN rail length in mm	max. fitting length in mm	Mounting plate (thickness in mm)	External mounting brackets	External hinge* set	EMC version	Allen lid screws	Silicone lid seal	Sealable lid screws
TS 15								
98	79	2	•		•	•	•	•

Maximum number of cable glands to DIN 50262*							
M	Corner dim.	Side		PG	Corner dim.	Side	
		A/B	C/D			A/B	C/D
12	17.25	10	3	7	17.25	10	3
16	25.30	4	1	9	21.85	6	1
20	27.60	3	1	11	25.30	4	1
25	37.95	2		13.5	27.60	3	1
32	48.30			16	31.05	3	1
40	60.95			21	37.95	2	
50	69.00			29	48.30		
63	74.75			36	60.95		
				42	69.00		
				48	74.75		



* = Conical form tapering downwards
Free dimensions-tolerance to DIN 16901 - 130



DATE	17 MAY 2017	7330 Executive Way Frederick, MD 21704 (301) 696-9411 voice (301) 696-9494 fax	
SHEET	1		
DESCRIPTION	ENCLOSURE, STANDARD, FIBERGLASS 75 X 110 X 56MM, RAL 7000		
SIZE	DRAWING NUMBER	020811060	REV
A			-