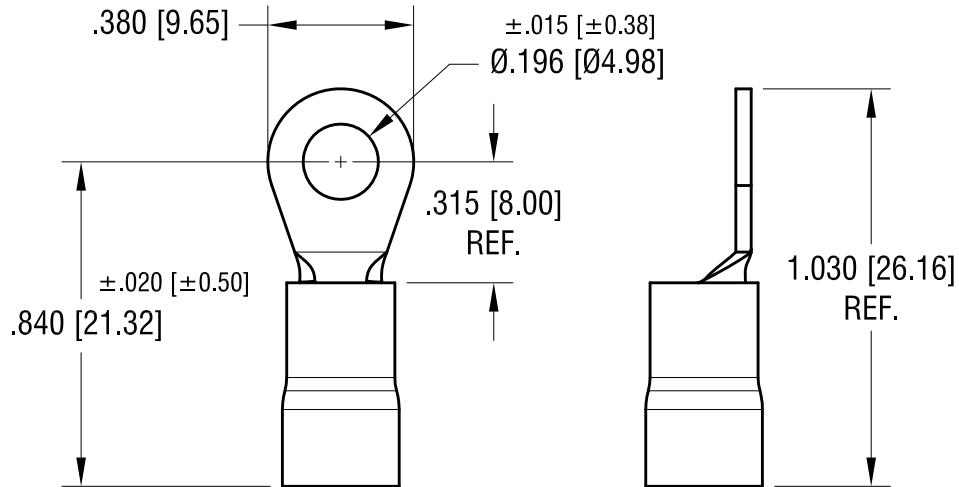
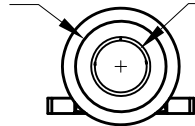


THIS DOCUMENT IS THE PROPERTY OF
KEYSTONE ELECTRONICS CORP. AND
SHALL NOT BE REPRODUCED, DISTRIBUTED
OR USED AS A BASIS FOR MANUFACTURE
WITHOUT PRIOR WRITTEN PERMISSION
FROM KEYSTONE ELECTRONICS CORP.

ACTUAL SIZE



Ø.236 [Ø6.00] MAX.
WIRE INSULATION DIA.



Ø.135 [Ø3.43]
TERMINAL I.D.

NOTE:

1. TERMINAL: .040 [1.02] TH'K COPPER, TIN PLATE
INSULATOR: VINYL, YELLOW
2. ACCOMMODATES WIRE RANGE 12/10 AWG

KEYSTONE ELECTRONICS CORP.

www.keyelco.com • NEW HYDE PARK NY 11040 • Tel (516)328-7500

PART NAME

INSULATED RING TONGUE TERMINAL

MATERIAL

AS NOTED

FINISH

AS NOTED

DRN BY

BOONE

DATE

10.19.07

APP'D

RH

SCALE

2X

TOLERANCES

INCH [MM]

DECIMAL ±.010 [±0.25]

CODE

C

ANGULAR ± 1°
UNLESS OTHERWISE SPECIFIED

DWG NO.

8217

4.04.23 NEW TOOLING
CHANGE AS PER ECN 23-043

A

REV.

DATE

DESCRIPTION