

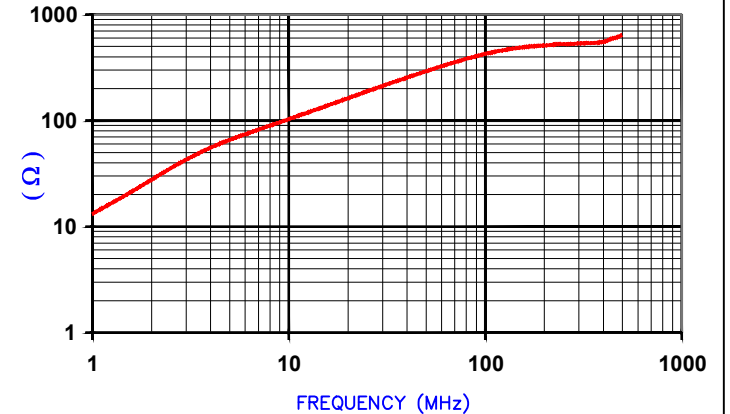
CORE DIMENSIONS:

|   |               |   |             |
|---|---------------|---|-------------|
| A | 51.31 [2.020] | ± | 0.77 [.030] |
| B | 25.40 [1.000] | ± | 0.38 [.015] |
| C | 39.67 [1.562] | ± | 0.77 [.030] |
| D | 25.65 [1.010] | ± | 0.30 [.012] |

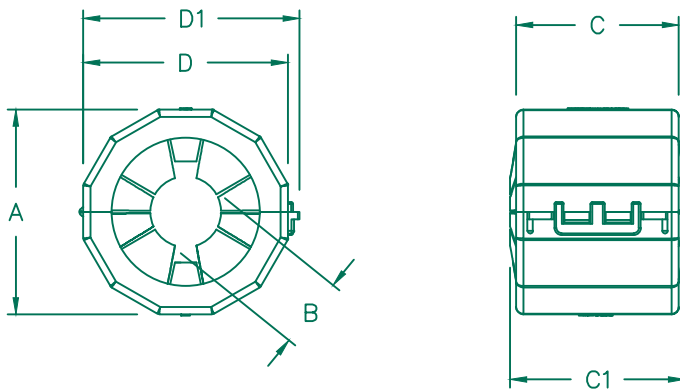


| IMPEDANCE ( Z ) |        |         |         |
|-----------------|--------|---------|---------|
| Frequency       | 25 MHz | 100 MHz | 300 MHz |
| Nominal (REF)   | 187 Ω  | 425 Ω   | 533 Ω   |
| Minimum         | - Ω    | 340 Ω   | - Ω     |

Z vs. FREQUENCY  
(REF. ONLY)



AGILENT E4991A Impedance/Material Analyzer  
HP 16092A-Test Fixture. TEST REF. 5108




CASE DIMENSIONS:

|    |               |   |      |
|----|---------------|---|------|
| A  | 56.64 [2.230] | ± | REF. |
| B  | 19.50 [.768]  | ± | REF. |
| C  | 45.00 [1.772] | ± | REF. |
| C1 | 48.34 [1.903] | ± | REF. |
| D  | 56.63 [2.230] | ± | REF. |
| D1 | 59.83 [2.356] | ± | REF. |

NOTES:

1. ASSEMBLED PART #: 28A5131-0A2
2. CASE COLOR: BLACK-0A2.
3. CASE FLAMMABILITY RATING: UL94 V-0.
4. CASE MATERIAL: Halogen Free Nylon
5. COSMETIC SPECIFICATION REFER TO WI-QA-038.

| DIMENSIONS ARE IN mm [INCHES]. |   |          |     | This print is the property of Laird Tech. and is loaned in confidence subject to return upon request and with the understanding that no copies shall be made without the written consent of Laird Tech. All rights to design or invention are reserved. |               |        |        |           |         |
|--------------------------------|---|----------|-----|---|---------------|--------|--------|-----------|---------|
| F                              | UPDATE COMPANY LOGO , ADD NOTE 5  | 08/23/14 | QIU |    |               |        |        |           |         |
| E                              | UPDATE COMPANY LOGO ADD NOTES 3&4   | 01/26/09 | JRK |   |               |        |        |           |         |
| D                              | UPDATE 100MHz MINIMUM VALUE   | 07/17/07 | TMB |   |               |        |        |           |         |
| C                              | UPDATE COMPANY LOGO   | 04/17/07 | TMB |   |               |        |        |           |         |
| B                              | CHANGE CASE TOLERANCES TO REF. REMOVE CORE & CASE P/N REFERENCE REMOVE ISO VIEW AND NOTES "2" & '3" | 10/18/06 | TMB |   |               |        |        |           |         |
| A                              | ORIGINAL DRAFT  | 09/13/05 | TMB | PROJECT/PART NUMBER:<br><b>28A5131-0A2</b>  |               |        |        |           |         |
| REV                            | DESCRIPTION   | DATE     | INT | DATE:   | 09/13/05      | SCALE: | N.T.S. | MATERIAL: | Ferrite |
|                                |   |          |     | CAD #   | 28A5131-0A2-F | TOOL # | -      |           |         |