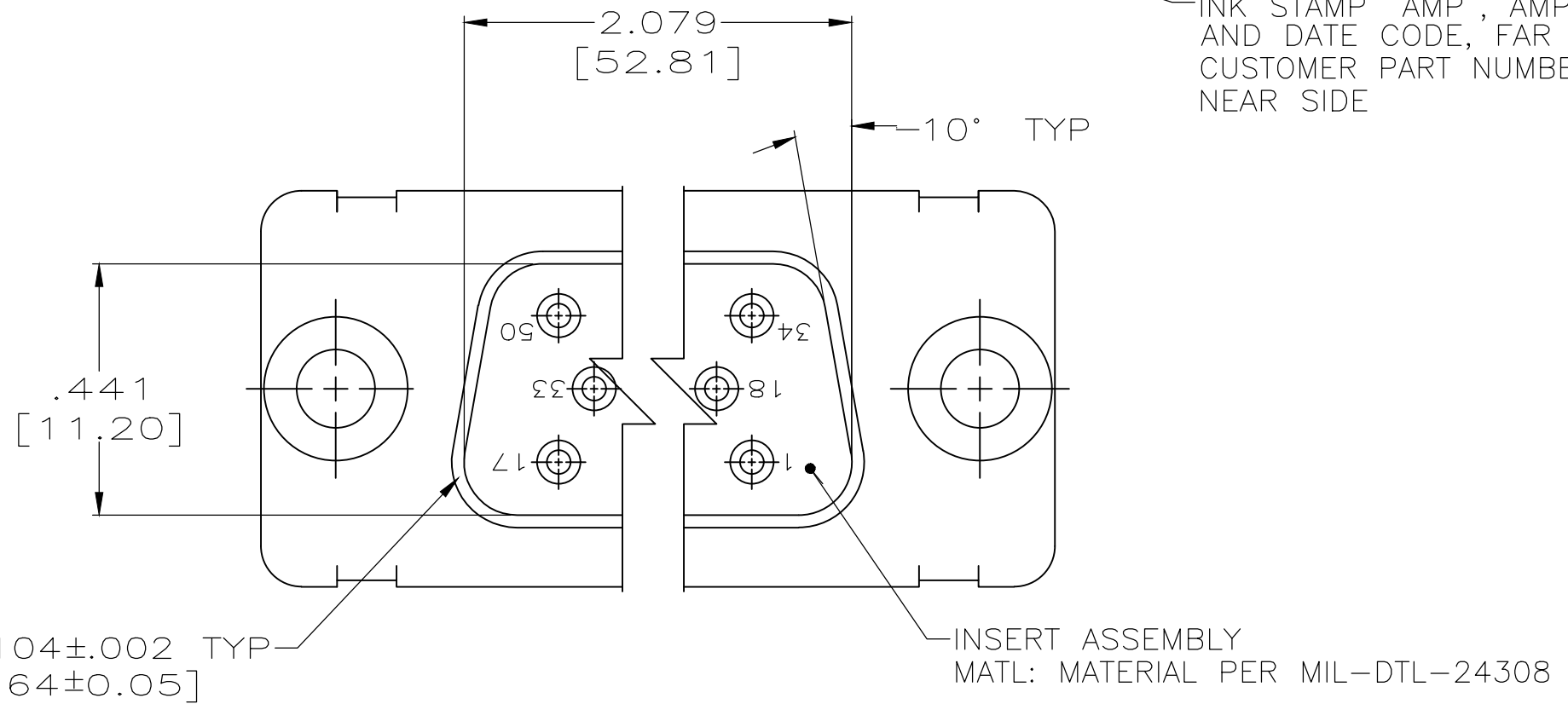
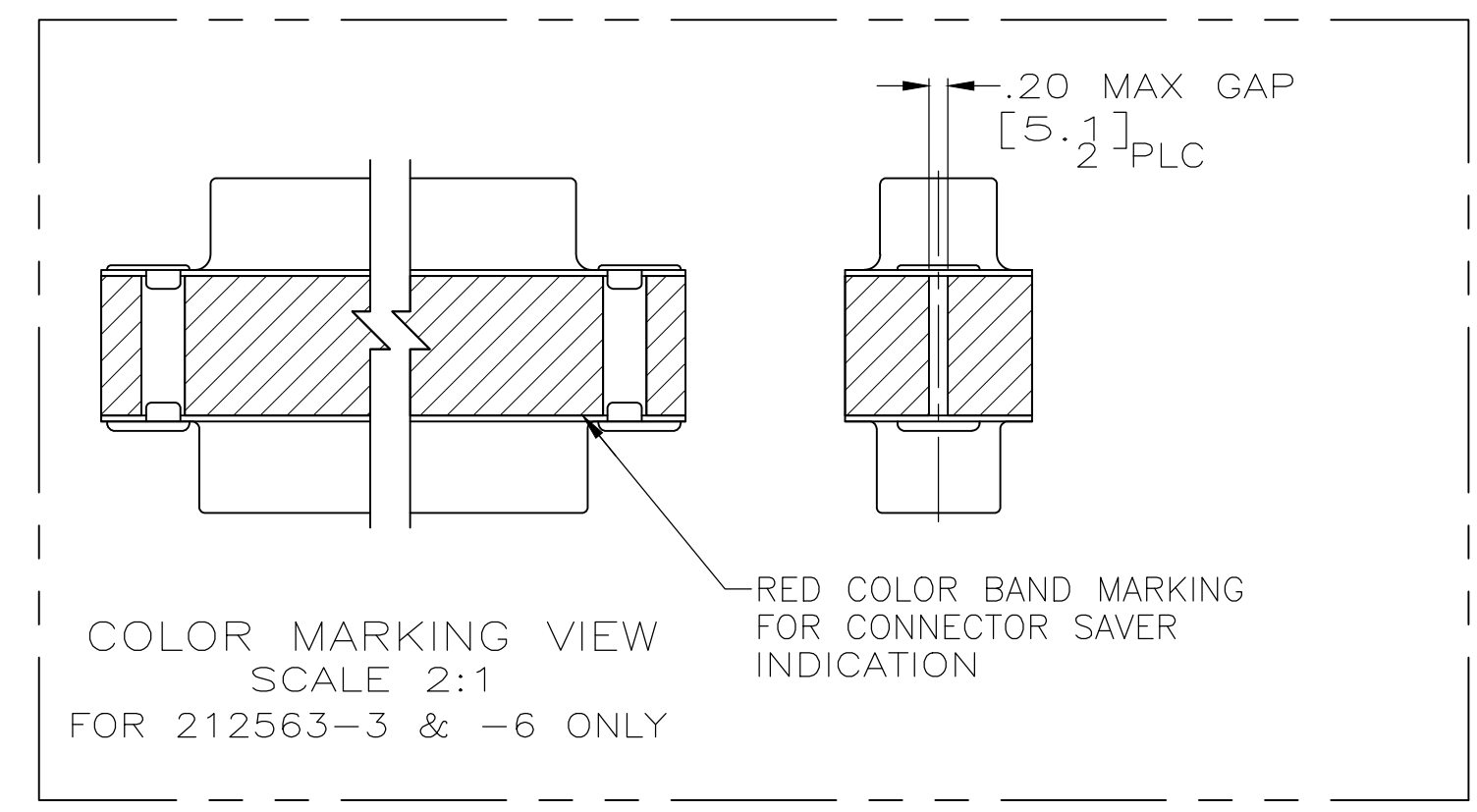
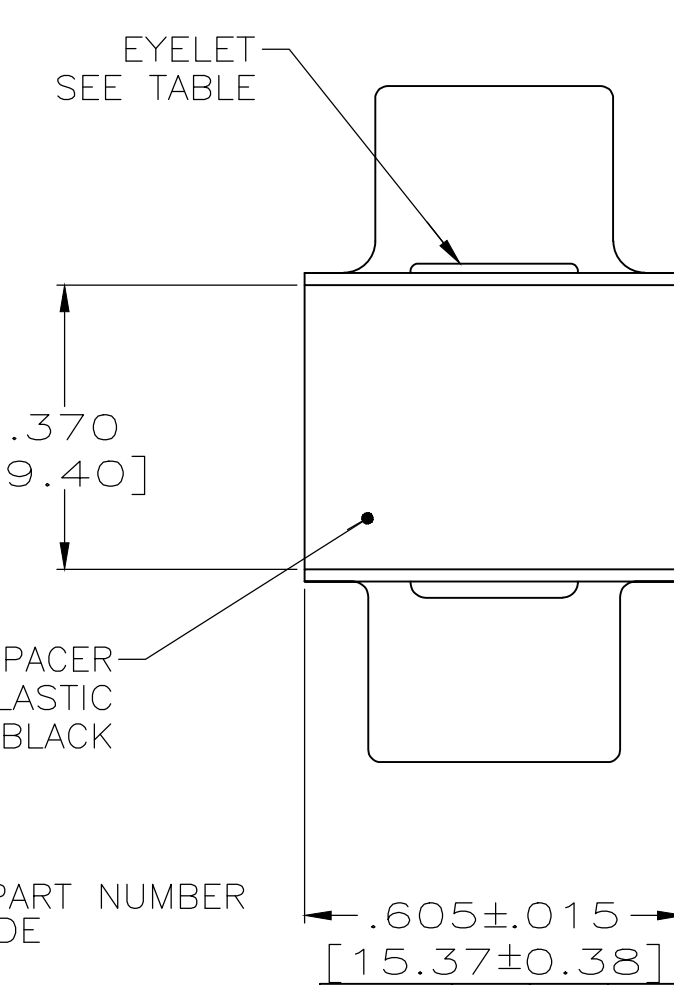
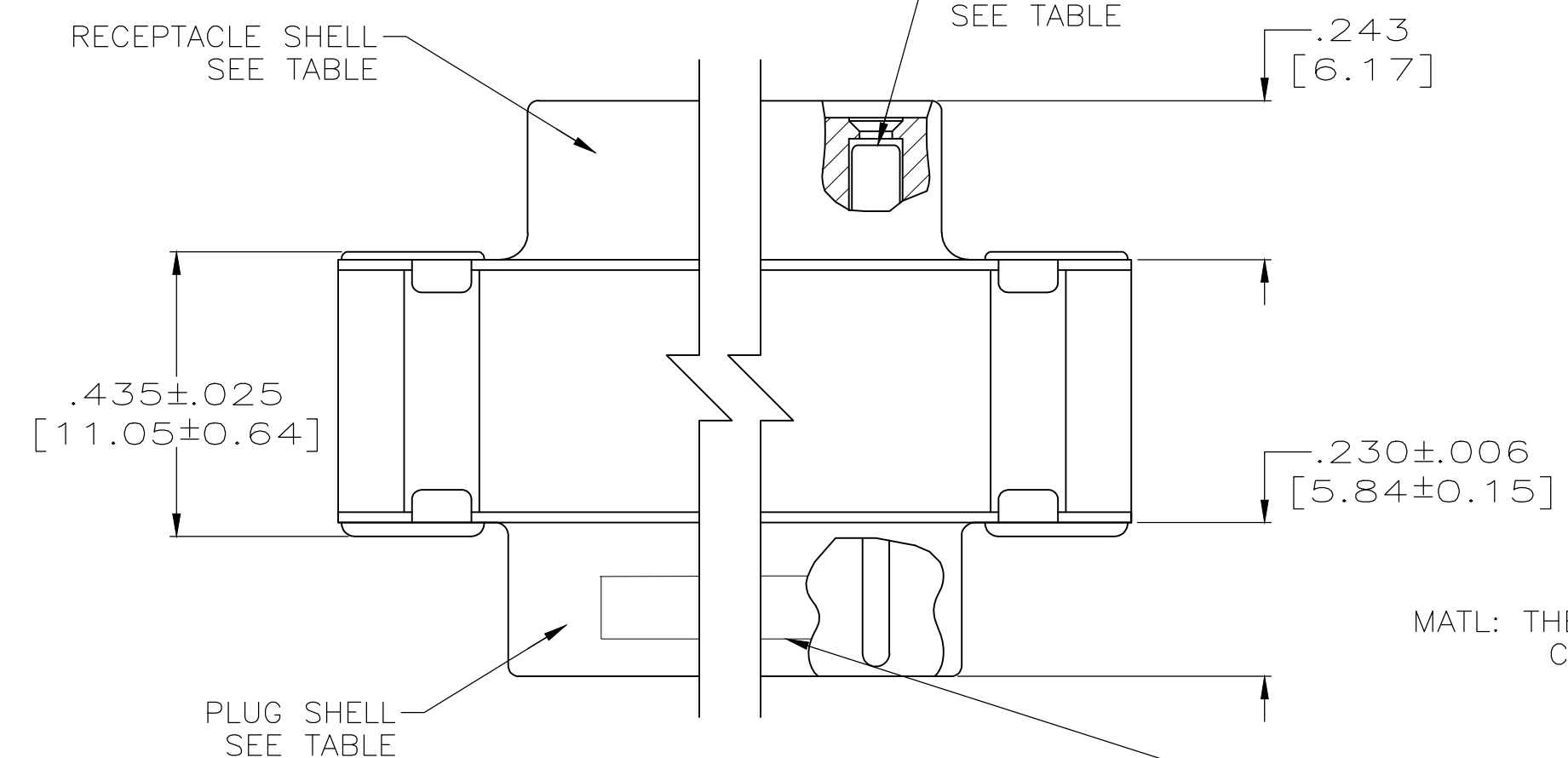
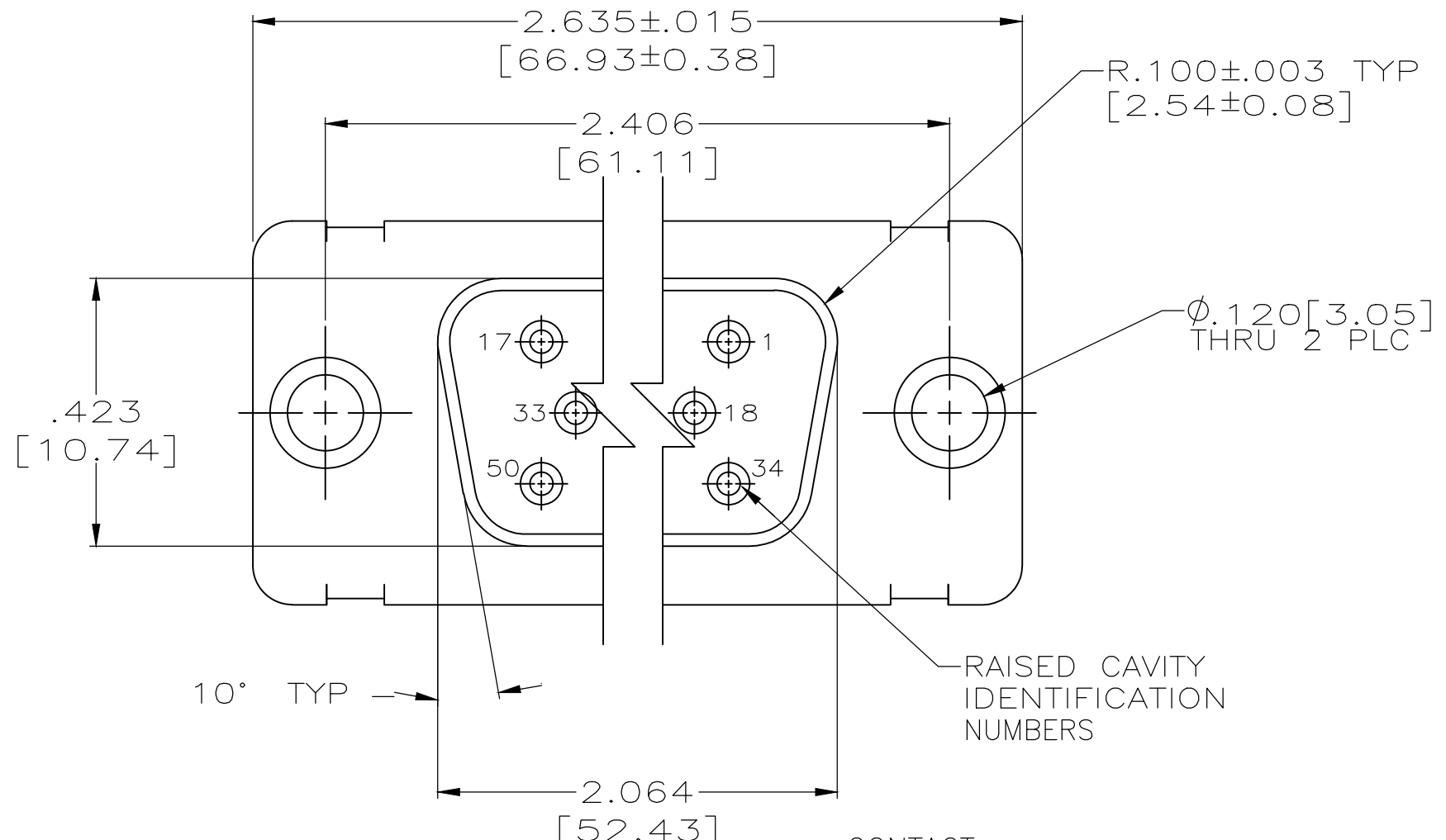


THIS DRAWING IS UNPUBLISHED. RELEASED FOR PUBLICATION
 © COPYRIGHT - By - ALL RIGHTS RESERVED.

REVISIONS					
P	LTR	DESCRIPTION	DATE	DWN	APVD
W		REV PER ECO 18-019896	2-14-19	CT	DM



INK STAMP "AMP", AMP PART NUMBER AND DATE CODE, FAR SIDE
 CUSTOMER PART NUMBER, NEAR SIDE

△6 △6	△7 △6	△4	4U884 SOCN R10002677-0105	212563-6
△6 △7	△7 △6	△4	PT2-111-11	212563-5
△6 △7	△7 △6	△8	-	212563-4
△6 △7	△7 △6	△4	(1J02-105)	212563-3
△6 △7	△7 △6	△8	-	212563-2
△6 △5	△2 △3	△4	-	212563-1
EYELET	SHELLS	CONTACT	CUSTOMER P/N	PART NO.

THIS DRAWING IS A CONTROLLED DOCUMENT.		DWN 27-May-15 MANJUNATH G M	TE Connectivity	
DIMENSIONS: INCHES		CHK 27-May-15 CHARLES THOMAS		
TOLERANCES UNLESS OTHERWISE SPECIFIED:		APVD 27-May-15 CHARLES THOMAS	NAME	
0 PLC ± -		PRODUCT SPEC	CONNECTOR SAVER, AMPLIMITE	
1 PLC ± -		APPLICATION SPEC	50 POSITION, SIZE 5, SERIES 109	
2 PLC ± -		WEIGHT 0.000000	SIZE A2	CAGE CODE 00779
3 PLC ± .005 [0.13]		CUSTOMER DRAWING	DRAWING NO C-212563	RESTRICTED TO -
4 PLC ± -		SCALE 4:1	SHEET 1 of 1	REV W
ANGLES ± -				
FINISH -				