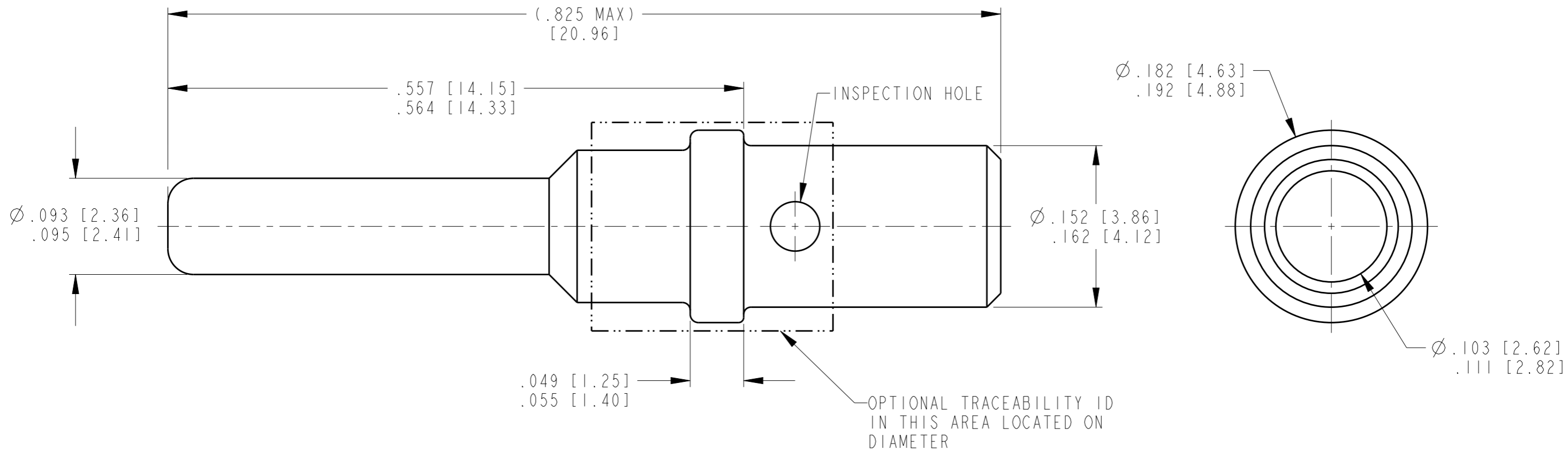


THIS DRAWING IS UNPUBLISHED  
© COPYRIGHT 2005 BY TE CONNECTIVITY ALL RIGHTS RESERVED.

RELEASED FOR PUBLICATION 2018

REVISIONS

P	LTR	DESCRIPTION	DATE	DWN	APVD
	A	REVISED PER PCN E-18-001206	24JAN2018	JA	DM



TE INTERNAL PN	DEUTSCH PN	PLATING
0460-204-12141	0460-204-12141	NICKEL

THIS DRAWING IS A CONTROLLED DOCUMENT.		DWN J. APOSTOL 08MAR2005														
DIMENSIONS: INCHES [mm]		CHK B. BYFORD 14MAR2005														
TOLERANCES UNLESS OTHERWISE SPECIFIED:		APVD R. REED 14MAR2005	NAME CONTACT PIN SIZE 12													
<table border="0"> <tr><td>0 PLC</td><td>±</td></tr> <tr><td>1 PLC</td><td>±</td></tr> <tr><td>2 PLC</td><td>±</td></tr> <tr><td>3 PLC</td><td>±</td></tr> <tr><td>4 PLC</td><td>±</td></tr> <tr><td>ANGLES</td><td>±</td></tr> </table>		0 PLC	±	1 PLC	±	2 PLC	±	3 PLC	±	4 PLC	±	ANGLES	±	PRODUCT SPEC 0425-015-0000	SIZE A3	
0 PLC	±															
1 PLC	±															
2 PLC	±															
3 PLC	±															
4 PLC	±															
ANGLES	±															
MATERIAL		APPLICATION SPEC 0425-205-0000	CAGE CODE 4AFU8	DRAWING NO 0460-204-12XX												
FINISH		WEIGHT 1.27g	RESTRICTED TO													
		CUSTOMER DRAWING	SCALE 10:1	SHEET 1 OF 1												
			REV A													

1. WIRE RANGE : 14 AWG TO 12 AWG [2.0 - 3.0 mm<sup>2</sup>]

NOTES: