

# Customer Information Sheet

DRAWING No.: M52-500XX45

SHEET 2 OF 2

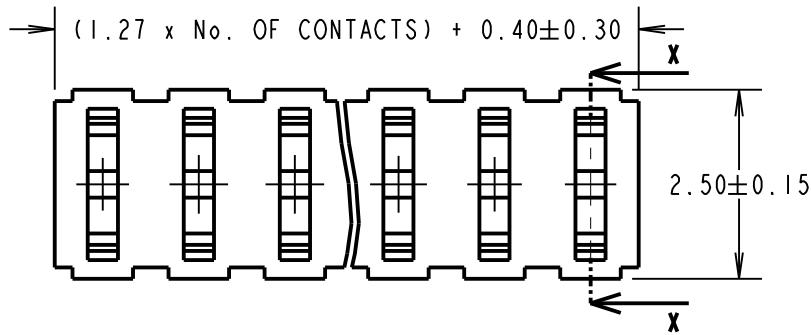
IF IN DOUBT - ASK

©

NOT TO SCALE

THIRD ANGLE PROJECTION

ALL DIMENSIONS IN mm



ORDER CODE:  
**M52-500XX45**

No. OF CONTACTS PER ROW:  
**03 to 10, 12, 14 to 16, 20, 25, 40**

FINISH: \_\_\_\_\_  
 GOLD

SPECIFICATIONS:

MATERIAL:  
 MOULDING = NYLON 6T UL94V-0, BLACK  
 CONTACT = PHOSPHOR BRONZE

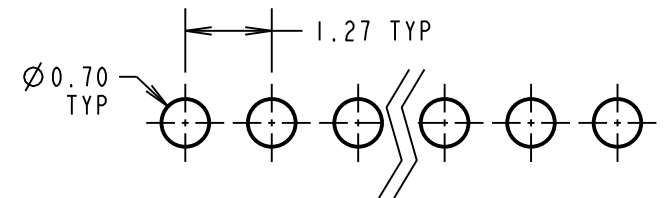
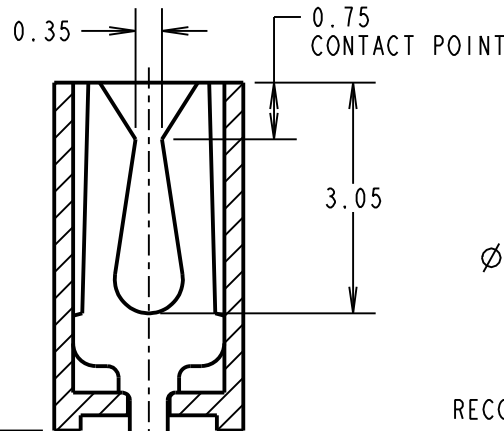
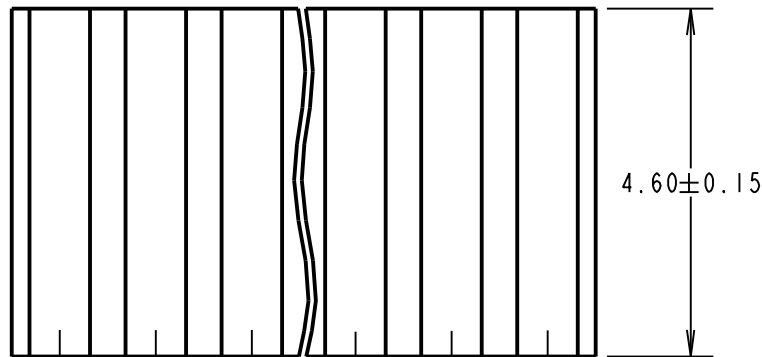
FINISH:  
 CONTACT = GOLD OVER NICKEL

ELECTRICAL:  
 CURRENT RATING = 1A  
 DIELECTRIC WITHSTAND VOLTAGE = 500V AC FOR ONE MINUTE  
 CONTACT RESISTANCE = 30mΩ MAX  
 INSULATION RESISTANCE = 1000MΩ MIN

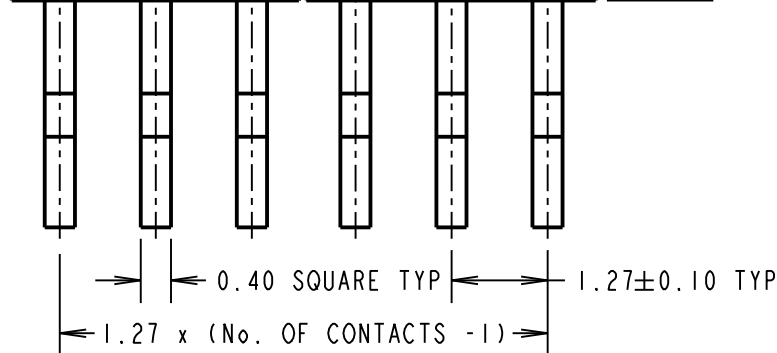
MECHANICAL:  
 INSERTION FORCE = IN MAX PER PIN  
 WITHDRAWAL FORCE = 0.12N MIN PER PIN  
 DURABILITY = 300 CYCLES

ENVIRONMENTAL:  
 OPERATING TEMPERATURE = -40°C TO +105°C

PACKING:  
 02-04 CONTACTS = TRAY, 05-50 CONTACTS = TUBE



RECOMMENDED PCB LAYOUT (PCB TOLERANCE ±0.05)



SECTION X-X

**OBSOLETE**

No. of contacts per row = 02, 11, 13,  
 17 to 19, 21 to 24, 26 to 39, 41 to 50  
 Last Time Buy = 15th June 2018

NOTES:  
 1. ALL TOLERANCES ARE ±0.25 UNLESS OTHERWISE STATED.

|                |            |          |        |
|----------------|------------|----------|--------|
| SB             | 11         | 17.12.13 | 11905  |
| NAME           | ISS.       | DATE     | C/NOTE |
| APPROVED:      | S.BENNETT  |          |        |
| CHECKED:       | S.FLOWER   |          |        |
| DRAWN:         | J. ENRIGHT |          |        |
| CUSTOMER REF.: |            |          |        |
| ASSEMBLY DRG:  |            |          |        |

**HARWIN**

www.harwin.com  
 technical@harwin.com

THIS DRAWING AND ANY INFORMATION OR DESCRIPTIVE MATTER SET OUT HEREON ARE CONFIDENTIAL AND COPYRIGHT PROPERTY OF THE HARWIN GROUP AND MUST NOT BE DISCLOSED, LOANED, COPIED OR USED FOR MANUFACTURING, TENDERING OR FOR ANY OTHER PURPOSE WITHOUT THEIR WRITTEN PERMISSION.

~~TOLERANCES~~

~~X = ±1mm~~  
~~X.X = ±0.25mm~~  
~~X.XX = ±0.10mm~~  
~~X.XXX = ±0.01mm~~  
~~ANGLES = ±5°~~  
 UNLESS STATED

MATERIAL: SEE ABOVE

FINISH: SEE ABOVE

S/AREA: mm<sup>2</sup>

TITLE:  
 1.27mm PITCH SIL  
 VERTICAL PC TAIL SOCKET ASSY

DRAWING NUMBER:  
**M52-500XX45**

SHT  
 2 OF 2

# Mouser Electronics

Authorized Distributor

Click to View Pricing, Inventory, Delivery & Lifecycle Information:

## Harwin:

[M52-5000845](#) [M52-5000445](#) [M52-5002845](#) [M52-5001645](#) [M52-5002045](#) [M52-5002645](#) [M52-5001445](#) [M52-5001045](#) [M52-5002245](#) [M52-5001845](#) [M52-5000645](#) [M52-5004045](#) [M52-5100445](#) [M52-5003145](#) [M52-5003945](#) [M52-5003545](#) [M52-5003345](#) [M52-5003745](#) [M52-5003645](#) [M52-5003245](#) [M52-5003045](#) [M52-5003845](#) [M52-5003445](#) [M52-5000345](#) [M52-5002745](#) [M52-5001545](#) [M52-5001145](#) [M52-5002345](#) [M52-5001945](#) [M52-5000745](#) [M52-5000545](#) [M52-5002945](#) [M52-5001745](#) [M52-5002145](#) [M52-5000945](#) [M52-5002545](#) [M52-5001345](#) [M52-5001245](#) [M52-5002445](#) [M52-040023V0745](#) [M52-040023V1145](#) [M52-040023V1545](#) [M52-040023V0345](#) [M52-040000S0545R](#) [M52-040023V0445](#)