

RL73N1ER18JTD ✓ ACTIVE

CGS | CGS RL73

TE Internal #: 5-1622824-2

Current Sensing Resistor, Thick Film, 0402, .0625 W, .18 ohm, 5 %, ±300 ppm/°C, Solder, 2 Termination, Height .32 mm [.013 in], CGS RL73

[View on TE.com >](#)



Passive Components > Resistors > Surface Mount Resistors > Thick Film Resistor: Current Sense



Resistor Type: **Current Sensing Resistor**

Element Type: **Thick Film**

Package Size Code: **0402**

Power Rating: **.0625 W**

Resistance Value: **.18 Ω**

[All Thick Film Resistor: Current Sense \(29\)](#)

Features

Product Type Features

| | |
|-------------------|--------------------------|
| Resistor Type | Current Sensing Resistor |
| Element Type | Thick Film |
| Package Size Code | 0402 |

Configuration Features

| | |
|---------------------|---|
| Number of Resistors | 1 |
|---------------------|---|

Electrical Characteristics

| | |
|-----------------------------|-----------|
| Power Rating | .0625 W |
| Resistance Value | .18 Ω |
| Resistance Class | Up to 1kΩ |
| Passive Component Tolerance | 5 % |

Termination Features

| | |
|---|--------|
| Surface Mount Resistor Termination Type | Solder |
| Number of Terminations | 2 |

Dimensions

| | |
|----------------|-----------------|
| Product Height | .32 mm[.013 in] |
| Product Length | 1 mm[.039 in] |



| | |
|---------------|---------------|
| Product Width | .5 mm[.02 in] |
|---------------|---------------|

Usage Conditions

| | |
|-------------------------|-------------|
| Temperature Coefficient | ±300 ppm/°C |
|-------------------------|-------------|

Packaging Features

| | |
|------------------|----------------|
| Packaging Method | Taped & Reeled |
|------------------|----------------|

Product Compliance

[For compliance documentation, visit the product page on TE.com>](#)

| | |
|---|---|
| EU RoHS Directive 2011/65/EU | Compliant with Exemptions |
| EU ELV Directive 2000/53/EC | Compliant with Exemptions |
| China RoHS 2 Directive MIIT Order No 32, 2016 | Restricted Materials Above Threshold |
| EU REACH Regulation (EC) No. 1907/2006 | Current ECHA Candidate List: JUNE 2024 (241) Candidate List Declared Against: JUNE 2024 (241) Does not contain REACH SVHC |
| Halogen Content | Low Halogen - Br, Cl, F, I < 900 ppm per homogenous material. Also BFR/CFR/PVC Free |
| Solder Process Capability | Reflow solder capable to 260°C |

Product Compliance Disclaimer

This information is provided based on reasonable inquiry of our suppliers and represents our current actual knowledge based on the information they provided. This information is subject to change. The part numbers that TE has identified as EU RoHS compliant have a maximum concentration of 0.1% by weight in homogenous materials for lead, hexavalent chromium, mercury, PBB, PBDE, DBP, BBP, DEHP, DIBP, and 0.01% for cadmium, or qualify for an exemption to these limits as defined in the Annexes of Directive 2011/65/EU (RoHS2). Finished electrical and electronic equipment products will be CE marked as required by Directive 2011/65/EU. Components may not be CE marked. Additionally, the part numbers that TE has identified as EU ELV compliant have a maximum concentration of 0.1% by weight in homogenous materials for lead, hexavalent chromium, and mercury, and 0.01% for cadmium, or qualify for an exemption to these limits as defined in the Annexes of Directive 2000/53/EC (ELV). Regarding the REACH Regulation, the information TE provides on SVHC in articles for this part number is based on the latest European Chemicals Agency (ECHA) 'Guidance on requirements for substances in articles' posted at this URL: <https://echa.europa.eu/guidance-documents/guidance-on-reach>

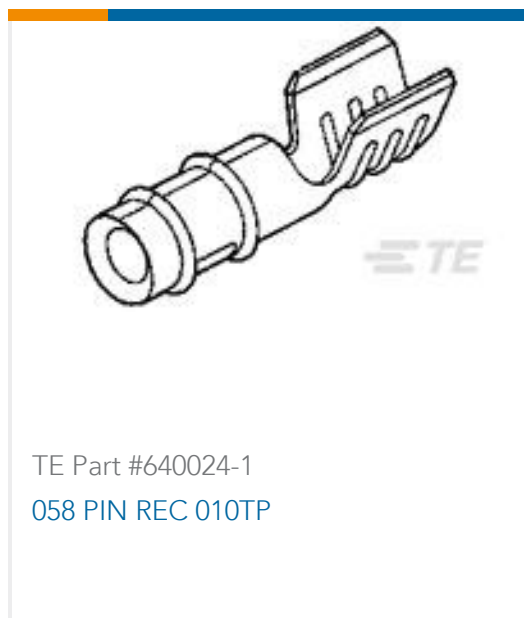
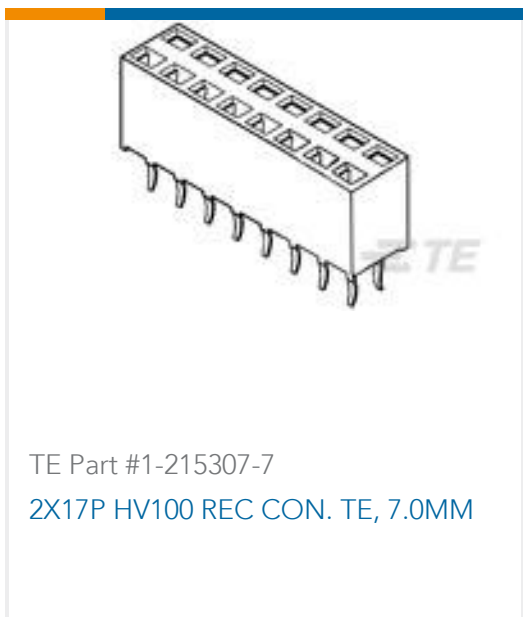
Compatible Parts



Also in the Series | CGS RL73



Customers Also Bought





Documents

Product Drawings

[RL73N 1E R18 5% 5K RL](#)

English

CAD Files

[3D PDF](#)

3D

Customer View Model

[ENG_CVM_CVM_5-1622824-2_BA.2d_dxf.zip](#)

English

Customer View Model

[ENG_CVM_CVM_5-1622824-2_BA.3d_igs.zip](#)

English

Customer View Model

[ENG_CVM_CVM_5-1622824-2_BA.3d_stp.zip](#)

English

By downloading the CAD file I accept and agree to the [Terms and Conditions](#) of use.

Datasheets & Catalog Pages

[1309350_PASSIVE_COMPONENT](#)

English

[Standard Tantalum Capacitors - Type TYTS Series - Tyco Electronics Passives](#)

English

[8-1773459-4_POWER_FILTERING_AND_RESISTIVE_SOLUTIONS_FOR_ELEVATORS_AND_ESCALATORS](#)

English

[SMD Low Ohmic Current Sense Resistors - Type RL73 Series](#)

English