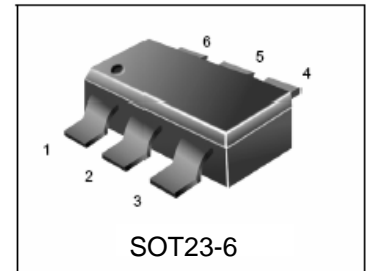


4-CHANNEL LOW CAPACITANCE ESD PROTECTION DIODES ARRAY

DESCRIPTIONS

The LRCSR05-04T1G-HW is a 4-channel ultra low capacitance rail clamp ESD protection diodes array. Each channel consists of a pair of ESD diodes that steer positive or negative ESD current to either the positive or negative rail. A zener diode is integrated in to the array between the positive and negative supply rails. In the typical applications, the negative rail pin (assigned as GND) is connected with system ground. The Positive ESD current is steered to the ground through an ESD diode and Zener diode and the positive ESD voltage is clamped to the zener voltage. The LRCSR05-04T1G-HW is idea to protect high speed data lines. Three package type is provided for easy PCB layout.

LRCSR05-04T1G-HW



FEATURES

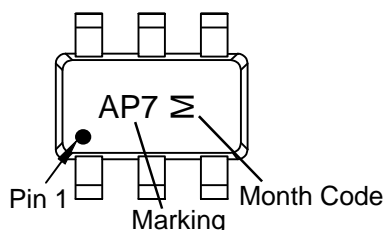
- * 4 channels of ESD protection;
- * Provides ESD protection to IEC61000-4-2 level 4
 - ±15kV air discharge
 - ±10kV contact discharge;
- * Channel I/O to GND capacitance: 2pF(Max)
- * Channel I/O to I/O capacitance: 1pF(Max.)
- * Low clamping voltage;
- * Low operating voltage;
- * Improved zener structure;
- * Optimized package for easy high speed data lines PCB layout;
- * RoHS compliant.

APPLICATIONS

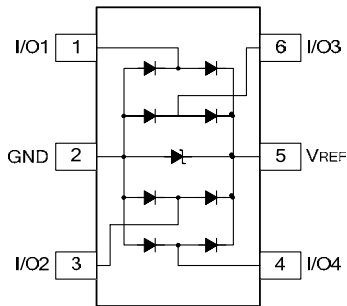
- * HDMI / DVI ports;
- * Display Port interface;
- * 10M / 100M / 1G Ethernet;
- * USB 2.0 interface;
- * VGA interface
- * Set-top box;
- * Flat panel Monitors / TVs;
- * PC / Note book

ORDERING INFORMATION

Part No.	Package	Marking	Material	Shipping
LRCSR05-04T1G-HW	SOT23-6	AP7	Halogen Free	3000Tape&Reel



PIN CONFIGURATION



(Top view)

ABSOLUTE MAXIMUM RATINGS

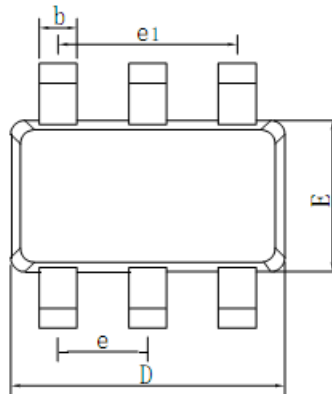
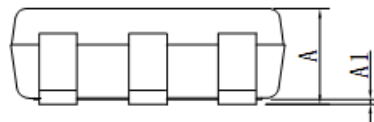
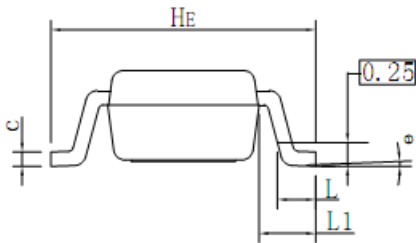
Characteristics	Symbol	Ratings	Unit
Peak Pulse Power(8/20 μ s)	P _{PP}	200	W
Peak Pulse Current(8/20 μ s)	I _{PP}	12	A
ESD per IEC 61000-4-2(Air)	V _{ESD1}	± 15 kV	kV
ESD per IEC 61000-4-2(Contact)	V _{ESD2}	± 10 kV	kV
Operating Temperature Range	T _{opr}	-55 ~ +125	$^{\circ}$ C
Storage Temperature Range	T _{stg}	-55 ~ +150	$^{\circ}$ C

ELECTRICAL CHARACTERISTICS(T_{amb}=25 $^{\circ}$ C)

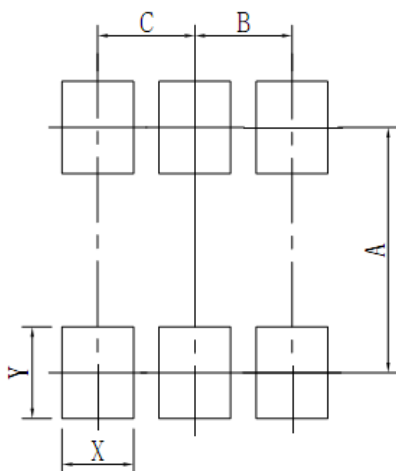
Characteristics	Symbol	Test Conditions	Min.	Typ.	Max.	Unit
Reverse Working Voltage	V _{RWM}	Any I/O pin to GND			5	V
Reverse Breakdown Voltage	V _{BR}	I _t =1mA; Any I/O pin to GND	6			V
Forward Voltage	V _F	I _F =15mA GND to Any I/O pin			1.2	V
Reverse Leakage Current	I _R	V _{RWM} =5V, T=25 $^{\circ}$ C; Any I/O pin to GND			1	μ A
Positive Clamping Voltage	V _{C1}	I _{PP} =5A, t _p =8/20 μ s; Positive pulse; Any I/O pin to GND		11.5	13	V
Positive Clamping Voltage	V _{C1}	I _{PP} =12A, t _p =8/20 μ s; Positive pulse; Any I/O pin to GND		16.5	18	V
Junction Capacitance Between Channel	C _{J1}	V _R =0V, f=1MHz; Between I/O pins		0.7	1	pF
Junction Capacitance Between I/O And GND	C _{J2}	V _R =0V, f=1MHz; Any I/O pin to GND		1.5	2	pF

LRCRV05-04T1G-HW
OUTLINE AND DIMENSIONS

SOT23-6



SOT23-6			
DIM	MIN	NOR	MAX
A	0.90	1.00	1.10
A1	0.01	0.06	0.10
b	0.25	0.40	0.50
c	0.10	0.17	0.26
D	2.80	2.90	3.10
E	1.30	1.60	1.70
e	0.85	0.95	1.05
e1	1.80	1.90	2.00
L	0.20	0.40	0.60
L1	0.60REF		
HE	2.50	2.80	3.00
θ	0°	-	10°

SOLDERING FOOTPRINT


SOT23-6	
DIM	(mm)
X	0.70
Y	0.90
A	2.40
B	0.95
C	0.95

DISCLAIMER

- Before you use our Products, you are requested to carefully read this document and fully understand its contents. LRC shall not be in any way responsible or liable for failure, malfunction or accident arising from the use of any LRC's Products against warning, caution or note contained in this document.
- All information contained in this document is current as of the issuing date and subject to change without any prior notice. Before purchasing or using LRC's Products, please confirm the latest information with a LRC sales representative.

Version	Date	Description of revision	DRI
A	2020/8/24	Add declaration and upgrade version	Wang Yan