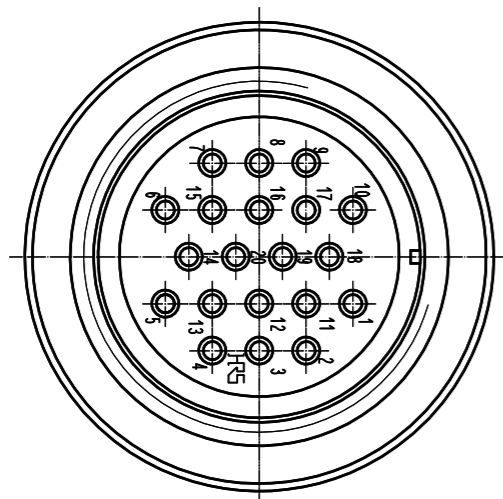
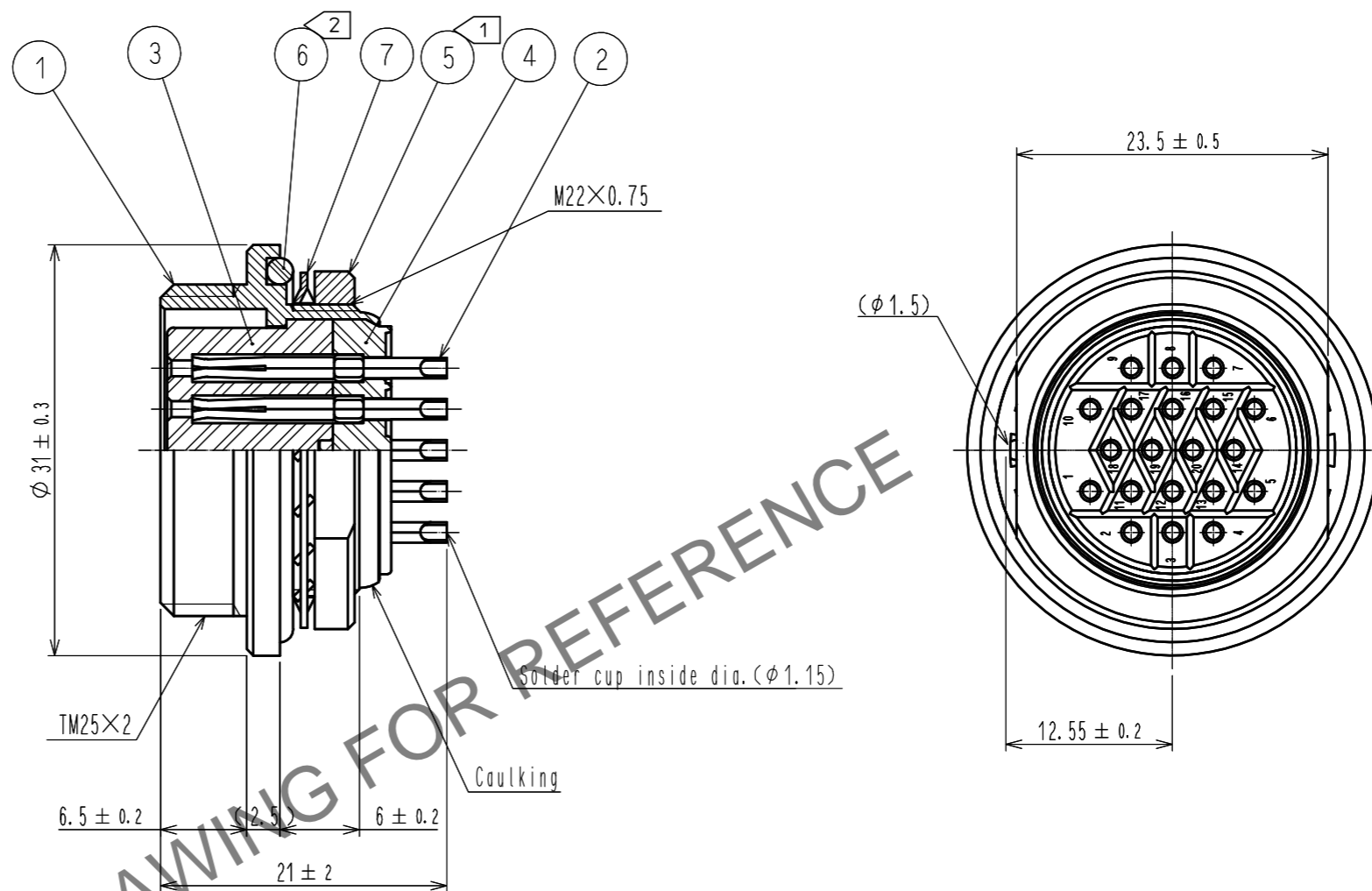
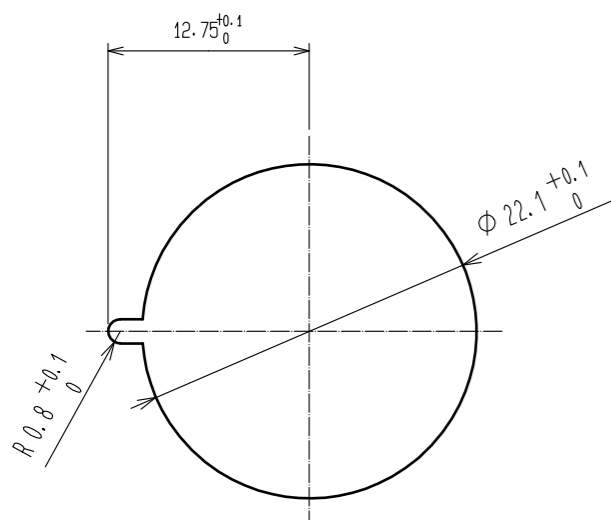


Jul.1.2024 Copyright 2024 HIROSE ELECTRIC CO., LTD. All Rights Reserved.  
 In case of consideration for using Automotive equipment / device which demand high reliability, kindly contact our sales window correspondents.



Panel cutout(2:1)  
 (Panel thickness : 2 max.)



HRS DRAWING FOR REFERENCE

- Notes ① The recommended tightening torque of ref.No. ⑤ shall be 4N·m. LOCTITE 243, HENKEL JAPAN or equivalent is recommended to prevent ref.No. ⑤ from loosening.  
 ② At the connector mount, ref.No. ⑥ O-RING. Shall be attached without bite lump.

NO.	MATERIAL	FINISH . REMARKS	NO.	MATERIAL	FINISH . REMARKS
4	PPS	(Black) UL94V-0	7	Phosphor bronze	Nickel plating
3	PPS	(Black) UL94V-0	6	Chloroprene rubber	(Black)
2	Copper alloy	Silver plating 5μm min.	5	Brass	Nickel plating
1	Brass	Nickel plating			

UNITS mm		SCALE 2 : 1	COUNT 1	DESCRIPTION OF REVISIONS DIS-C-00007430	DESIGNED TY. SUZUKI	CHECKED HY. KOBAYASHI	DATE 20210803
<b>HRS</b> HIROSE ELECTRIC CO., LTD.		APPROVED : HY. KOBAYASHI 20180222	DRAWING NO. EDC-003648-31-00				
		CHECKED : HY. KOBAYASHI 20180222	PART NO. RM21WTR-20S(31)				
		DESIGNED : HY. KISHI 20180222	CODE NO. CL0109-1448-6-31				
		DRAWN : MK. INOUE 20180208					