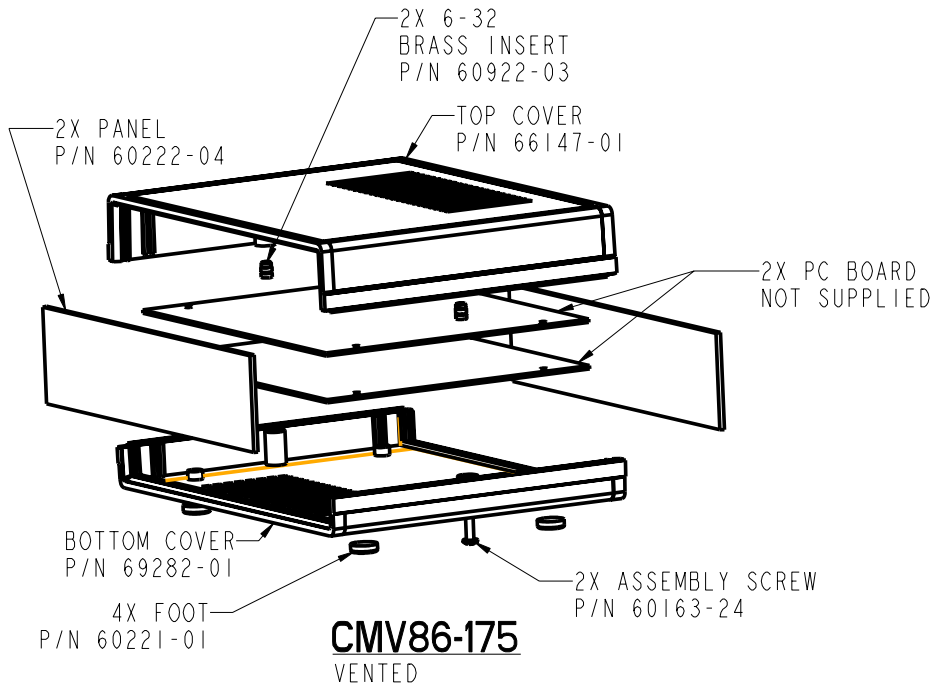
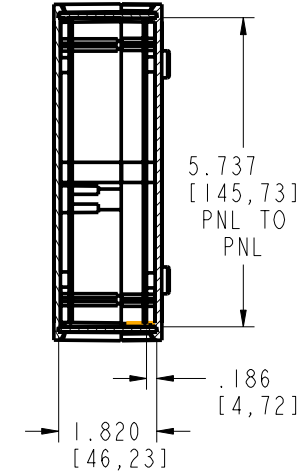
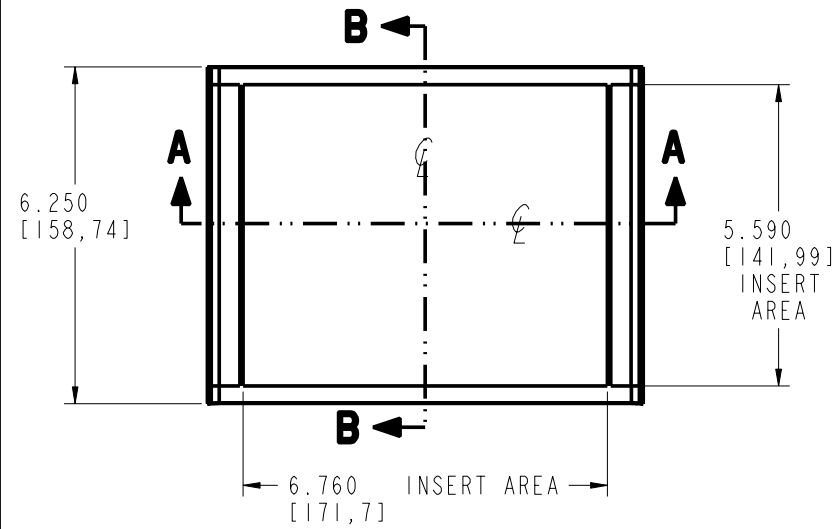


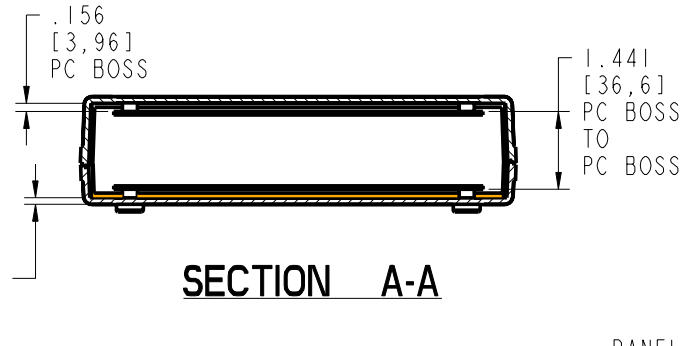
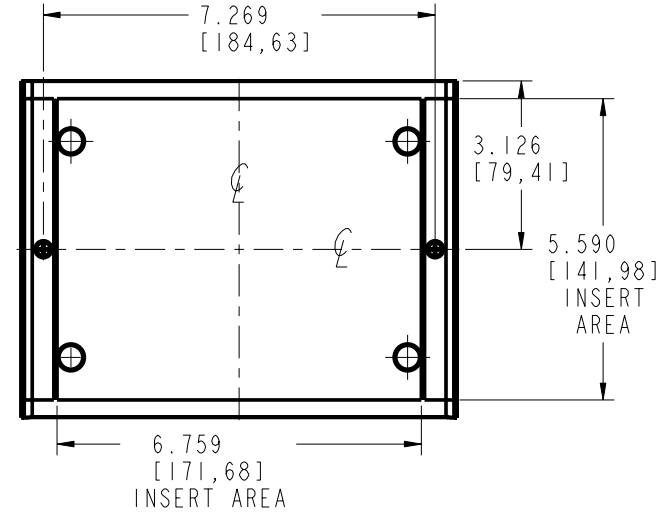
CM86-175
STANDARD



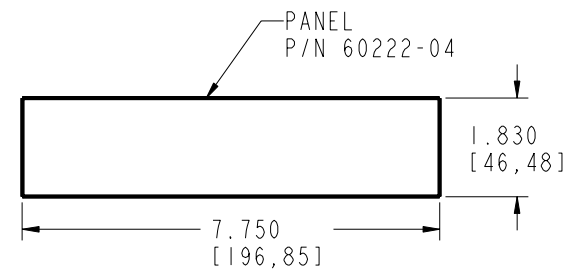
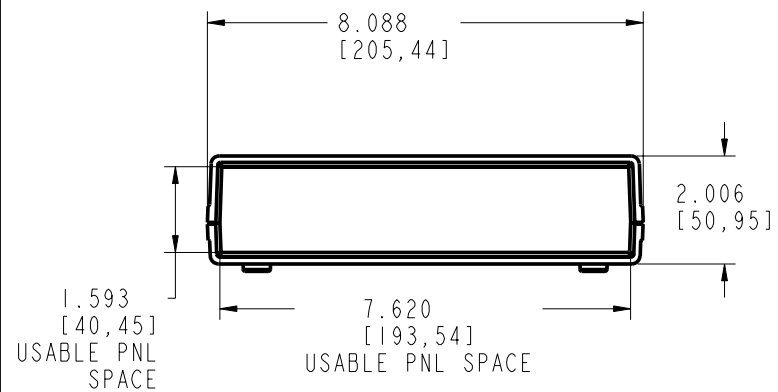
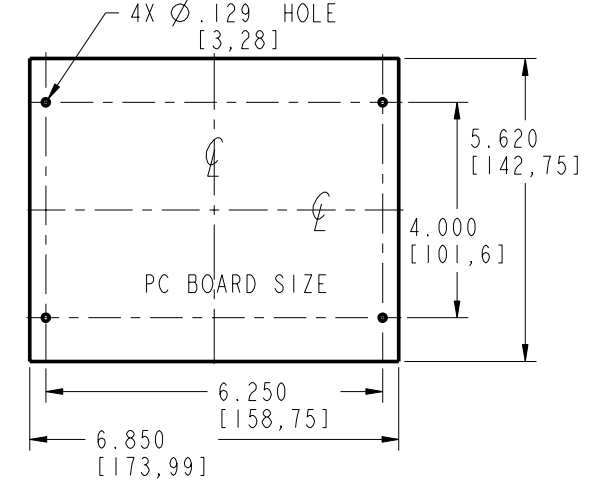
CMV86-175
VENTED



SECTION B-B



SECTION A-A



PACINTEC[®]
1-610-361-4231

CM86-175 SERIES

VISIT **PACINTEC**[®]
ON THE WORLD WIDE WEB
www.pactecenclosures.com

PCB MTG. SCREWS:
PHP #4 TYPE B X 1/4 LG.

COLOR / MATERIAL CODE		
COLOR	94HB	94VO
BLACK	000	028
P.C. BONE	039	060

INSERT AREAS ARE SECTIONS IN OUR TOOLS
THAT CAN BE REMOVED AND REPLACED WITH
CUSTOMER SPECIFIC DETAILS

DRAWING NUMBER	REV
60226	E

Mouser Electronics

Authorized Distributor

Click to View Pricing, Inventory, Delivery & Lifecycle Information:

[PacTec:](#)

[60222-04-028 CM86-175 Black](#) [69206-510-000 CM86-175 Black Kit](#) [69209-510-039 CM86-175 Bone Kit](#)