

2-521406-2 ✓ ACTIVE

Ultra-Fast | ULTRA-FAST 205

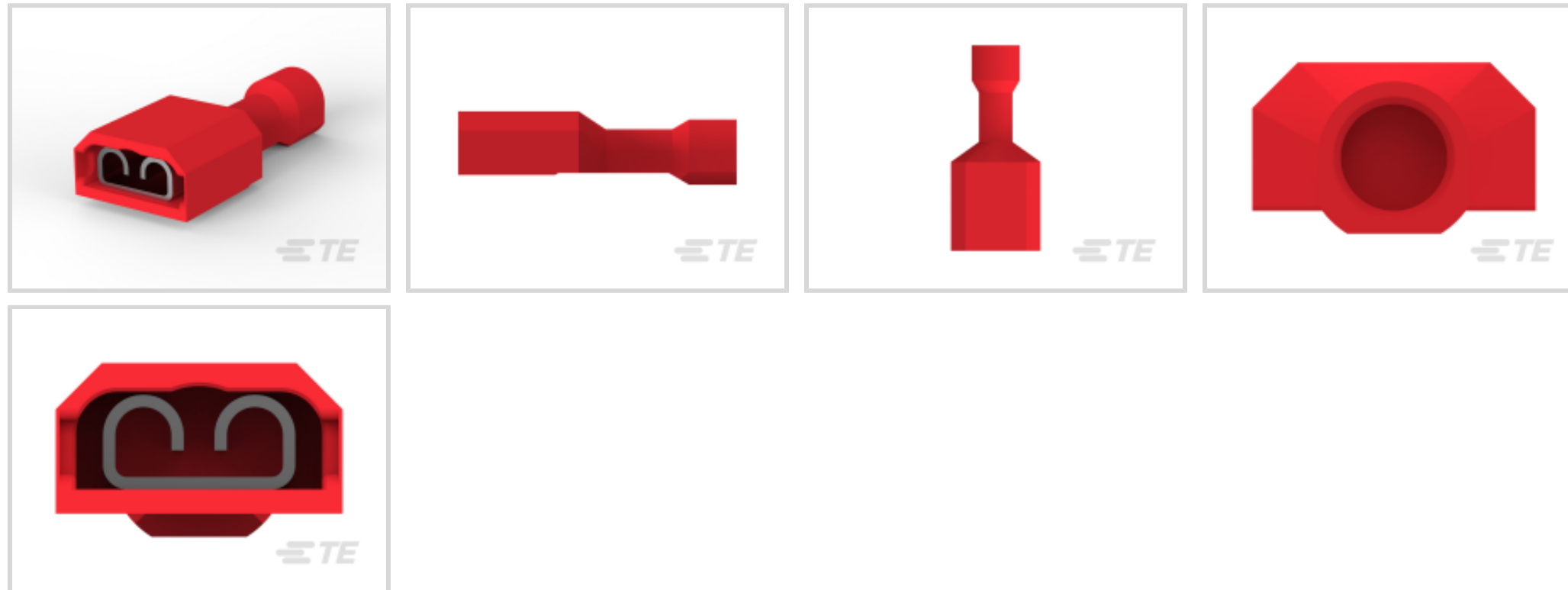
TE Internal #: 2-521406-2

Receptacle, 22 – 18 AWG Wire Size, .32 – .82 mm<sup>2</sup> Wire Size,  
Mating Tab Width 5.21 mm [.205 in], Straight, Brass, ULTRA-FAST  
205, Quick Disconnects

[View on TE.com >](#)



Terminals & Splices > Quick Disconnects



Quick Disconnect Terminal Type: **Receptacle**

Wire Size: .32 – .82 mm<sup>2</sup>

Mating Tab Width: 5.21 mm [.205 in]

Mating Tab Thickness: .51 mm [.02 in]

## Features

### Product Type Features

|                   |           |
|-------------------|-----------|
| Terminal Features | Wire Stop |
| Insertion Force   | Normal    |

### Configuration Features

|                                   |               |
|-----------------------------------|---------------|
| Connection Capacity               | Single        |
| Compatible With Wire & Cable Type | Discrete Wire |

### Electrical Characteristics

|                |       |
|----------------|-------|
| Voltage Rating | 600 V |
|----------------|-------|

### Body Features

|                     |       |
|---------------------|-------|
| Insulation Material | Nylon |
|---------------------|-------|

### Contact Features

|                                |                   |
|--------------------------------|-------------------|
| Quick Disconnect Terminal Type | Receptacle        |
| Mating Tab Width               | 5.21 mm [.205 in] |
| Mating Tab Thickness           | .51 mm [.02 in]   |
| Terminal Orientation           | Straight          |



|                           |         |
|---------------------------|---------|
| Contact Base Material     | Brass   |
| Terminal Plating Material | Tin     |
| Crimp Type                | F-Crimp |
| Barrel Type               | Closed  |

### Termination Features

|                       |              |
|-----------------------|--------------|
| Product Terminates To | Wire & Cable |
|-----------------------|--------------|

### Mechanical Attachment

|                         |        |
|-------------------------|--------|
| Wire Insulation Support | With   |
| Mating Retention Type   | Dimple |

### Dimensions

|                                      |                           |
|--------------------------------------|---------------------------|
| Terminal Material Thickness          | .41 mm[.016 in]           |
| Product Length                       | 21.75 mm[.855 in]         |
| Compatible Insulation Diameter Range | 3.43 mm[.135 in]          |
| Wire Size                            | .32 – .82 mm <sup>2</sup> |

### Usage Conditions

|                             |                            |
|-----------------------------|----------------------------|
| Insulation Option           | Fully Insulated            |
| Operating Temperature Range | -40 – 110 °C[-40 – 230 °F] |

### Industry Standards

|   |          |
|---|----------|
| Compatible With Agency/Standards Products | UL       |
| UL Flammability Rating                    | UL 94V-2 |

### Packaging Features

|                    |            |
|--------------------|------------|
| Packaging Quantity | 2200       |
| Packaging Method   | Strip/Reel |

### Other

|              |     |
|--------------|-----|
| Barrel Color | Red |
|--------------|-----|

### Product Compliance

[For compliance documentation, visit the product page on TE.com>](#)

|   |   |
|---|---|
| EU RoHS Directive 2011/65/EU                  | Compliant                               |
| EU ELV Directive 2000/53/EC                   | Compliant                               |
| China RoHS 2 Directive MIIT Order No 32, 2016 | No Restricted Materials Above Threshold |
| EU REACH Regulation (EC) No. 1907/2006        |   |



Current ECHA Candidate List: JUNE 2024 (241)  
 Candidate List Declared Against: JUNE 2024 (241)  
 Does not contain REACH SVHC

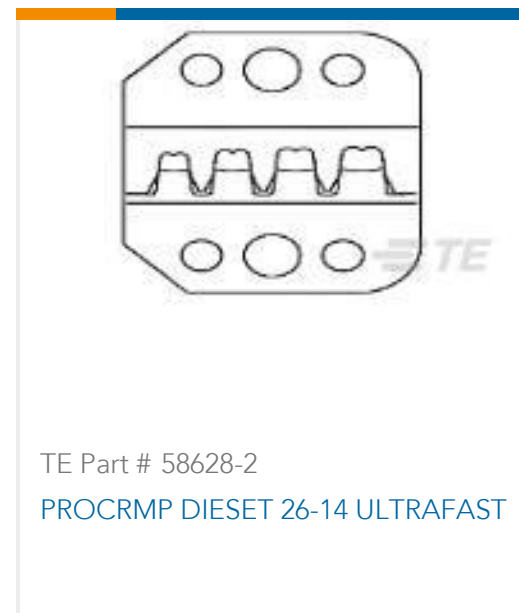
Halogen Content  
 Low Halogen - Br, Cl, F, I < 900 ppm per homogenous material. Also BFR/CFR/PVC Free

Solder Process Capability  
 Not applicable for solder process capability

Product Compliance Disclaimer

This information is provided based on reasonable inquiry of our suppliers and represents our current actual knowledge based on the information they provided. This information is subject to change. The part numbers that TE has identified as EU RoHS compliant have a maximum concentration of 0.1% by weight in homogenous materials for lead, hexavalent chromium, mercury, PBB, PBDE, DBP, BBP, DEHP, DIBP, and 0.01% for cadmium, or qualify for an exemption to these limits as defined in the Annexes of Directive 2011/65/EU (RoHS2). Finished electrical and electronic equipment products will be CE marked as required by Directive 2011/65/EU. Components may not be CE marked. Additionally, the part numbers that TE has identified as EU ELV compliant have a maximum concentration of 0.1% by weight in homogenous materials for lead, hexavalent chromium, and mercury, and 0.01% for cadmium, or qualify for an exemption to these limits as defined in the Annexes of Directive 2000/53/EC (ELV). Regarding the REACH Regulation, the information TE provides on SVHC in articles for this part number is based on the latest European Chemicals Agency (ECHA) 'Guidance on requirements for substances in articles' posted at this URL: <https://echa.europa.eu/guidance-documents/guidance-on-reach>

## Compatible Parts



Also in the Series | **ULTRA-FAST 205**



Quick Disconnects(3)

## Customers Also Bought



TE Part #3-643814-7  
07P MTA100 CONN ASSY POL RIB



TE Part #T2400001100-000  
CSM-10



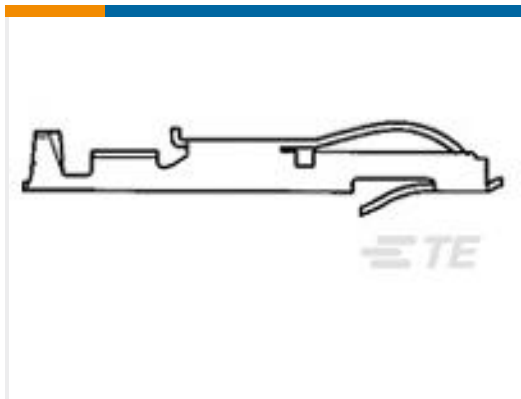
TE Part #52264-1  
TERMINAL R PG 6 3/8



TE Part #331401  
SOLISTRAND RING 26-22 #6



TE Part #770425-1  
02P .093 COMM P&S PLUG .248CL



TE Part #5-583853-3  
TWIN LEAF TERM. STRIP CSTL



TE Part #770103-1  
15P .093 COMM P&S RECPT



TE Part #1-2834011-5  
5POS 3.5MM TOP ENTRY  
SCREWLESS CONN.



TE Part #1483352-1  
MICRO-MATCH LEAD 08P 100MM



TE Part #CAF23318  
DUCK,EXD,395MHz

## Documents

### Product Drawings

[205 ULTRA-FAST RCPT 22-18 TPBR](#)

English

### CAD Files

[3D PDF](#)

[3D](#)

### Customer View Model

[ENG\\_CVM\\_CVM\\_2-521406-2\\_B.2d\\_dxf.zip](#)



English

**Customer View Model**

[ENG\\_CVM\\_CVM\\_2-521406-2\\_B.3d\\_igs.zip](#)

English

**Customer View Model**

[ENG\\_CVM\\_CVM\\_2-521406-2\\_B.3d\\_stp.zip](#)

English

By downloading the CAD file I accept and agree to the [Terms and Conditions](#) of use.

---

## Datasheets & Catalog Pages

[Ultra-Fast and Ultra Fast Plus](#)

English

---

## Product Specifications

[Application Specification](#)

English

---

## Agency Approvals

[UL](#)

English