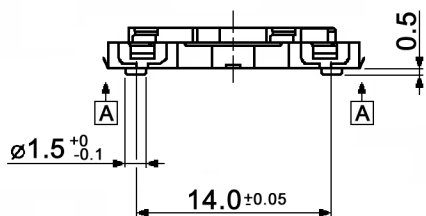
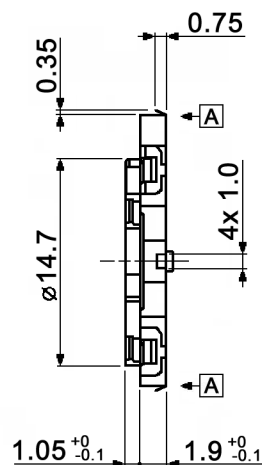
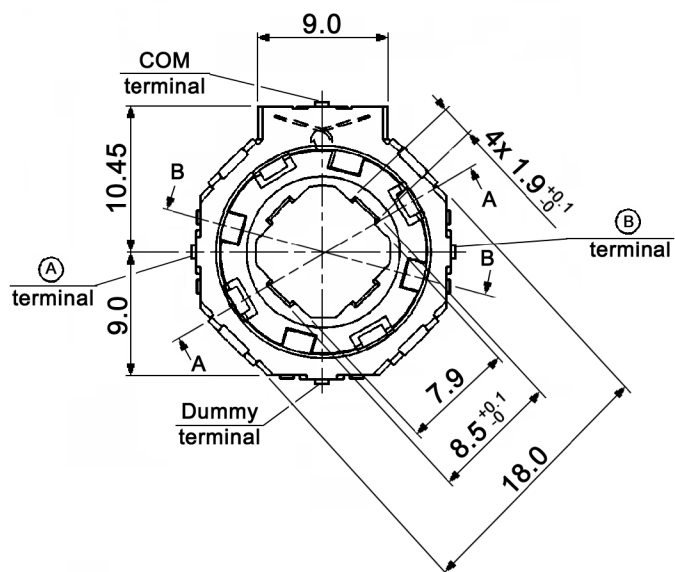
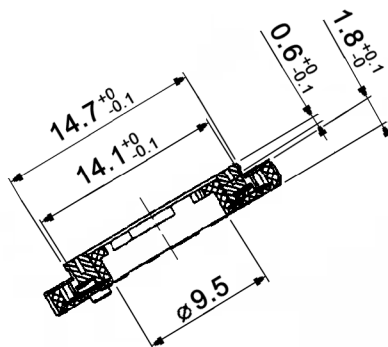


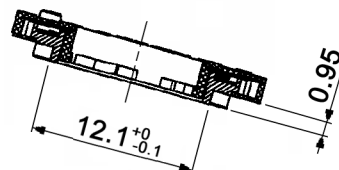
4x A common tolerance zone  $\square \pm 0.1$



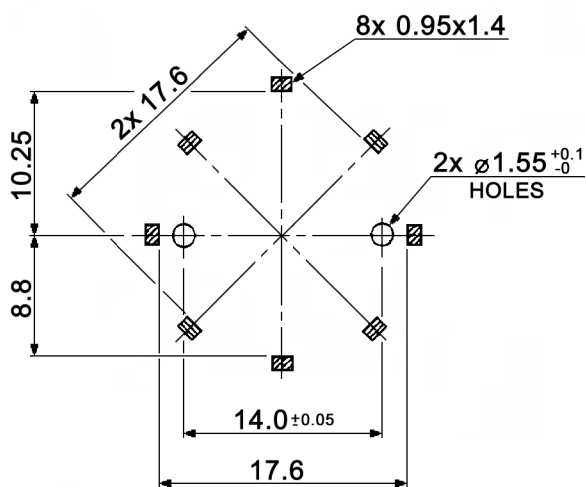
A-A SECTION



B-B SECTION



P.C.B. LAND DIMENSION  $\oplus 0.05$



Compliance: RohS II (2011/65/EU)

Tolerances: up to 10: $\pm 0.2\text{mm}$ above 10-50: $\pm 0.3\text{mm}$	Date	Name
	10/09	dr
Torque	05/17	dr
Common tolerance zone	04/14	dr
Soldering conditions	03/14	dr
Modifications	Date	Name

**MER1045-24-x**

**knitter-switch**

**30 19 44**

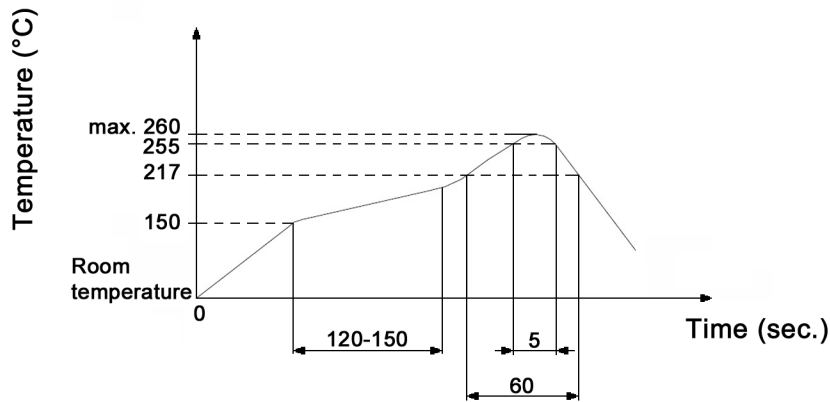
Page

1/3

**Specifications:**

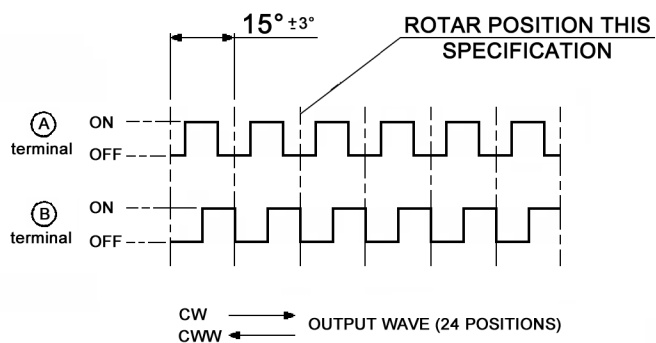
**Contact rating:** 10mA, 5V DC  
**Contact resistance:** 10hm max.  
**Insulation resistance:** 100MOhm min. at 100V DC for 1 minute +/-5sec.  
**Dielectric strength:** 100V AC (50/60Hz) for 1 minute  
**Operating temperature:** -10°C to +60°C  
**Mechanical life:** 50 000 cycles  
**Material:** Spring: stainless steel, natural  
 Terminal: C5191, silver plated  
 Contact: phosphor bronze, silver plated  
 Housing: PA46, black  
 Cover: stainless steel, silver plated  
 Rotor: PA46, grey

**Soldering conditions:**



x	Rotational torque
(empty)	8 mN*m max. (4 to 7 mN*m typ.)
5	5 mN*m max. (2 to 4 mN*m typ.)

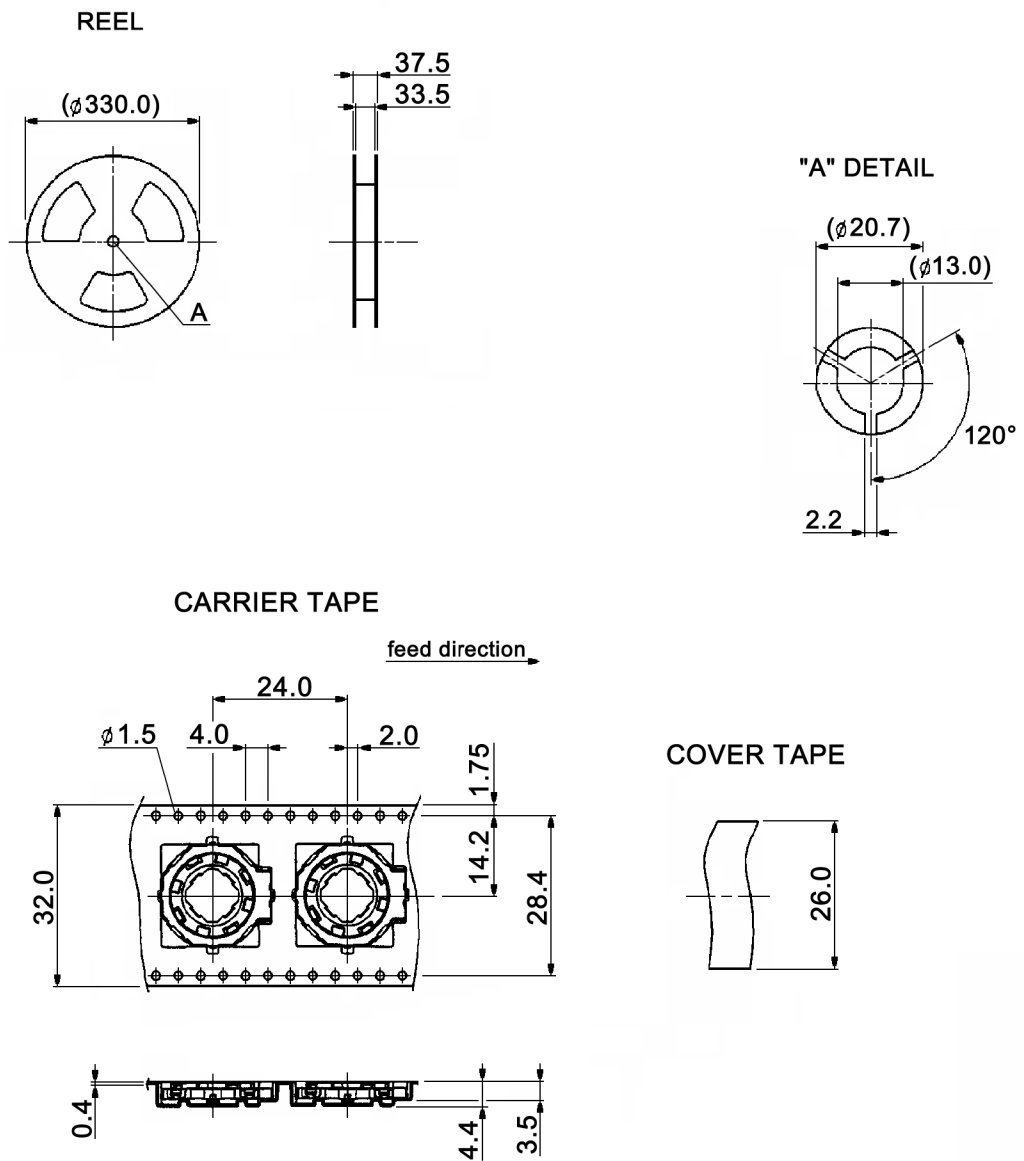
**CIRCUIT DIAGRAM**



**Compliance: RohS II (2011/65/EU)**

Tolerances: up to 10: ±0.2mm above 10-50: ±0.3mm		Date	Name	<h1>MER1045-24-x</h1>
		10/09	dr	
			<b>knitter-switch</b>	<h2>30 19 44</h2>
Modifications	Date	Name		Page 2/3

Packaging:



Packaging unit: 500 pcs. / reel  
Compliance: RohS II (2011/65/EU)

Tolerances: up to 10: $\pm 0.2\text{mm}$ above 10-50: $\pm 0.3\text{mm}$	Date	Name
	10/09	dr
Modifications	Date	Name

**MER1045-24-x**

**knitter-switch**

**30 19 44**

Page

3/3