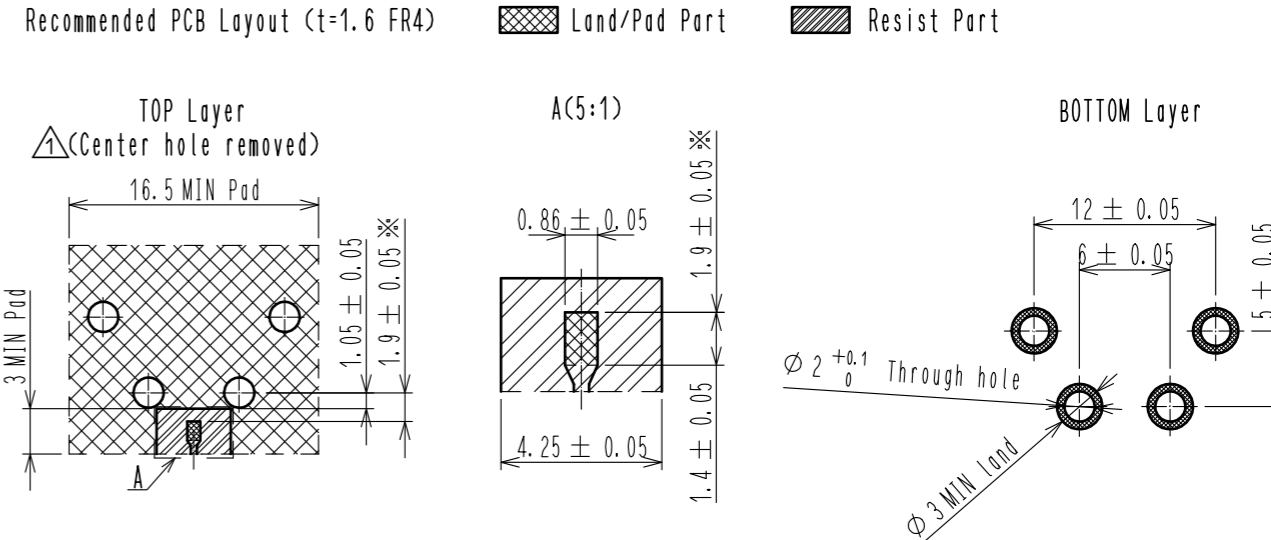
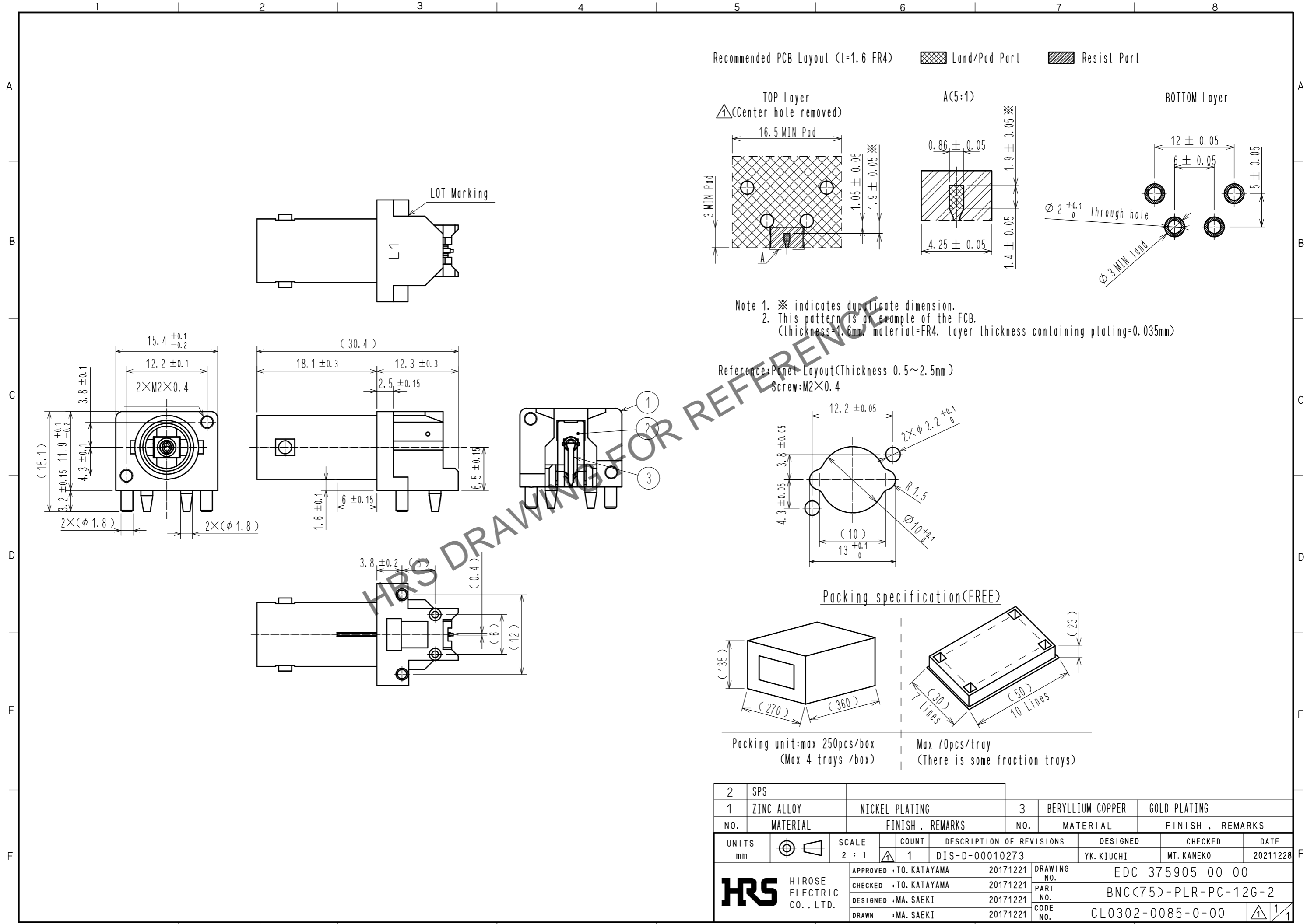
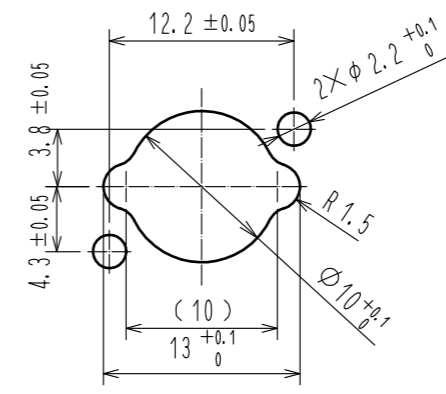


Jun.1.2024 Copyright 2024 HIROSE ELECTRIC CO., LTD. All Rights Reserved.
In case of consideration for using Automotive equipment / device which demand high reliability, kindly contact our sales window correspondents.

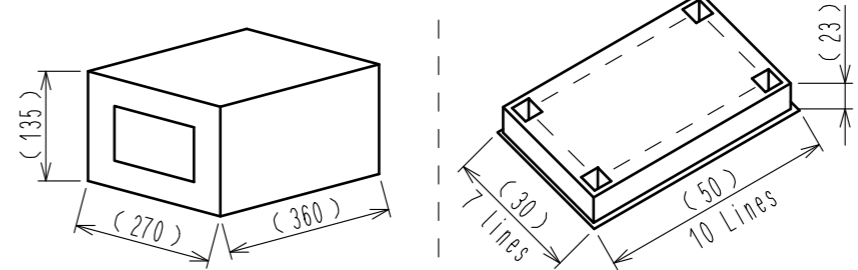


Note 1. ※ indicates duplicate dimension.
2. This pattern is an example of the PCB.
(thickness=1.6mm, material=FR4, layer thickness containing plating=0.035mm)

Reference: Panel Layout(Thickness 0.5~2.5mm)
Screw: M2x0.4



Packing specification(FREE)



Packing unit: max 250pcs/box
(Max 4 trays /box)

Max 70pcs/tray
(There is some fraction trays)

2	SPS							
1	ZINC ALLOY	NICKEL PLATING	3	BERYLLIUM COPPER	GOLD PLATING			
NO.	MATERIAL	FINISH, REMARKS	NO.	MATERIAL	FINISH, REMARKS			
UNITS	mm	SCALE	COUNT	DESCRIPTION OF REVISIONS		DESIGNED	CHECKED	DATE
		2 : 1	1	DIS-D-00010273		YK. KIUCHI	MT. KANEKO	20211228
HIROSE ELECTRIC CO., LTD.		APPROVED	: TO. KATAYAMA	20171221	DRAWING NO. EDC-375905-00-00			
		CHECKED	: TO. KATAYAMA	20171221	PART NO. BNC(75)-PLR-PC-12G-2			
		DESIGNED	: MA. SAEKI	20171221	CODE NO. CL0302-0085-0-00			
		DRAWN	: MA. SAEKI	20171221	1/1			