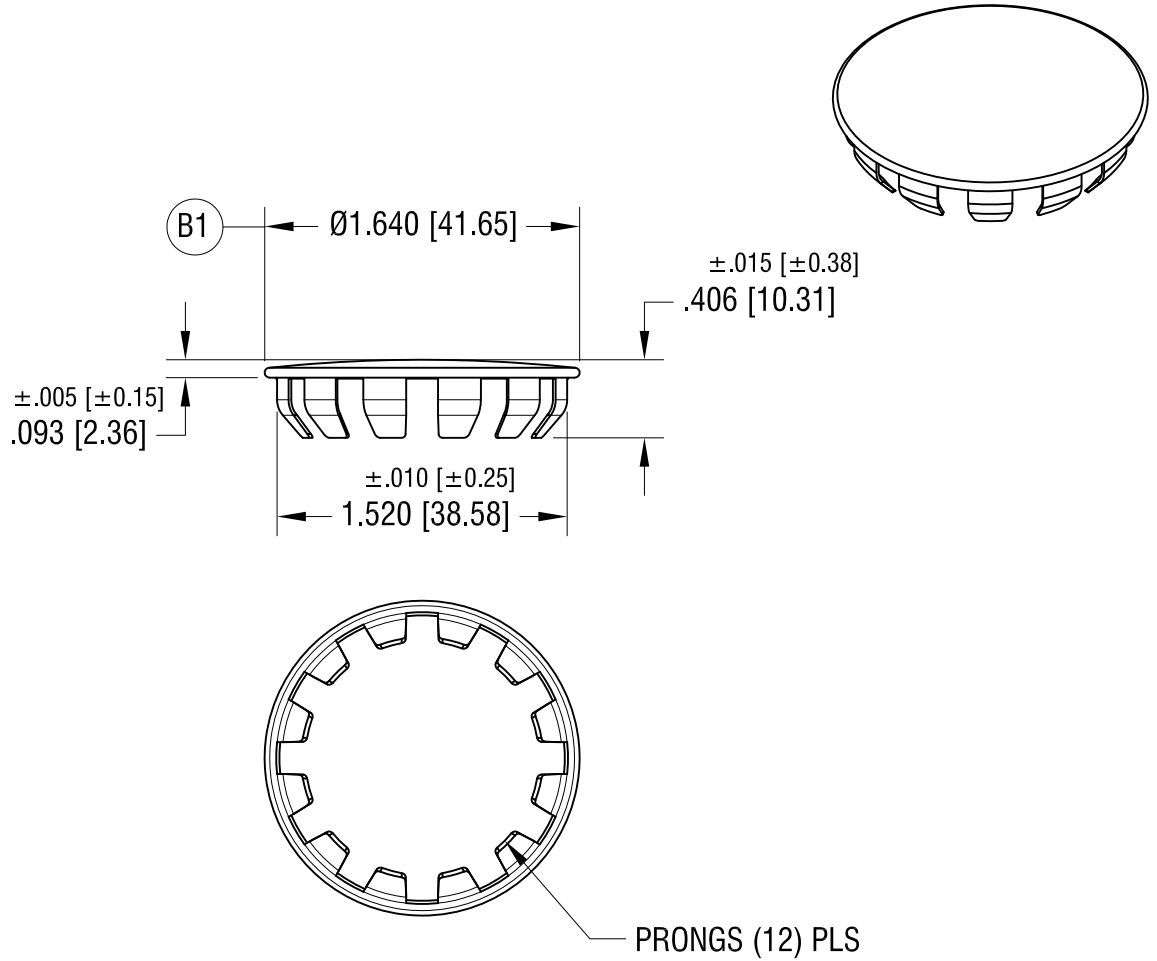


THIS DOCUMENT IS THE PROPERTY OF KEYSTONE ELECTRONICS CORP. AND SHALL NOT BE REPRODUCED, DISTRIBUTED OR USED AS A BASIS FOR MANUFACTURE WITHOUT PRIOR WRITTEN PERMISSION FROM KEYSTONE ELECTRONICS CORP.

ACTUAL SIZE



NOTE:

1. DESIGN FOR:

MAT'L THICKNESS $.032$ [0.81] - $.062$ [1.57]
FOR 1.5 [38.1] HOLE DIA.

2. PARTS MAY NEST DURING PROCESSING & SHIPPING

7.13.23	ADDED NOTE #2 CHANGE AS PER ECN 23-119	C
7.01.21	(B1) WAS $1.625 \pm .005$ CHANGE AS PER ECN 21-062	B
1.22.09	CHANGE AS PER ECN 09-003	A
DATE	DESCRIPTION	REV.

KEYSTONE ELECTRONICS CORP.			
www.keyelco.com • NEW HYDE PARK, NY 11040 • Tel (516) 328-7500			
PART NAME		HOLE PLUG	
MATERIAL		STEEL	
FINISH		DRN BY	DATE
NICKEL PLATE		NT	1.22.09
TOLERANCES		APP'D	SCALE
INCH [MM]		RH	
DECIMAL $\pm .005$ [± 0.13]		DWG NO.	
ANGULAR $\pm 1^\circ$		7611	
UNLESS OTHERWISE SPECIFIED		C	