

Thin-Film RF/Microwave Filters

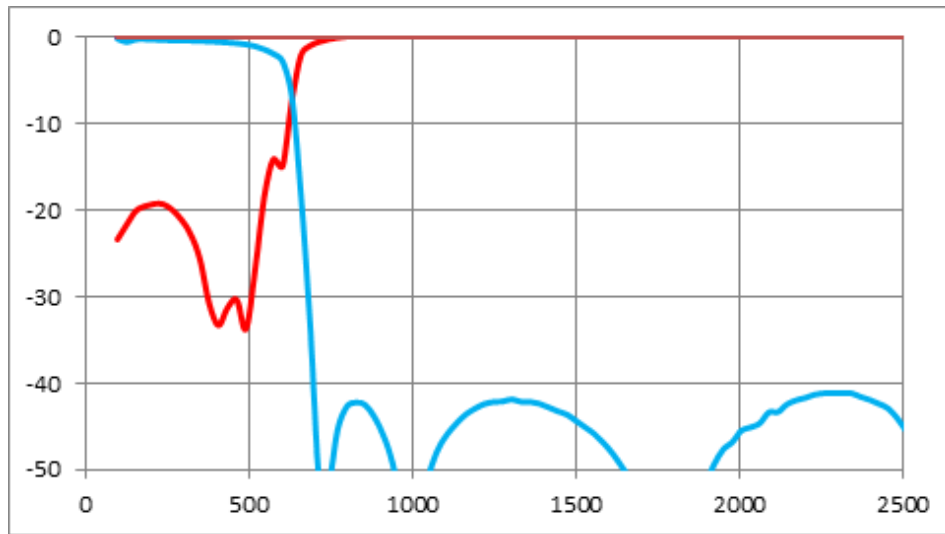
1206 High Performance Low Pass 12W

LP1206A0480ANTR – LGA Termination

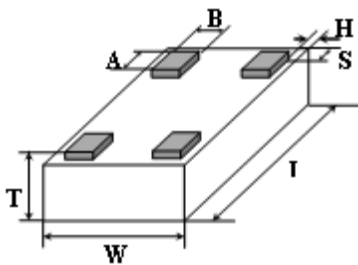
TYPICAL ELECTRICAL PERFORMANCE

Parameter	Value	Unit	Notes
Fc	480	MHz	
Insertion Loss	-1.2	dB	Max.
VSWR	1.5 : 1		Max. (all ports)
Rejection	-35	dB	Min. (700MHz to 2.5GHz)
Power Handling	12	W	Continuous
Impedance	50	Ohm	
Operating Temp.	-40 to +85	°C	
Size	1206		

[Click here to return to main table.](#)



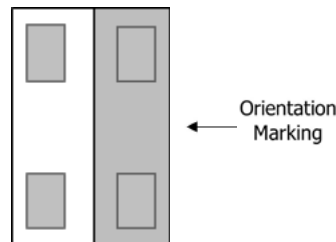
DIMENSIONS (BOTTOM VIEW)



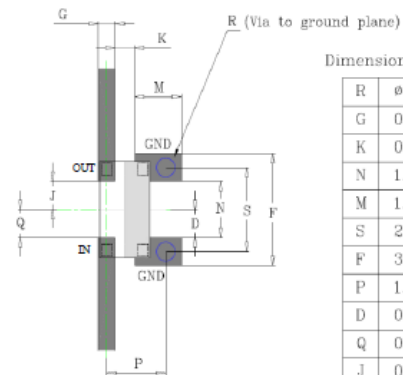
mm (inches)

L	3.10±0.10 (0.122±0.004)
W	1.60±0.10 (0.063±0.004)
T	0.60±0.30 (0.024±0.012)
A	0.39±0.10 0.015±0.004
B	0.33±0.10 0.013±0.004
H, S	0.05±0.05 (0.002±0.002)

TERMINALS (TOP VIEW)



RECOMMENDED PAD LAYOUT (TOP VIEW)



Dimensions: millimeters

R	ø0.6 (pl)
G	0.54±0.025
K	0.63±0.04
N	1.8±0.04
M	1.5±0.05
S	2.7±0.05
F	3.6±0.05
P	1.9±0.1
D	0.9±0.04
Q	0.9±0.04
J	0.9±0.04

*The recommended distance to the ground plane is 0.254mm (0.01")

** PCB : Taconic Orcer RF-35P

EVB P/N: 544-7075

Thin-Film RF/Microwave Filters

1206 High Performance Low Pass 12W

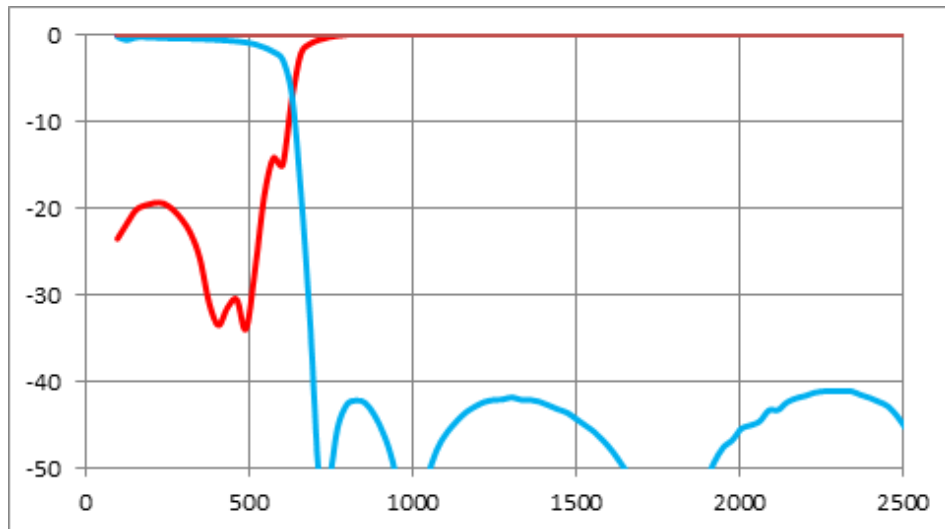
LP1206A0512BNTR – LGA Termination



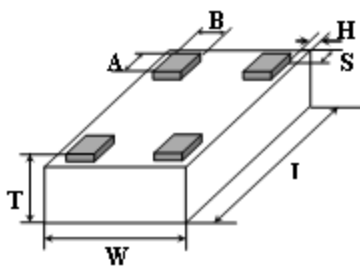
TYPICAL ELECTRICAL PERFORMANCE

Parameter	Value	Unit	Notes
Fc	512	MHz	
Insertion Loss	-0.8	dB	Max.
VSWR	2.3 : 1		Max. (all ports)
Rejection @ 900MHz	-35	dB	Min. (720MHz to 2GHz)
Power Handling	12	W	Continuous
Impedance	50	Ohm	
Operating Temp.	-40 to +85	°C	
Size	1206		

[Click here to return to main table.](#)



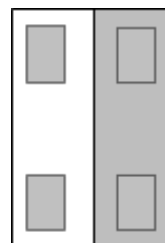
DIMENSIONS (BOTTOM VIEW)



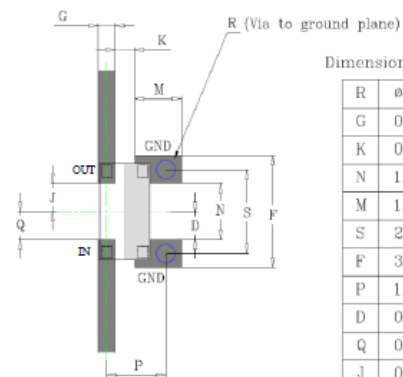
mm (inches)

L	3.10±0.10 (0.122±0.004)
W	1.60±0.10 (0.063±0.004)
T	0.60±0.30 (0.024±0.012)
A	0.39±0.10 0.015±0.004
B	0.33±0.10 0.013±0.004
H, S	0.05±0.05 (0.002±0.002)

TERMINALS (TOP VIEW)



RECOMMENDED PAD LAYOUT (TOP VIEW)



Dimensions: millimeters

R	∅0.6 (pl)
G	0.54±0.025
K	0.63±0.04
N	1.8±0.04
M	1.5±0.05
S	2.7±0.05
F	3.6±0.05
P	1.9±0.1
D	0.9±0.04
Q	0.9±0.04
J	0.9±0.04

*The recommended distance to the ground plane is 0.254mm (0.01")
** PCB : Taconic Orcer RF-35P

EVB P/N: 544-7075

Thin-Film RF/Microwave Filters

1206 Harmonic Low Pass Filter

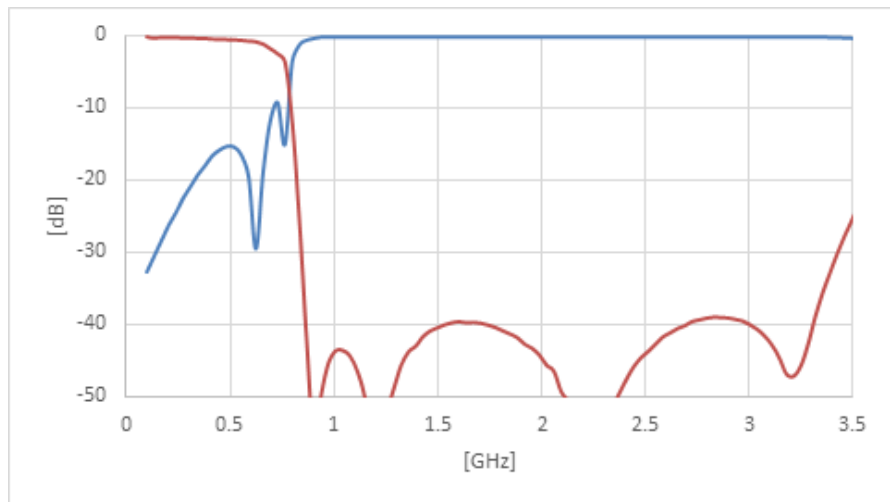
LP1206A0512CNTR – LGA Termination



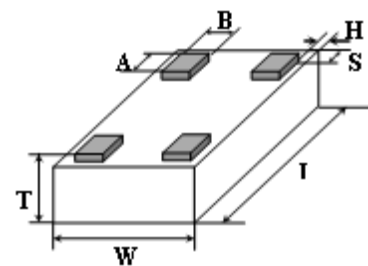
TYPICAL ELECTRICAL PERFORMANCE

Parameter	Value	Unit	Notes
Fc	512	MHz	
Insertion Loss	-1.5	dB	Max.
VSWR	2.3:1		Max. (all ports)
Rejection @ 678MHz	-40	dB	Min.
Rejection @ 700 - 2500 MHz	-35	dB	
Power Handling	12	W	Continuous
Impedance	50	Ohm	
Operating Temp.	-40 to +85	°C	
Size	1206		

[Click here to return to main table.](#)



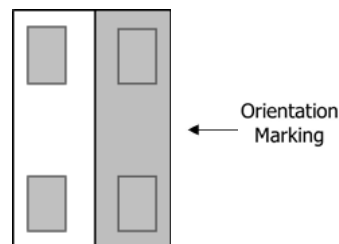
DIMENSIONS (BOTTOM VIEW)



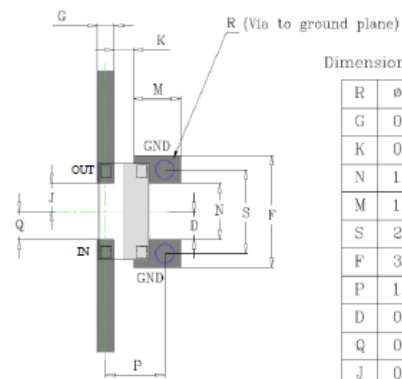
mm (inches)

L	3.10±0.10 (0.122±0.004)
W	1.60±0.10 (0.063±0.004)
T	0.60±0.30 (0.024±0.012)
A	0.39±0.10 0.015±0.004
B	0.33±0.10 0.013±0.004
H, S	0.05±0.05 (0.002±0.002)

TERMINALS (TOP VIEW)



RECOMMENDED PAD LAYOUT (TOP VIEW)



Dimensions: millimeters

R	∅0.6 (pl)
G	0.54±0.025
K	0.63±0.04
N	1.8±0.04
M	1.5±0.05
S	2.7±0.05
F	3.6±0.05
P	1.9±0.1
D	0.9±0.04
Q	0.9±0.04
J	0.9±0.04

*The recommended distance to the ground plane is 0.254mm (0.01")
** PCB : Taconic Orcer RF-35P

EVB P/N: 544-7075

Thin-Film RF/Microwave Filters

1206 High Performance Low Pass 12W

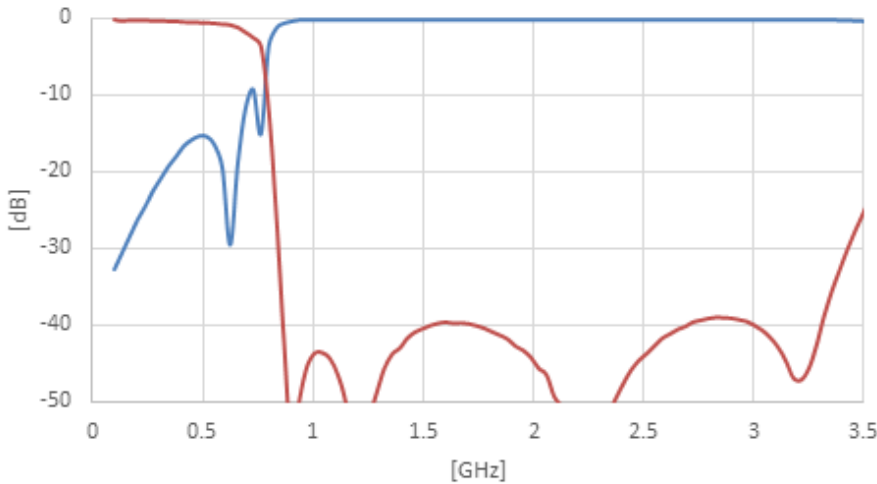
LP1206A0600ANTR – LGA Termination



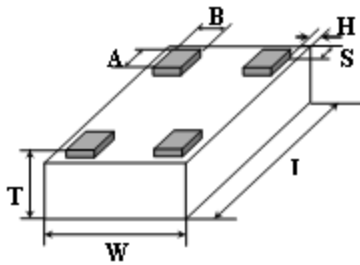
TYPICAL ELECTRICAL PERFORMANCE

Parameter	Value	Unit	Notes
Fc	600	MHz	
Insertion Loss	-0.8	dB	Max.
VSWR	1.22: 1		Max. (all ports)
Rejection	-40	dB	Typ. (900MHz to 3GHz)
Power Handling	12	W	Continuous
Impedance	50	Ohm	
Operating Temp.	-40 to +85	°C	
Size	1206		

Click here to return to main table.



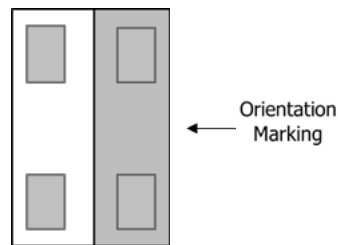
DIMENSIONS (BOTTOM VIEW)



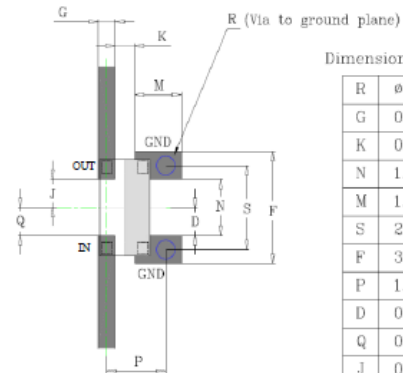
mm (inches)

L	3.10±0.10 (0.122±0.004)
W	1.60±0.10 (0.063±0.004)
T	0.60±0.30 (0.024±0.012)
A	0.39±0.10 0.015±0.004
B	0.33±0.10 0.013±0.004
H, S	0.05±0.05 (0.002±0.002)

TERMINALS (TOP VIEW)



RECOMMENDED PAD LAYOUT (TOP VIEW)



Dimensions: millimeters

R	ø0.6 (pl)
G	0.54±0.025
K	0.63±0.04
N	1.8±0.04
M	1.5±0.05
S	2.7±0.05
F	3.6±0.05
P	1.9±0.1
D	0.9±0.04
Q	0.9±0.04
J	0.9±0.04

*The recommended distance to the ground plane is 0.254mm (0.01")

** PCB : Taconic Orcer RF-35P

EVB P/N: 544-7075

Thin-Film RF/Microwave Filters

1206 High Performance Low Pass 12W

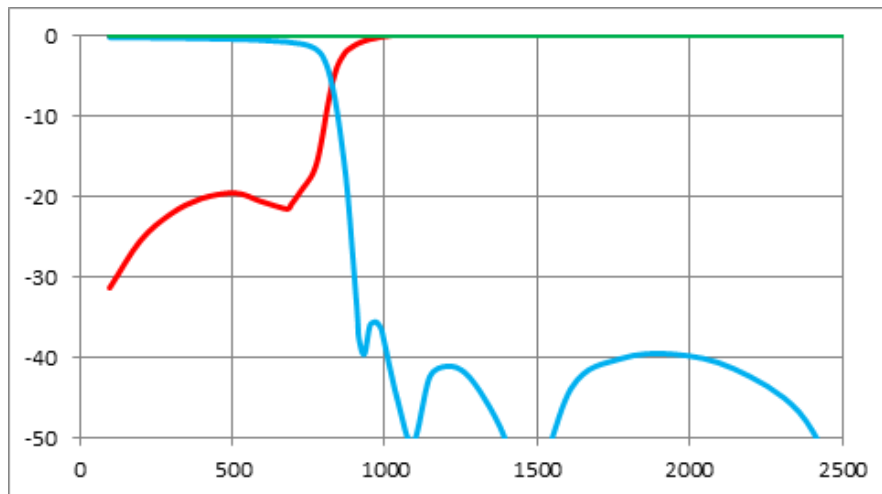
LP1206A0700ANTR – LGA Termination



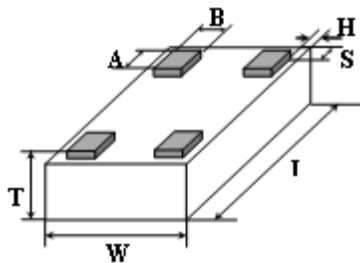
TYPICAL ELECTRICAL PERFORMANCE

Parameter	Value	Unit	Notes
Fc	700	MHz	
Rejection @ 1GHz	-35	dB	Min. (1GHz to 2GHz)
Insertion Loss	0.9	dB	Max.
VSWR	2.3:1		Max. (all ports)
Power Handling	12	W	Continuous
Impedance	50	Ohm	
Operating Temp.	-40 to +85	°C	
Size	1206		

[Click here to return to main table.](#)



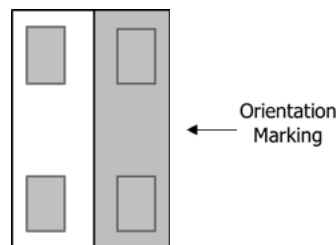
DIMENSIONS (BOTTOM VIEW)



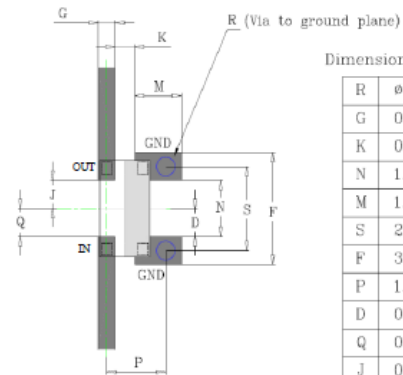
mm (inches)

L	3.10±0.10 (0.122±0.004)
W	1.60±0.10 (0.063±0.004)
T	0.60±0.30 (0.024±0.012)
A	0.39±0.10 0.015±0.004
B	0.33±0.10 0.013±0.004
H, S	0.05±0.05 (0.002±0.002)

TERMINALS (TOP VIEW)



RECOMMENDED PAD LAYOUT (TOP VIEW)



Dimensions: millimeters

R	ø0.6 (pl)
G	0.54±0.025
K	0.63±0.04
N	1.8±0.04
M	1.5±0.05
S	2.7±0.05
F	3.6±0.05
P	1.9±0.1
D	0.9±0.04
Q	0.9±0.04
J	0.9±0.04

*The recommended distance to the ground plane is 0.254mm (0.01")

** PCB : Taconic Orcer RF-35P

EVB P/N: 544-7075

Thin-Film RF/Microwave Filters

1206 High Performance Low Pass 12W

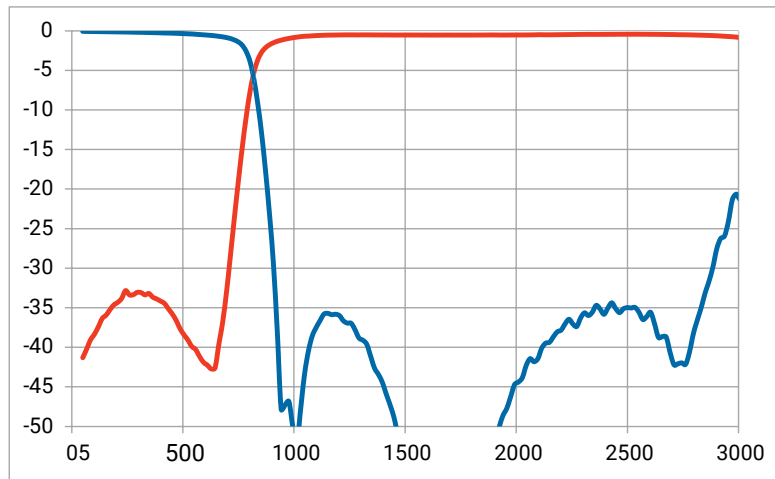
LP1206A0720ANTR – LGA Termination



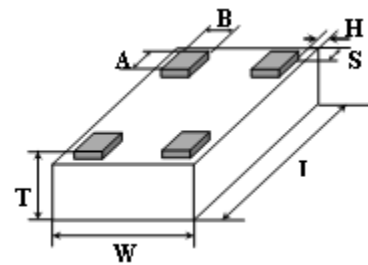
TYPICAL ELECTRICAL PERFORMANCE

Parameter	Value	Unit	Notes
Fc	720	MHz	
Insertion Loss	-1.2	dB	Max.
VSWR	1.49 : 1		Max. (all ports)
Rejection	-15	dB	Typ. (875 MHz to 2.5GHz)
Power Handling	12	W	Continuous
Impedance	50	Ohm	
Operating Temp.	-40 to +85	°C	
Size	1206		

Click here to return to main table.



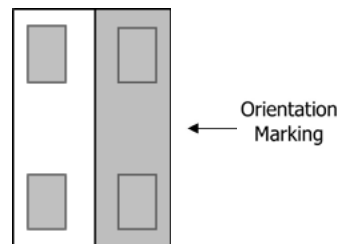
DIMENSIONS (BOTTOM VIEW)



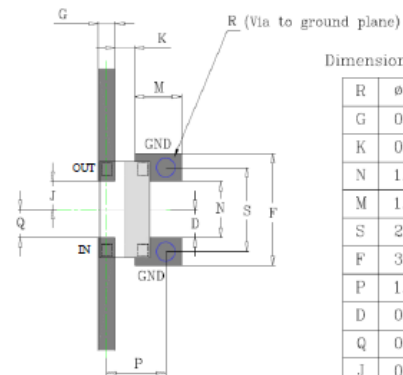
mm (inches)

L	3.10±0.10 (0.122±0.004)
W	1.60±0.10 (0.063±0.004)
T	0.60±0.30 (0.024±0.012)
A	0.39±0.10 0.015±0.004
B	0.33±0.10 0.013±0.004
H, S	0.05±0.05 (0.002±0.002)

TERMINALS (TOP VIEW)



RECOMMENDED PAD LAYOUT (TOP VIEW)



Dimensions: millimeters

R	∅0.6 (pl)
G	0.54±0.025
K	0.63±0.04
N	1.8±0.04
M	1.5±0.05
S	2.7±0.05
F	3.6±0.05
P	1.9±0.1
D	0.9±0.04
Q	0.9±0.04
J	0.9±0.04

*The recommended distance to the ground plane is 0.254mm (0.01")

** PCB : Taconic Orcer RF-35P

EVB P/N: 544-7075

Thin-Film RF/Microwave Filters

High Performance Low Pass Filters

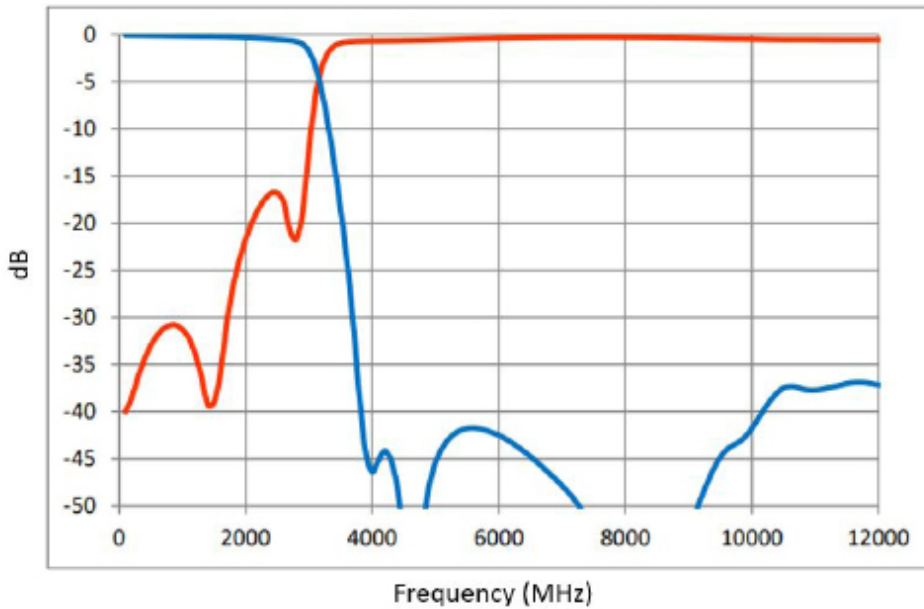
LP1206A2000ANTR – LGA Termination



TYPICAL ELECTRICAL PERFORMANCE

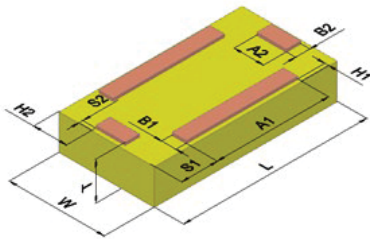
Parameter	Value	Unit	Notes
Fc	2000	MHz	
Insertion Loss	-0.7	dB	Max.
VSWR	1.66 : 1		Max. (all ports)
Rejection	-35	dB	Typ. (4.0 – 8.0 GHz)
Power Handling	12	W	Continuous
Impedance	50	Ohm	
Operating Temp.	-40 to +85	°C	
Size	1206		

Click here to return to main table.



DIMENSIONS: mm (inches)

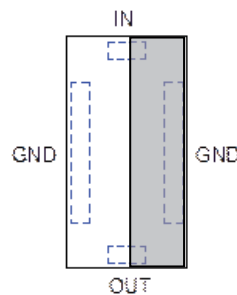
(Bottom View)



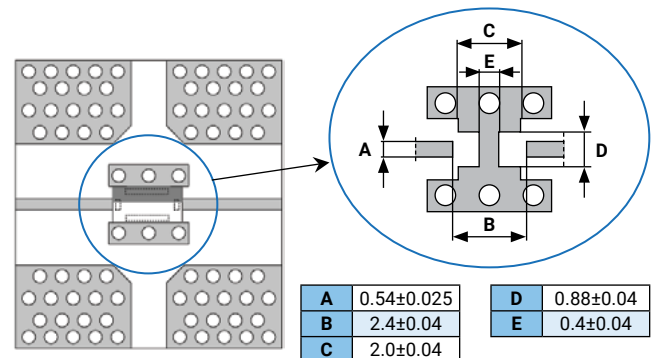
L	3.1±0.1	B1,B2	0.25±0.1
W	1.6±0.1	H1	0.06±0.06
T	0.6±0.3	H2	0.56±0.10
A1	1.9±0.1	S1	0.61±0.1
A2	0.5±0.1	S2	0.06±0.06

TERMINALS:

(Top View)



RECOMMENDED PAD LAYOUT: (mm)



*The recommended distance to the ground plane is 0.254mm (0.01")
 ** PCB : Taconic Orcer RF-35P

EVB P/N: 544-7090

Thin-Film RF/Microwave Filters

High Performance Low Pass Filters

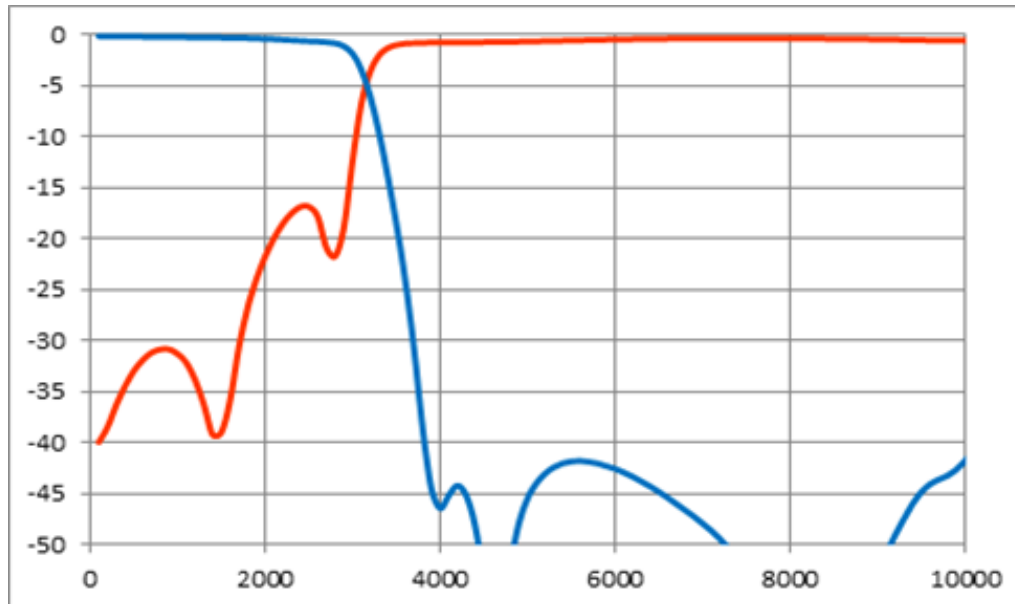
LP1206A2500ANTR – LGA Termination



TYPICAL ELECTRICAL PERFORMANCE

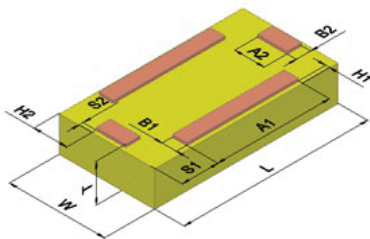
Parameter	Value	Unit	Notes
Fc	2500	MHz	
Insertion Loss	-0.7	dB	Max.
VSWR	1.66 : 1		Max. (all ports)
Rejection	-35	dB	Typ. (5.0 – 10.0 GHz)
Power Handling	12	W	Continuous
Impedance	50	Ohm	
Operating Temp.	-40 to +85	°C	
Size	1206		

Click here to return to main table.



DIMENSIONS: mm (inches)

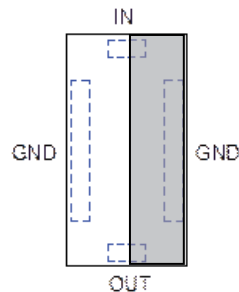
(Bottom View)



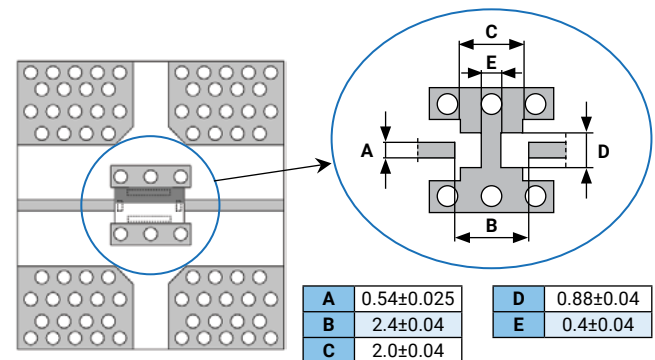
L	3.1±0.1	B1,B2	0.25±0.1
W	1.6±0.1	H1	0.06±0.06
T	0.6±0.3	H2	0.56±0.10
A1	1.9±0.1	S1	0.61±0.1
A2	0.5±0.1	S2	0.06±0.06

TERMINALS:

(Top View)



RECOMMENDED PAD LAYOUT: (mm)



*The recommended distance to the ground plane is 0.254mm (0.01")
 ** PCB : Taconic Orcer RF-35P

EVB P/N: 544-7090

Thin-Film RF/Microwave Filters

High Performance Low Pass Filters

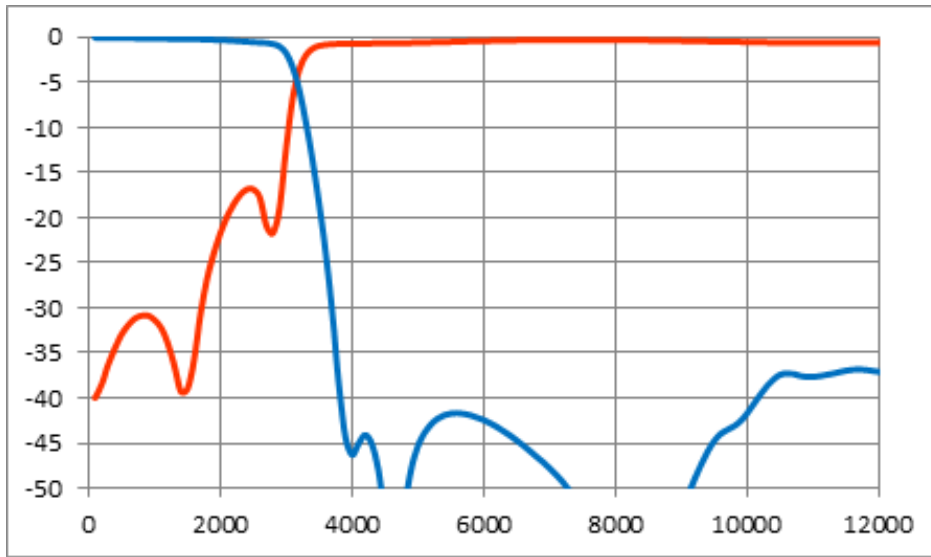
LP1206A2700ANTR – LGA Termination



TYPICAL ELECTRICAL PERFORMANCE

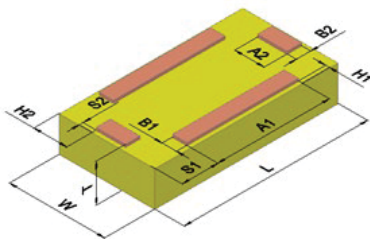
Parameter	Value	Unit	Notes
Fc	2700	MHz	
Insertion Loss	-0.85	dB	Max.
VSWR	1.66 : 1		Max. (all ports)
Rejection	-35	dB	Typ. (5.4 – 10.0 GHz)
Rejection	-30	dB	Typ. (10.0 – 11.5 GHz)
Power Handling	12	W	Continuous
Impedance	50	Ohm	
Operating Temp.	-40 to +85	°C	
Size	1206		

[Click here to return to main table.](#)



DIMENSIONS: mm (inches)

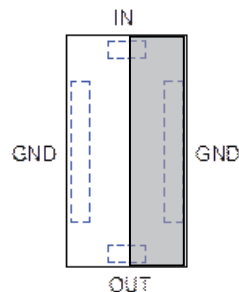
(Bottom View)



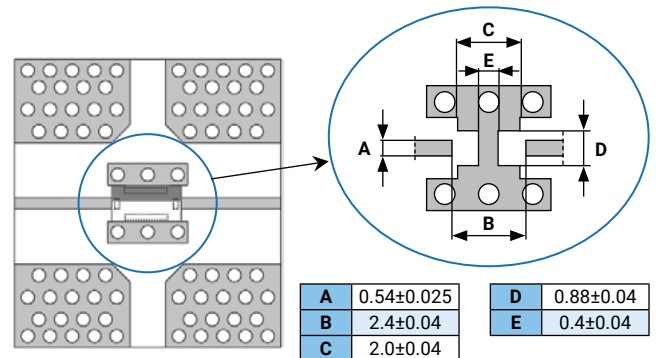
L	3.1±0.1	B1,B2	0.25±0.1
W	1.6±0.1	H1	0.06±0.06
T	0.6±0.3	H2	0.56±0.10
A1	1.9±0.1	S1	0.61±0.1
A2	0.5±0.1	S2	0.06±0.06

TERMINALS:

(Top View)



RECOMMENDED PAD LAYOUT: (mm)



*The recommended distance to the ground plane is 0.254mm (0.01")
 ** PCB : Taconic Orer RF-35P

EVB P/N: 544-7090

Thin-Film RF/Microwave Filters

High Performance Low Pass Filters

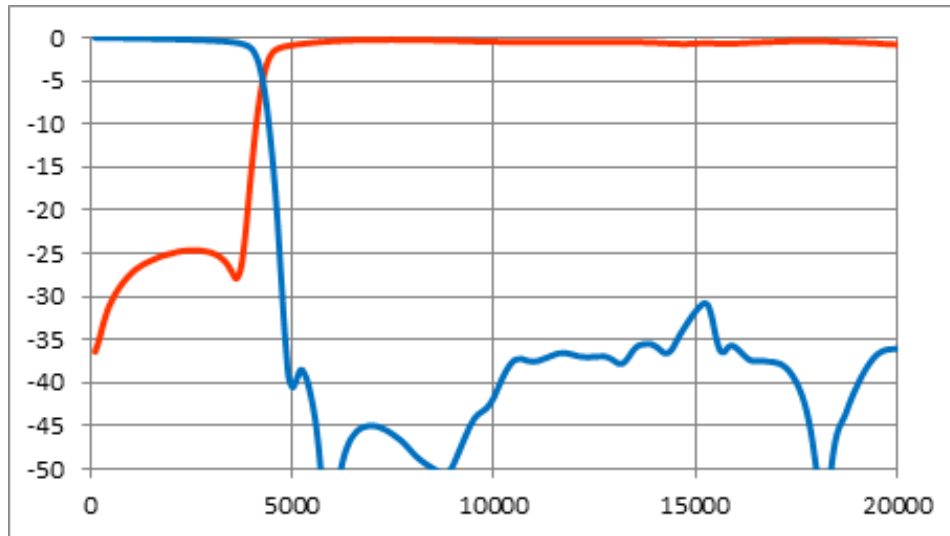
LP1206A3000ANTR – LGA Termination



TYPICAL ELECTRICAL PERFORMANCE

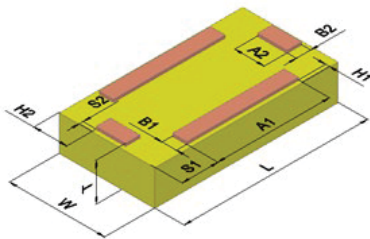
Parameter	Value	Unit	Notes
Fc	3000	MHz	
Insertion Loss	-0.7	dB	Max.
VSWR	1.66 : 1		Max. (all ports)
Rejection	-40	dB	Typ. (6.0 - 9.0 GHz)
Rejection	-30	dB	Typ. (9.0 - 12.0 GHz)
Power Handling	12	W	Continuous
Impedance	50	Ohm	
Operating Temp.	-40 to +85	°C	
Size	1206		

[Click here to return to main table.](#)



DIMENSIONS: mm (inches)

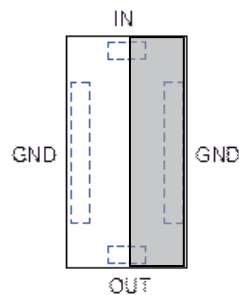
(Bottom View)



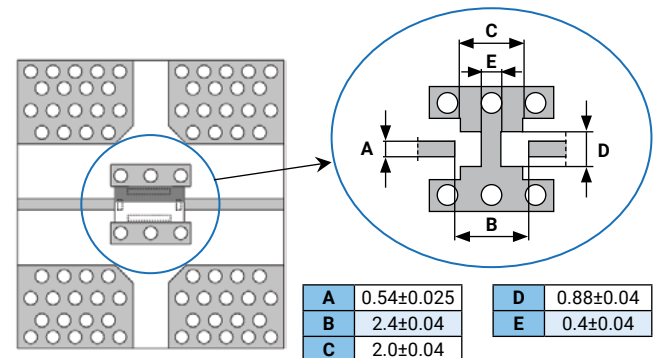
L	3.1±0.1	B1,B2	0.25±0.1
W	1.6±0.1	H1	0.06±0.06
T	0.6±0.3	H2	0.56±0.10
A1	1.9±0.1	S1	0.61±0.1
A2	0.5±0.1	S2	0.06±0.06

TERMINALS:

(Top View)



RECOMMENDED PAD LAYOUT: (mm)



*The recommended distance to the ground plane is 0.254mm (0.01")

** PCB : Taconic Orcer RF-35P

EVB P/N: 544-7090

Thin-Film RF/Microwave Filters

High Performance Low Pass Filters

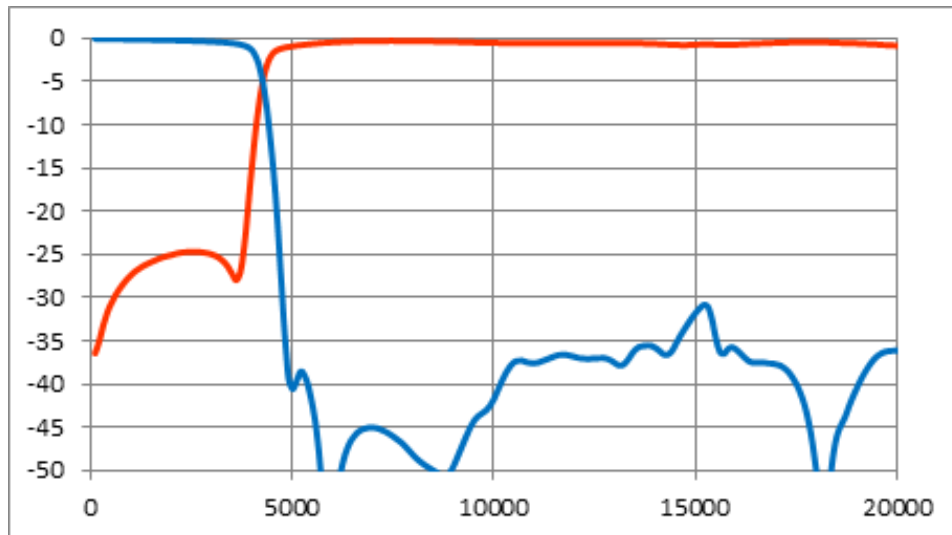
LP1206A3200ANTR – LGA Termination



TYPICAL ELECTRICAL PERFORMANCE

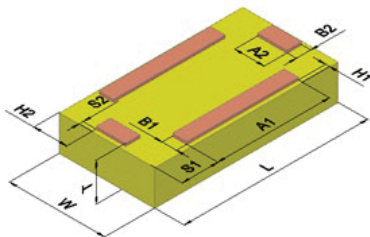
Parameter	Value	Unit	Notes
Fc	3200	MHz	
Insertion Loss	-0.7	dB	Max.
VSWR	1.66 : 1		Max. (all ports)
Rejection	-38	dB	Typ. (6.4 – 10.0 GHz)
Rejection	-30	dB	Typ. (10.0 – 12.8 GHz)
Power Handling	12	W	Continuous
Impedance	50	Ohm	
Operating Temp.	-40 to +85	°C	
Size	1206		

[Click here to return to main table.](#)



DIMENSIONS: mm (inches)

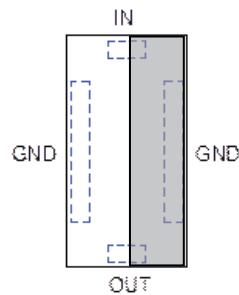
(Bottom View)



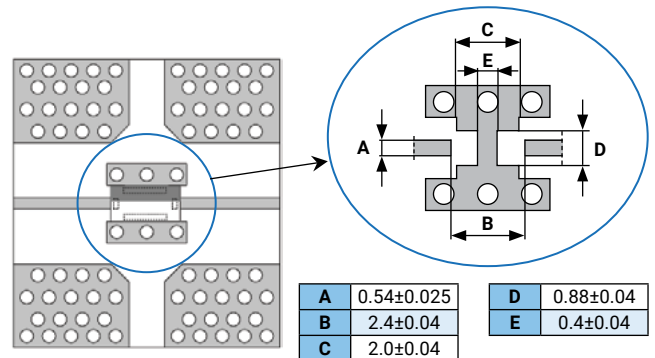
L	3.1±0.1	B1,B2	0.25±0.1
W	1.6±0.1	H1	0.06±0.06
T	0.6±0.3	H2	0.56±0.10
A1	1.9±0.1	S1	0.61±0.1
A2	0.5±0.1	S2	0.06±0.06

TERMINALS:

(Top View)



RECOMMENDED PAD LAYOUT: (mm)



*The recommended distance to the ground plane is 0.254mm (0.01")
 ** PCB : Taconic Orcer RF-35P

EVB P/N: 544-7090

Thin-Film RF/Microwave Filters

High Performance Low Pass Filters

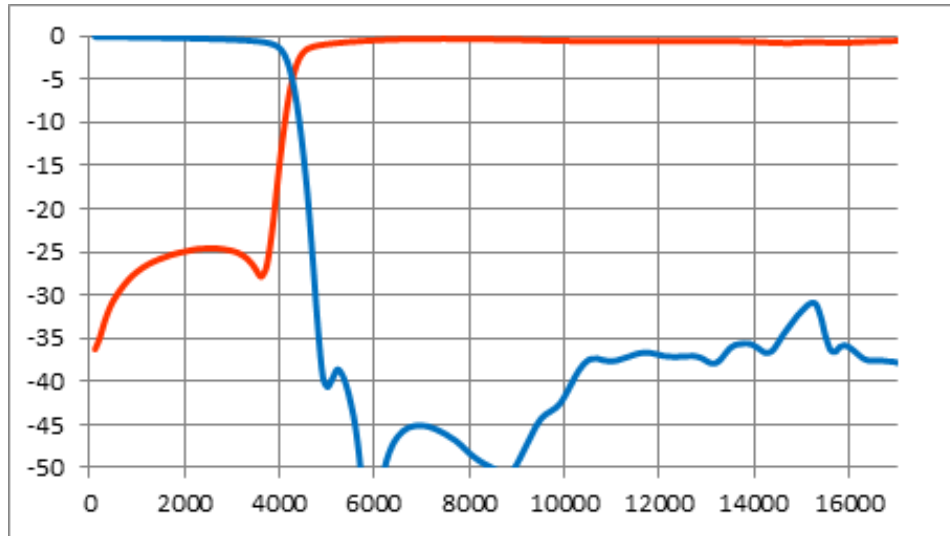
LP1206A3300ANTR – LGA Termination



TYPICAL ELECTRICAL PERFORMANCE

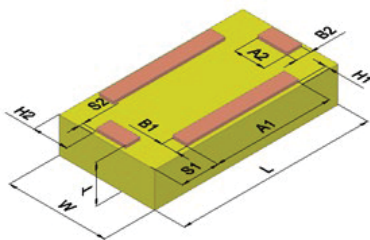
Parameter	Value	Unit	Notes
Fc	3300	MHz	
Insertion Loss	-0.7	dB	Max.
VSWR	1.66 : 1		Max. (all ports)
Rejection	-38	dB	Typ. (6.4 – 10.0 GHz)
Rejection	-30	dB	Typ. (10.0 – 12.8 GHz)
Power Handling	12	W	Continuous
Impedance	50	Ohm	
Operating Temp.	-40 to +85	°C	
Size	1206		

[Click here to return to main table.](#)



DIMENSIONS: mm (inches)

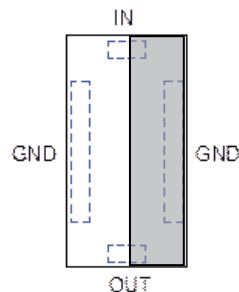
(Bottom View)



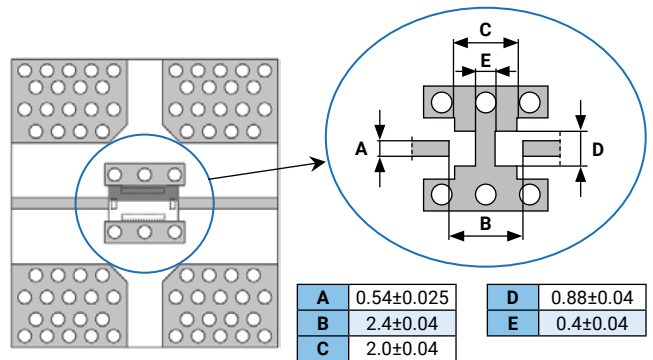
L	3.1±0.1	B1,B2	0.25±0.1
W	1.6±0.1	H1	0.06±0.06
T	0.6±0.3	H2	0.56±0.10
A1	1.9±0.1	S1	0.61±0.1
A2	0.5±0.1	S2	0.06±0.06

TERMINALS:

(Top View)



RECOMMENDED PAD LAYOUT: (mm)



*The recommended distance to the ground plane is 0.254mm (0.01")
 ** PCB : Taconic Orer RF-35P

EVB P/N: 544-7090

Thin-Film RF/Microwave Filters

High Performance Low Pass Filters

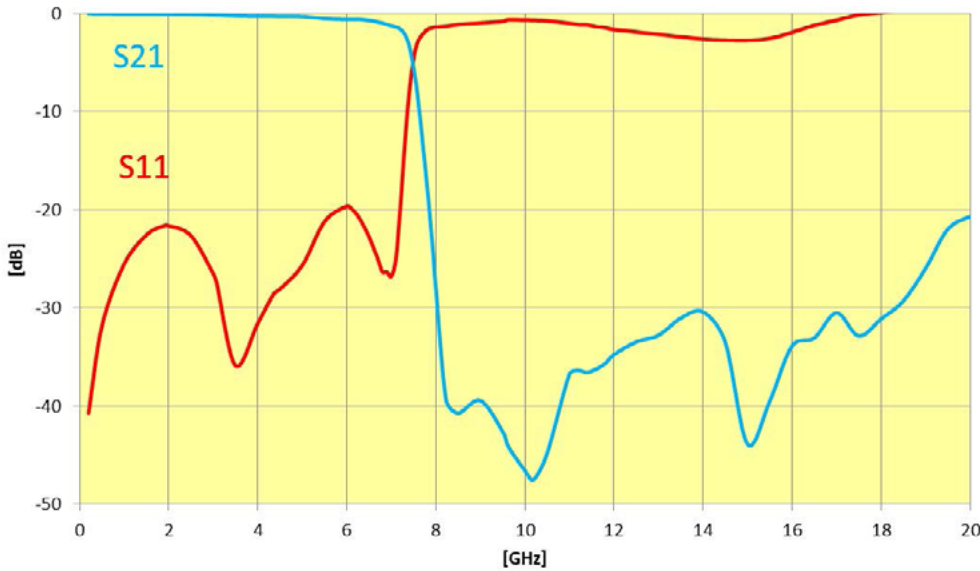
LP1206A3400ANTR – LGA Termination



TYPICAL ELECTRICAL PERFORMANCE

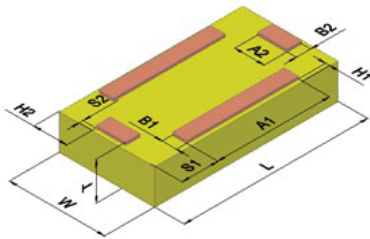
Parameter	Value	Unit	Notes
Fc	3400	MHz	
Passband	3.4	GHz	
Insertion Loss @ 3.4 GHz	-0.30	dB	Max. (-0.25 typical)
Return Loss @ 3.4 GHz	-20	dB	
Rejection @ 8.7-10.5GHz	-35	dB	Min.
Power Handling	12	W	RF Continuous
Impedance	50	Ohm	
Operating Temp.	-40 to +100	°C	
Size	1206		

[Click here to return to main table.](#)



DIMENSIONS: mm (inches)

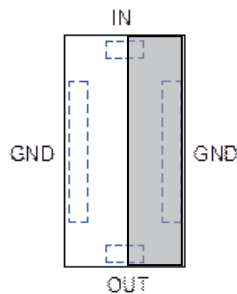
(Bottom View)



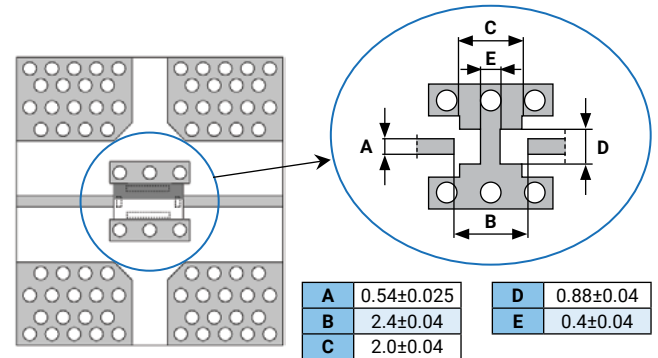
L	3.1±0.1	B1,B2	0.25±0.1
W	1.6±0.1	H1	0.06±0.06
T	0.6±0.3	H2	0.56±0.10
A1	1.9±0.1	S1	0.61±0.1
A2	0.5±0.1	S2	0.06±0.06

TERMINALS:

(Top View)



RECOMMENDED PAD LAYOUT: (mm)



*The recommended distance to the ground plane is 0.254mm (0.01")
 ** PCB : Taconic Orcer RF-35P

EVB P/N: 544-7090

Thin-Film RF/Microwave Filters

High Performance Low Pass Filters

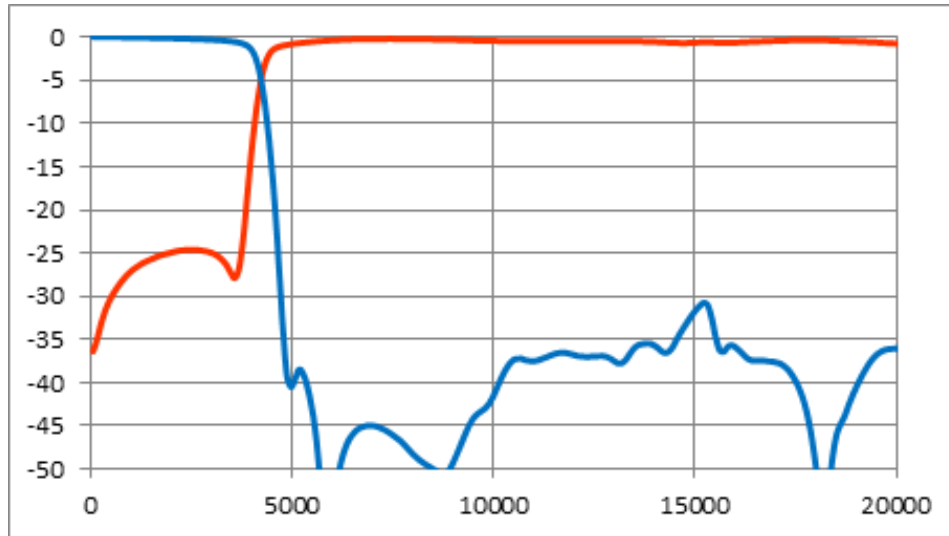
LP1206A3500ANTR – LGA Termination



TYPICAL ELECTRICAL PERFORMANCE

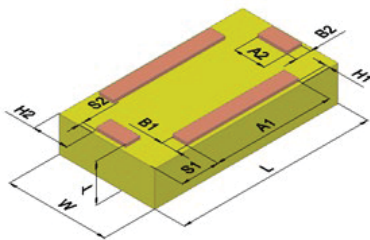
Parameter	Value	Unit	Notes
Fc	3500	MHz	
Insertion Loss	-0.7	dB	Max.
VSWR	1.66 : 1		Max. (all ports)
Rejection	-38	dB	Typ. (6.0 – 10.5 GHz)
Rejection	-30	dB	Typ. (10.5 – 15 GHz)
Power Handling	12	W	Continuous
Impedance	50	Ohm	
Operating Temp.	-40 to +85	°C	
Size	1206		

[Click here to return to main table.](#)



DIMENSIONS: mm (inches)

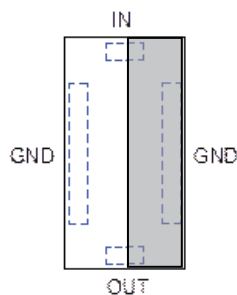
(Bottom View)



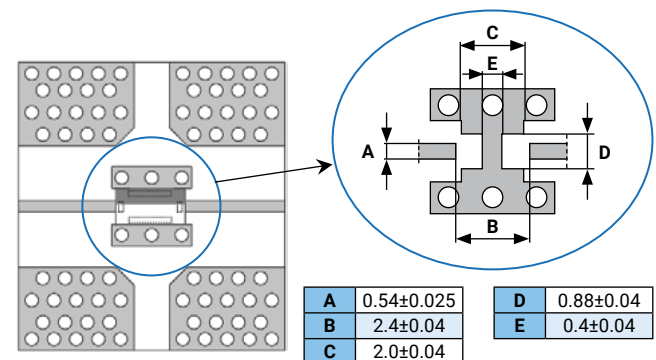
L	3.1±0.1	B1,B2	0.25±0.1
W	1.6±0.1	H1	0.06±0.06
T	0.6±0.3	H2	0.56±0.10
A1	1.9±0.1	S1	0.61±0.1
A2	0.5±0.1	S2	0.06±0.06

TERMINALS:

(Top View)



RECOMMENDED PAD LAYOUT: (mm)



*The recommended distance to the ground plane is 0.254mm (0.01")
 ** PCB : Taconic Orcer RF-35P

EVB P/N: 544-7090

Thin-Film RF/Microwave Filters

1206 High Performance Low Pass 12W

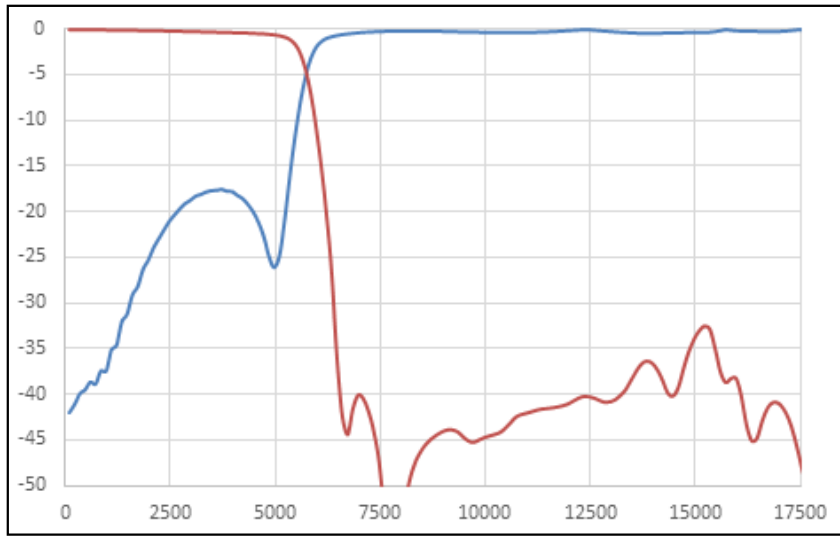
LP1206A4200ANTR – LGA Termination



TYPICAL ELECTRICAL PERFORMANCE

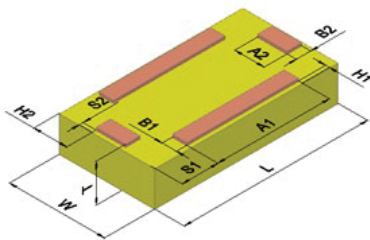
Parameter	Value	Unit	Notes
Fc	4200	MHz	
Insertion Loss	-0.5	dB	Max.
VSWR	1.66 : 1		Max. (all ports)
Rejection	-30	dB	Typ. (6.6 - 17 GHz)
Power Handling	12	W	Continuous
Impedance	50	Ohm	
Operating Temp.	-40 to +85	°C	
Size	1206		

[Click here to return to main table.](#)



DIMENSIONS: mm (inches)

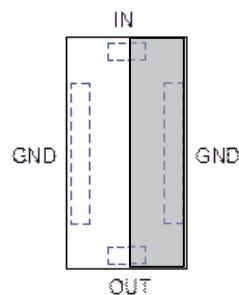
(Bottom View)



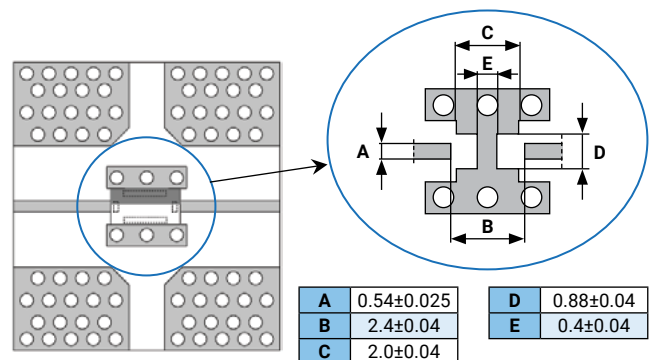
L	3.1±0.1	B1,B2	0.25±0.1
W	1.6±0.1	H1	0.06±0.06
T	0.6±0.3	H2	0.56±0.10
A1	1.9±0.1	S1	0.61±0.1
A2	0.5±0.1	S2	0.06±0.06

TERMINALS:

(Top View)



RECOMMENDED PAD LAYOUT: (mm)



*The recommended distance to the ground plane is 0.254mm (0.01")
 ** PCB : Taconic Orcer RF-35P

EVB P/N: 544-7090

Thin-Film RF/Microwave Filters

1206 High Performance Low Pass 12W

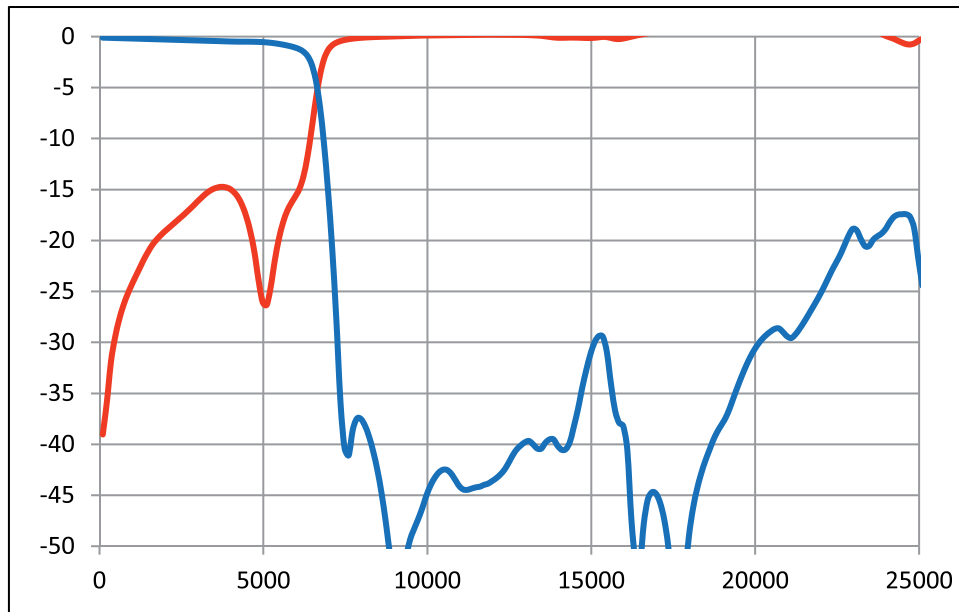
LP1206A5000ANTR – LGA Termination



TYPICAL ELECTRICAL PERFORMANCE

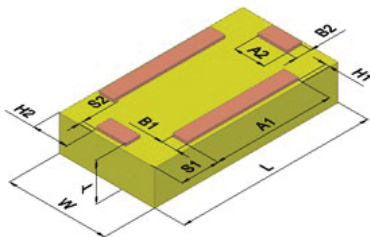
Parameter	Value	Unit	Notes
Fc	5000	MHz	
Insertion Loss	-0.7	dB	
R. Loss 0-5GHz	-15	dB	
Rejection	-35	dB	Min. 9.0 - 14.0 GHz
Rejection	-25	dB	Min. 14.0 - 20.0
Power Handling	12	W	RF Continuous
Impedance	50	Ohm	
Operating Temp.	-40 to +85	°C	
Size	1206		

[Click here to return to main table.](#)



DIMENSIONS: mm (inches)

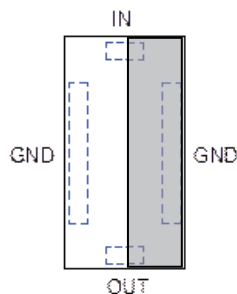
(Bottom View)



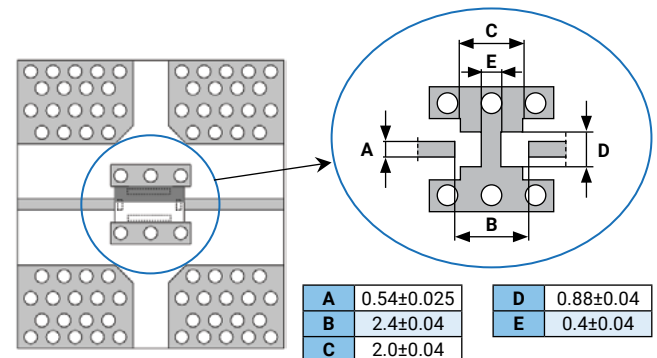
L	3.1±0.1	B1,B2	0.25±0.1
W	1.6±0.1	H1	0.06±0.06
T	0.6±0.3	H2	0.56±0.10
A1	1.9±0.1	S1	0.61±0.1
A2	0.5±0.1	S2	0.06±0.06

TERMINALS:

(Top View)



RECOMMENDED PAD LAYOUT: (mm)



*The recommended distance to the ground plane is 0.254mm (0.01")
 ** PCB : Taconic Orcer RF-35P

EVB P/N: 544-7090

Thin-Film RF/Microwave Filters

1206 High Performance Low Pass 12W

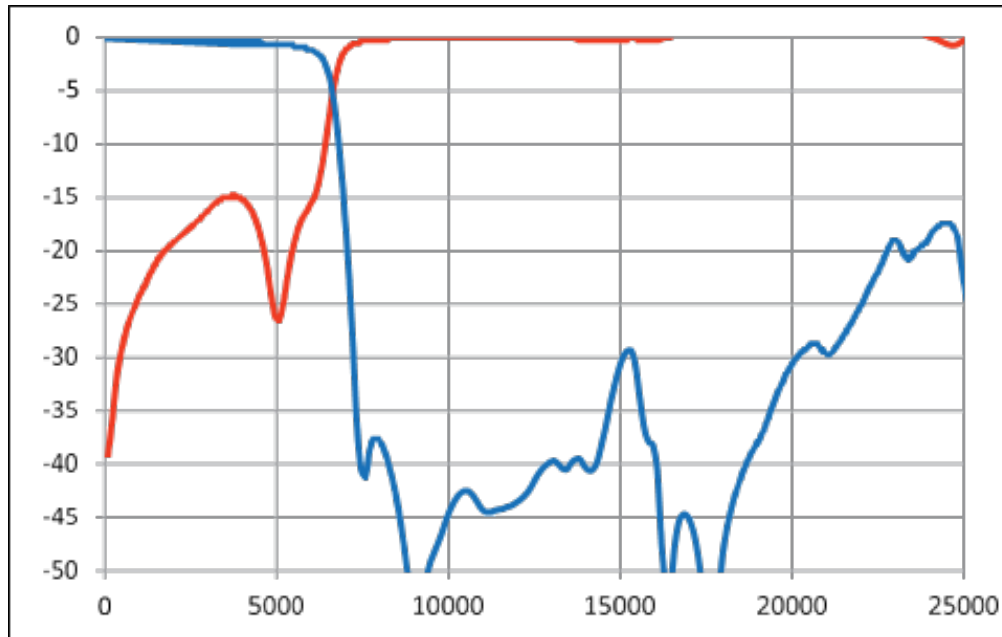
LP1206A5200ANTR – LGA Termination



TYPICAL ELECTRICAL PERFORMANCE

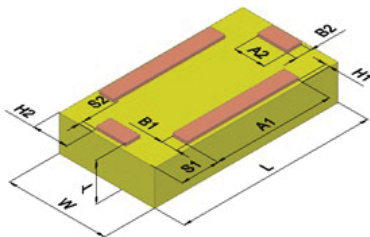
Parameter	Value	Unit	Notes
Fc	5200	MHz	
Insertion Loss	-0.75	dB	
R. Loss 0-5GHz	-15	dB	
Rejection	-35	dB	Min. 8.0 - 14.0 GHz
Rejection	-25	dB	Min. 14.0 - 20.0
Power Handling	12	W	RF Continuous
Impedance	50	Ohm	
Operating Temp.	-40 to +85	°C	
Size	1206		

[Click here to return to main table.](#)



DIMENSIONS: mm (inches)

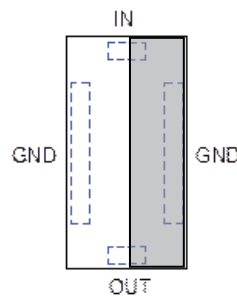
(Bottom View)



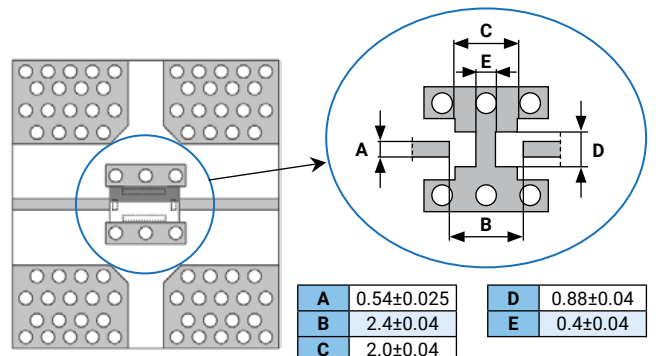
L	3.1±0.1	B1,B2	0.25±0.1
W	1.6±0.1	H1	0.06±0.06
T	0.6±0.3	H2	0.56±0.10
A1	1.9±0.1	S1	0.61±0.1
A2	0.5±0.1	S2	0.06±0.06

TERMINALS:

(Top View)



RECOMMENDED PAD LAYOUT: (mm)



*The recommended distance to the ground plane is 0.254mm (0.01")
 ** PCB : Taconic Orcer RF-35P

EVB P/N: 544-7090

Thin-Film RF/Microwave Filters

1206 High Performance Low Pass 12W

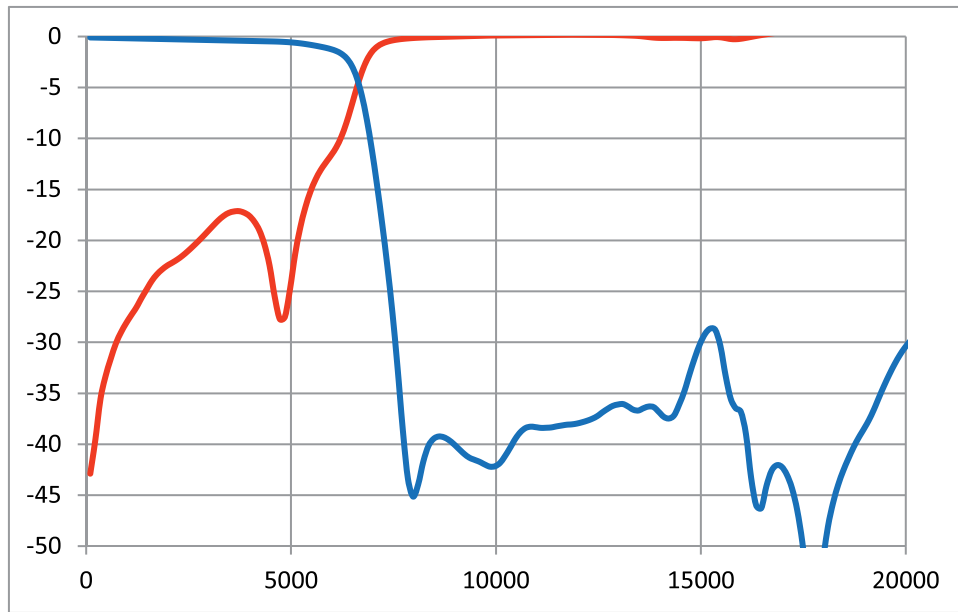
LP1206A5500ANTR – LGA Termination



TYPICAL ELECTRICAL PERFORMANCE

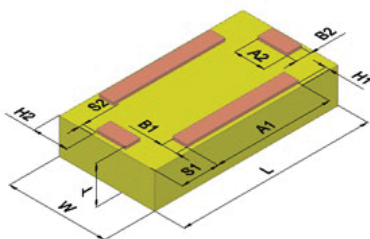
Parameter	Value	Unit	Notes
Fc	5500	MHz	
Insertion Loss	-1.0	dB	
R. Loss 0-5GHz	-12	dB	
Rejection	-30	dB	Min. 9.0 - 14.0 GHz
Rejection	-27	dB	Min. 14.0 - 20.0 GHz
Power Handling	12	W	RF Continuous
Impedance	50	Ohm	
Operating Temp.	-40 to +85	°C	
Size	1206		

[Click here to return to main table.](#)



DIMENSIONS: mm (inches)

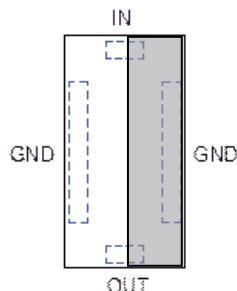
(Bottom View)



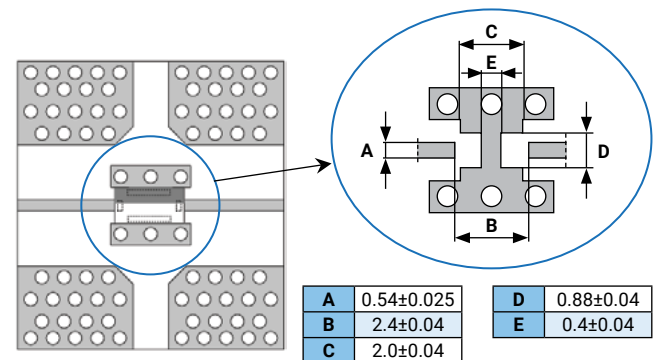
L	3.1±0.1	B1,B2	0.25±0.1
W	1.6±0.1	H1	0.06±0.06
T	0.6±0.3	H2	0.56±0.10
A1	1.9±0.1	S1	0.61±0.1
A2	0.5±0.1	S2	0.06±0.06

TERMINALS:

(Top View)



RECOMMENDED PAD LAYOUT: (mm)



*The recommended distance to the ground plane is 0.254mm (0.01")
 ** PCB : Taconic Orcer RF-35P

EVB P/N: 544-7090

Thin-Film RF/Microwave Filters

1206 High Performance Low Pass 12W

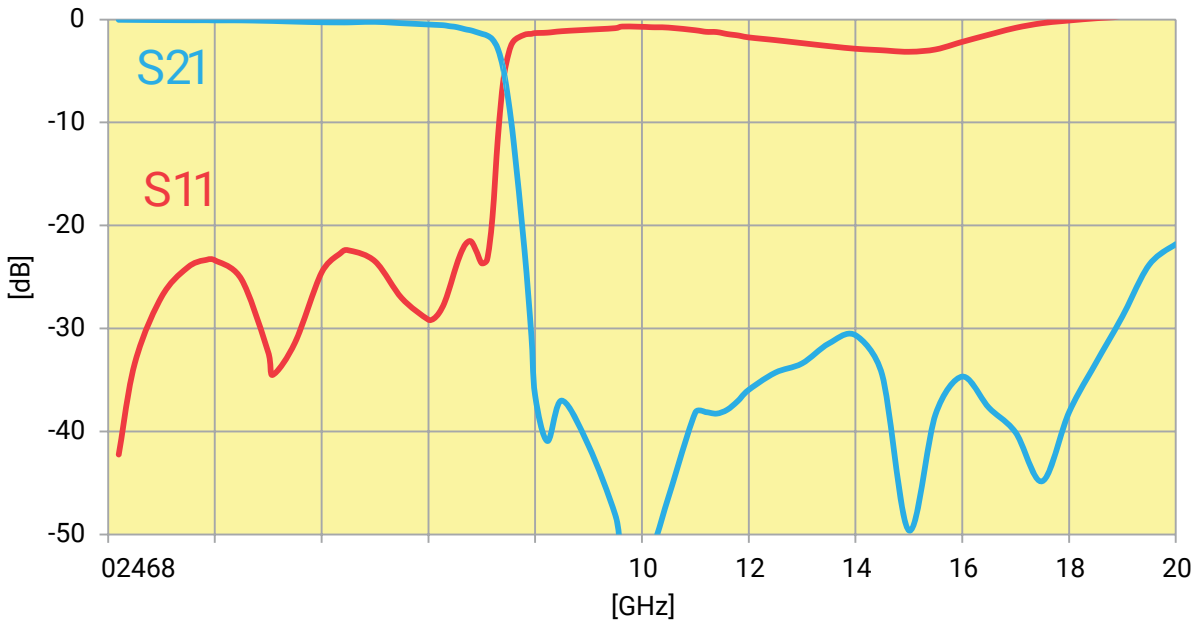
LP1206A6000ANTR – LGA Termination



TYPICAL ELECTRICAL PERFORMANCE

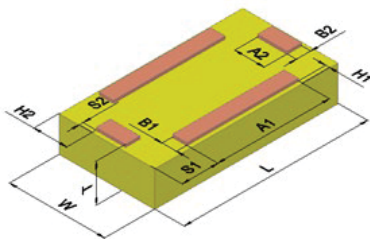
Parameter	Value	Unit	Notes
Fc	6000	MHz	
Rejection	-35	dB	Min. 8.4-18GHz
Insertion Loss	-0.6	dB	Max.(6GHz)
R.Loss 0-6GHz	-20	dB	
Power Handling	12	W	RF Continuous
Impedance	50	Ohm	
Operating Temp.	-40 to +100	degC	
Size	1206		

Click here to return to main table.



DIMENSIONS: mm (inches)

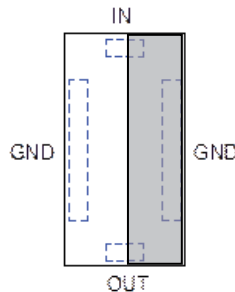
(Bottom View)



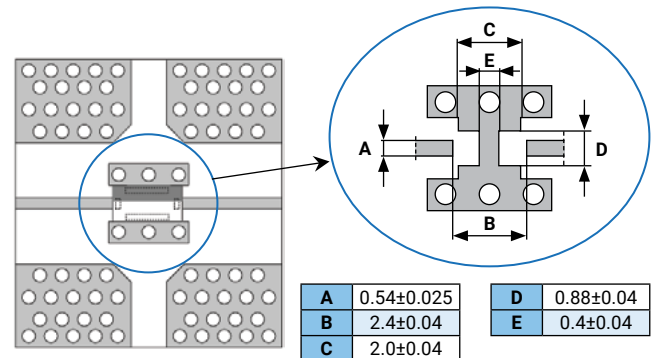
L	3.1±0.1	B1,B2	0.25±0.1
W	1.6±0.1	H1	0.06±0.06
T	0.6±0.3	H2	0.56±0.10
A1	1.9±0.1	S1	0.61±0.1
A2	0.5±0.1	S2	0.06±0.06

TERMINALS:

(Top View)



RECOMMENDED PAD LAYOUT: (mm)



*The recommended distance to the ground plane is 0.254mm (0.01")
 ** PCB : Taconic Orcer RF-35P

EVB P/N: 544-7090