

# SACC-VB-3CON-M20/A-GVL 230V - Valve connectors



1452194

<https://www.phoenixcontact.com/us/products/1452194>

Please be informed that the data shown in this PDF document is generated from our online catalog. Please find the complete data in the user documentation. Our general terms of use for downloads are valid.



Valve connectors, Universal, 3-position, Valve connector A, Screw connection, cable gland M20 x 1.5, external cable diameter 6 mm ... 8 mm

## Commercial data

Item number	1452194
Packing unit	1 pc
Minimum order quantity	1 pc
Sales key	BF36
Product key	BF2DAA
Catalog page	Page 29 (C-2-2019)
GTIN	4046356536363
Weight per piece (including packing)	34.1 g
Weight per piece (excluding packing)	31.2 g
Customs tariff number	85366990
Country of origin	HU

1452194

<https://www.phoenixcontact.com/us/products/1452194>

## Technical data

### Notes

Assembly note	<b>NOTE:</b> Observe the permissible bending radii when routing cables, since the degree of protection may be at risk if the bending forces are too high. Reduce mechanical loads upstream of the connector, e.g., by using cable ties.
---------------	-----------------------------------------------------------------------------------------------------------------------------------------------------------------------------------------------------------------------------------------

### Product properties

Product type	Valve connectors
Sensor type	Universal
Number of positions	3
No. of cable outlets	1
Shielded	no
Pg screw connection	M20 x 1.5

### Data management status

Article revision	03
------------------	----

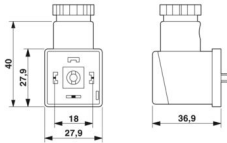
### Insulation characteristics

Overvoltage category	II
Degree of pollution	3

### Material specifications

Flammability rating according to UL 94	HB
Seal material	NBR
Material housing valve plug	PA
Contact material	CuZn
Contact surface material	CuSn

### Dimensions

Dimensional drawing	
Width	27.9 mm
Height	36.9 mm
Length	40 mm

### External dimensions

Outside diameter	6 mm ... 8 mm
------------------	---------------

### Electrical properties

Contact resistance	≤ 4 mΩ
--------------------	--------

# SACC-VB-3CON-M20/A-GVL 230V - Valve connectors



1452194

<https://www.phoenixcontact.com/us/products/1452194>

Insulation resistance	> 2 GΩ
Nominal voltage $U_N$	230 V AC
	230 V DC
Nominal current $I_N$	1.5 A
Protective circuit	Surge protection; Varistor and rectifier

## Valve connector characteristics

Fixing screws	M3 x 37,5
---------------	-----------

## Mechanical properties

### Mechanical data

Insertion/withdrawal cycles	50 (Valve connector)
-----------------------------	----------------------

## Signaling

Status display	LED (yellow)
Status display present	Yes

## Connection data

Connection method	Screw connection
Conductor cross section	0.25 mm <sup>2</sup> ... 1.5 mm <sup>2</sup>
Connection cross section AWG	24 ... 16
Tightening torque	1.8 Nm ±0.2 Nm (Pressure screw)
	0.4 Nm ±0.1 Nm (Central screw)
	0.2 Nm ±0.1 Nm (Contact screw)

## Connector

### Connection 1

Head design	Valve connector
Head thread type	A

## Environmental and real-life conditions

### Ambient conditions

Degree of protection	IP65
Ambient temperature (operation)	-25 °C ... 60 °C (valve plug)

## Standards and regulations

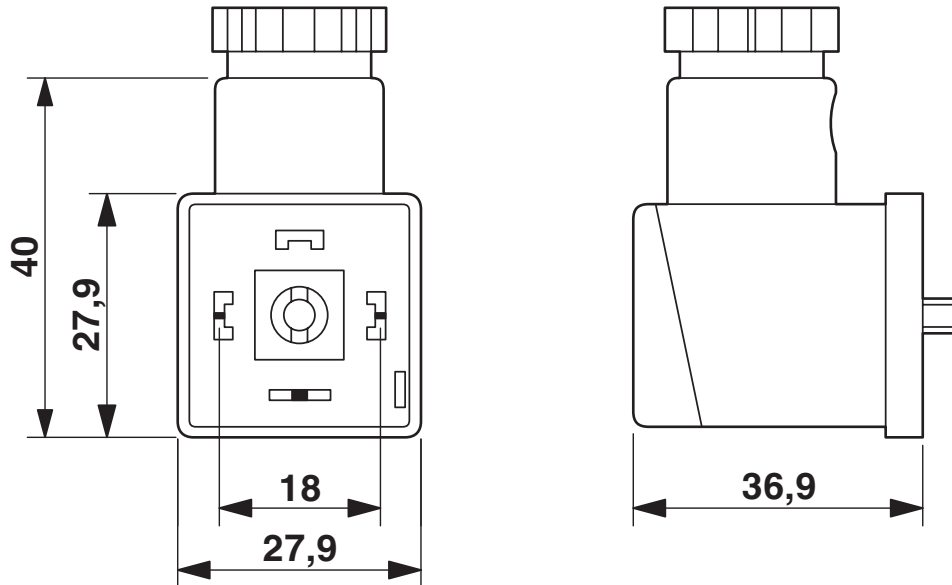
Standard designation	Valve connector
Standards/specifications	EN 175301-803

1452194

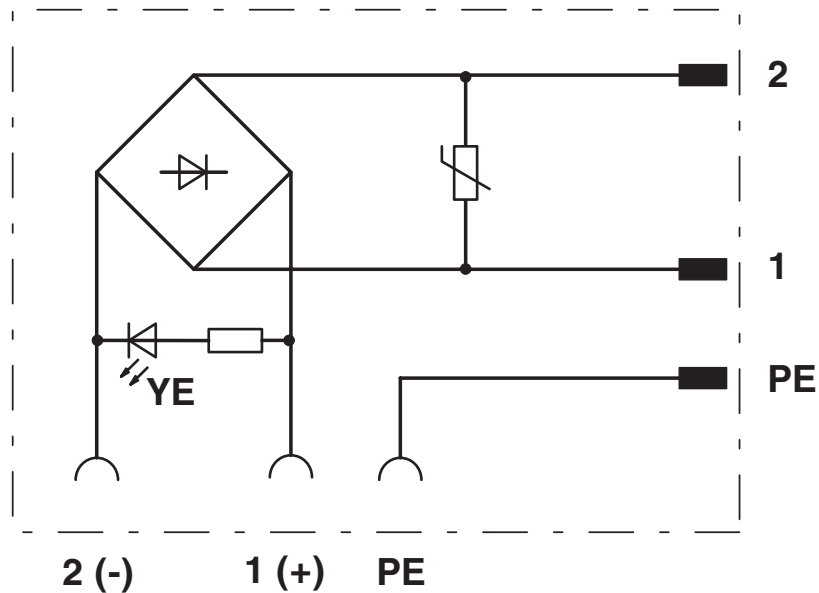
<https://www.phoenixcontact.com/us/products/1452194>

## Drawings

Dimensional drawing



Circuit diagram



# SACC-VB-3CON-M20/A-GVL 230V - Valve connectors



1452194

<https://www.phoenixcontact.com/us/products/1452194>

## Approvals

To download certificates, visit the product detail page: <https://www.phoenixcontact.com/us/products/1452194>



**EAC**

Approval ID: RU C-DE.BL08.B.00511

# SACC-VB-3CON-M20/A-GVL 230V - Valve connectors



1452194

<https://www.phoenixcontact.com/us/products/1452194>

## Classifications

### ECLASS

ECLASS-11.0	27440105
ECLASS-12.0	27440105
ECLASS-13.0	27440105

### ETIM

ETIM 9.0	EC003623
----------	----------

### UNSPSC

UNSPSC 21.0	31251500
-------------	----------

1452194

<https://www.phoenixcontact.com/us/products/1452194>

## Environmental product compliance

### EU RoHS

Fulfills EU RoHS substance requirements	Yes
Exemption	6(c)

### China RoHS

Environment friendly use period (EFUP)	EFUP-25
	An article-related China RoHS declaration table can be found in the download area for the respective article under "Manufacturer declaration". For all articles with EFUP-E, no China RoHS declaration table issued and required.

### EU REACH SVHC

REACH candidate substance (CAS No.)	Lead(CAS: 7439-92-1)
SCIP	c4b298d4-5c0f-4df1-94f3-868cd0faa06f

# SACC-VB-3CON-M20/A-GVL 230V - Valve connectors



1452194

<https://www.phoenixcontact.com/us/products/1452194>

## Accessories

SAC-3P-100,0-PUR/0,5 - Cable reel

1457393

<https://www.phoenixcontact.com/us/products/1457393>

By the meter, Cable reel, PUR halogen-free, black-gray RAL 7021, 3-wire, color single wire: black 1, black 2, green/yellow, cable length: 100 m



---

Phoenix Contact 2024 © - all rights reserved  
<https://www.phoenixcontact.com>

Phoenix Contact USA  
586 Fulling Mill Road  
Middletown, PA 17057, United States  
(+717) 944-1300  
[info@phoenixcon.com](mailto:info@phoenixcon.com)