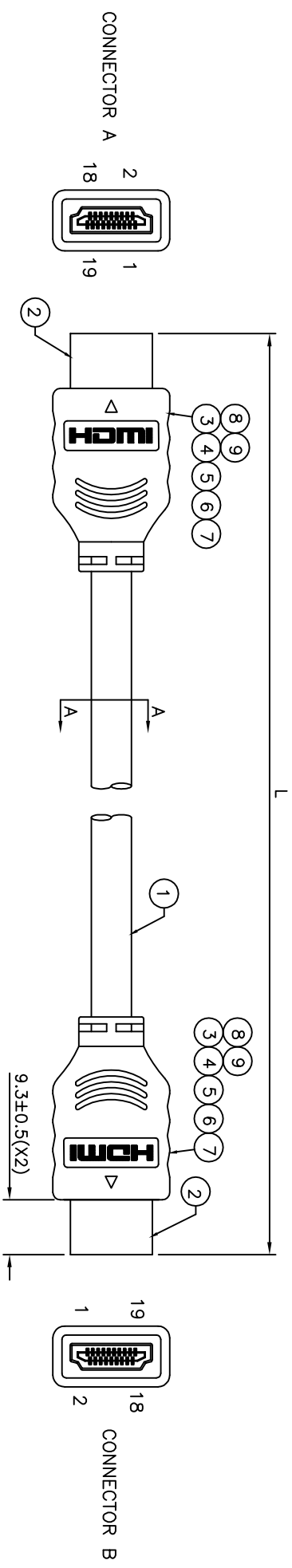
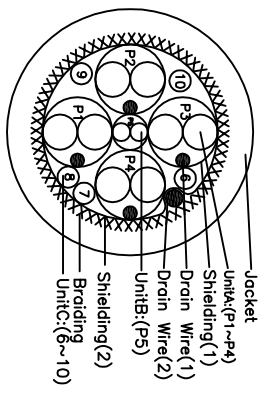


REV	DATE	DMN	APVD
1	25SEP2014	JL	JL

LOC	DIST	P	LTR	DESCRIPTION
-	-	J2	PER ECR-14-009692	



CABLE UNIT	WIRE COLOR	CONN/A PIN	CONN/B PIN
A (BROWN)	GREEN	1	1
	DRAIN WIRE	2	2
	WHITE	3	3
A (GREEN)	GREEN	4	4
	DRAIN WIRE	5	5
	WHITE	6	6
A (BLUE)	GREEN	7	7
	DRAIN WIRE	8	8
	WHITE	9	9
A (RED)	GREEN	10	10
	DRAIN WIRE	11	11
	WHITE	12	12
C	RED	13	13
C	VIOLET	14	14
C	WHITE	15	15
C	GRAY	16	16
B	YELLOW	17	17
B	ORANGE	18	18
C	PINK	19	19
	SHIELD BRAID	SHELL	SHELL

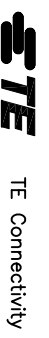


A-A VIEW

- UNIT A:
 P1: WHITE-GREEN
 P2: WHITE-GREEN
 P3: WHITE-GREEN
 P4: WHITE-GREEN
 UNIT B:
 P5: YELLOW-ORANGE
 UNIT C:
 6: RED
 7: VIOLET
 8: WHITE
 9: GRAY
 10: PINK

QTY	U/M	DESCRIPTION	ITEM NO.
0.003	LB	SOLDER BAR	9
0.003	LB	SOLDER WIRE	8
2	PC	SHELL, FOR HDMI	7
0.25	MIR	TAPE,VINYL, COLOR: BLACK,W:12.5MM, L:50MM	6
0.1	MIR	HEAT SHRINK TUBING, ID: 0.7MM, BLACK	5
0.018	KG	PVC, 40P, COLOR: BLACK	4
0.07	MIR	HEAT SHRINK TUBING, ID: 1.5MM, BLACK	3
2	PC	HDMI 19PIN PLUG, CONTACT: 30U" GOLD, INSULATION: BLACK, SHELL: NICKEL PLATED	2
AR	MIR	UL20276 (1P*30AWG+DRAIN+AL/MYLAR)*4+30AWG*1P +28AWG*5C+AL/MYLAR+DRAIN+BRAD, COLOR: BLACK	1

UNIT	WIRE COLOR	CONN/A PIN	CONN/B PIN
A (BROWN)	GREEN	1	1
	DRAIN WIRE	2	2
	WHITE	3	3
A (GREEN)	GREEN	4	4
	DRAIN WIRE	5	5
	WHITE	6	6
A (BLUE)	GREEN	7	7
	DRAIN WIRE	8	8
	WHITE	9	9
A (RED)	GREEN	10	10
	DRAIN WIRE	11	11
	WHITE	12	12
C	RED	13	13
C	VIOLET	14	14
C	WHITE	15	15
C	GRAY	16	16
B	YELLOW	17	17
B	ORANGE	18	18
C	PINK	19	19
	SHIELD BRAID	SHELL	SHELL



TE Connectivity

C/A,HDMI TO HDMI

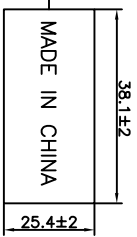
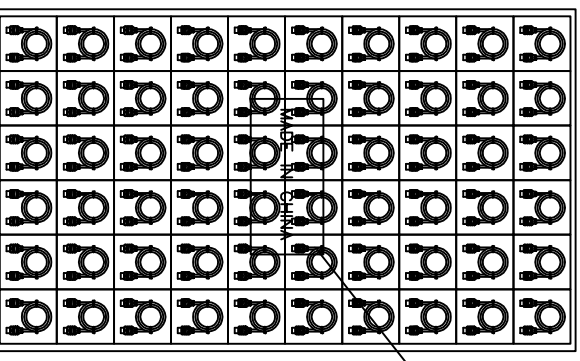
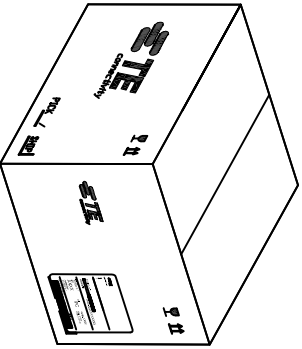
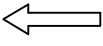
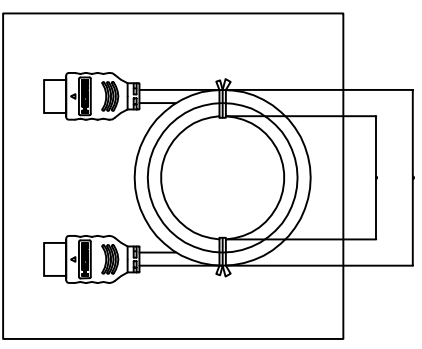
THIS DRAWING IS A CONTROLLED DOCUMENT.	
DWG: S.WU	18AUG2013
CHK: S.SCHLEN	18AUG2013
APD: W.KODAMA	Product spec
DIMENSIONS: mm	
TOLERANCES UNLESS OTHERWISE SPECIFIED:	
0 P/C	±
1 P/C	±
2 P/C	±
3 P/C	±
4 P/C	±
ANGLES	±
FINISH	
-	
MATERIAL	
-	
WEIGHT	
6.96KG	
CUSTOMER DRAWING	

QTY	U/M	DESCRIPTION	ITEM NO.
1	U/M	DESCRIPTION	1

SIZE	QAGE CODE	DRAWING NO	RESTRICTED TO
A3	00779	1770019	-

GENERAL TOLERANCE
 0mm~10mm : ±1
 10mm~50mm : ±2
 50mm~100mm : ±3

LOC	DIST	REV	DESCRIPTION	DATE	DMN	APVD
-	-	P	LIR	-	-	-
-	-	-	SEE SHEET 1	-	-	-



NOTES:
 PACKING MATERIAL MET TE SPEC TEC-138-702.
 * CADMIUM AND CADMIUM COMPOUNDS CONTENT:
 5 PPM UNDER (PLASTIC,RUBBER,INK,PIGMENT,PAINT)
 * LEAD,CADMIUM,CHROM VI AND MERCURY IN PACKAGING
 MATERIALS CONTENT: 100 PPM (COMBINED) UNDER.

1. MATERIAL:
 - 1.1 BAG: POLYSTYRENES
 - 1.2 BOX: CORRUGATED FIBERBOARD
 - 1.3 CLAPBOARD: CORRUGATED FIBERBOARD
2. DIMENSION:
 - 2.1 BAG: L=318, W=229
 - 2.2 BOX: L=335, W=300, H=300
 - 2.3 BOX: L=350, W=299, H=146
 - 2.4 BOX: L=540, W=345, H=240

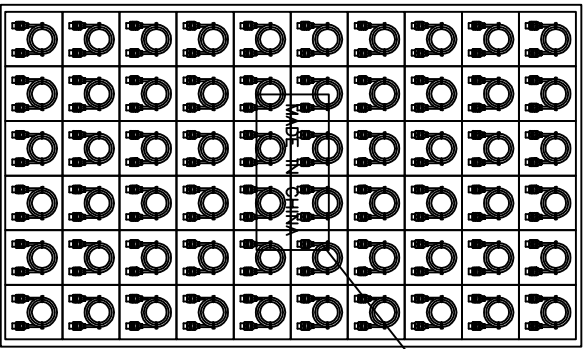
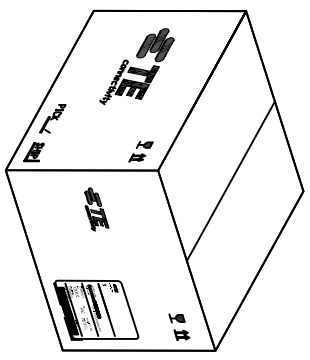
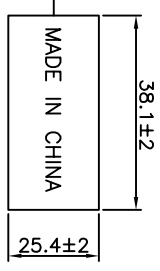
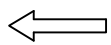
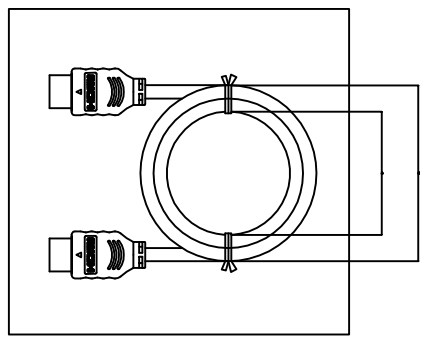
△	13.2KG	233.3g	60	1	60	1770019-8
△	5.77KG	85.4g	50	1	50	1770019-7
△	4.72KG	64.3g	50	1	50	1770019-6
△	8.94KG	148.8g	50	1	50	1770019-2
△	7.89KG	106.5g	60	1	60	1770019-1
	GROSS WEIGHT	NET WEIGHT	PCS/BAG	BAG/BOX	PCS/BOX	PART NUMBER

THIS DRAWING IS A CONTROLLED DOCUMENT.
 DIM: S.WU 18AUG2013
 CHK: S.SHIEN 18AUG2013
 APD: W.KODAMA
 PRODUCT SPEC
 NAME: **STE** TE Connectivity
 C/A,HDMI TO HDMI

DIMENSIONS: mm		TOLERANCES UNLESS OTHERWISE SPECIFIED:	
0 P/C	±	1 P/C	±
1 P/C	±	2 P/C	±
2 P/C	±	3 P/C	±
3 P/C	±	4 P/C	±
4 P/C	±	ANGLES	±

MATERIAL	FINISH	WEIGHT	CUSTOMER DRAWING	SIZE	QAGE CODE	DRAWING NO	RESTRICTED TO
-	-	6.96KG	A3	A3	00779	1770019	-

LOC	DIST	REV	DESCRIPTION	DATE	DMN	APVD
-	-	P	LTR			
-	-	-	SEE SHEET 1			



- NOTES:
 PACKING MATERIAL MET TE SPEC TEC-138-702.
 * CADMIUM AND CADMIUM COMPOUNDS CONTENT:
 5 PPM UNDER (PLASTIC,RUBBER,INK,PIGMENT,PAINT)
 * LEAD,CADMIUM,CHROM VI AND MERCURY IN PACKAGING MATERIALS CONTENT: 100 PPM (COMBINED) UNDER.
- MATERIAL:
 - BAG: POLYSTYRENES
 - BOX: CORRUGATED FIBERBOARD
 - CLAPBOARD: CORRUGATED FIBERBOARD
 - DIMENSION:
 - BAG: L=318, W=229
 - BOX: L=335, W=300, H=300
 - BOX: L=350, W=299, H=146
 - BOX: L=540, W=345, H=240

△	4.2KG	53.7g	50	1	50	1770019-5
△	3.79KG	43.3g	50	1	50	1770019-4
△	3.2KG	32.6g	50	1	50	1770019-3
	GROSS WEIGHT	NET WEIGHT	PCS/BAG	BAG/BOX	PCS/BOX	PART NUMBER

THIS DRAWING IS A CONTROLLED DOCUMENT.

DIMENSIONS: mm	TOLERANCES UNLESS OTHERWISE SPECIFIED:
0 P/C	+/-
1 P/C	+/-
2 P/C	+/-
3 P/C	+/-
4 P/C	+/-
ANGLES	+/-
FINISH	-

DMN	S.WU	18AUG2013
CHK	S.SHIEN	18AUG2013
APVD	W.KODAMA	18AUG2013
	Product spec	
	APPLICATION SPEC	
	WEIGHT	6.96KG

C/A,HDMI TO HDMI

SIZE	QAGE CODE	DRAWING NO	RESTRICTED TO
A3	00779	1770019	-

CUSTOMER DRAWING

SCALE 1:1 SHEET 3 OF 3 REV J2

Mouser Electronics

Authorized Distributor

Click to View Pricing, Inventory, Delivery & Lifecycle Information:

[TE Connectivity:](#)

[1770019-6](#)