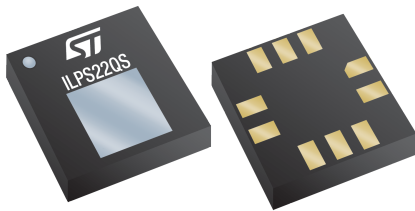


## Dual full-scale, 1260 hPa and 4060 hPa, absolute digital output barometer with embedded Qvar electrostatic sensor



### Features

- Selectable dual full-scale absolute pressure range
  - Mode 1: 260 ~ 1260 hPa
  - Mode 2: 260 ~ 4060 hPa
- Current consumption down to 1.8  $\mu$ A
- Absolute pressure accuracy: 0.5 hPa
- Low pressure sensor noise: 0.34 Pa
- High-performance TCO: 0.45 Pa/ $^{\circ}$ C
- Embedded temperature compensation
- Extended temperature range from -40 to +105  $^{\circ}$ C
- 24-bit pressure data output
- ODR from 1 Hz to 200 Hz
- SPI, I<sup>2</sup>C or MIPI I3C<sup>SM</sup> interfaces
- Supports 1.08 V digital interface
- Embedded FIFO
- Embedded analog hub for processing analog input data
- Embedded Qvar for detecting electric charge variation
- Interrupt functions: data-ready, FIFO flags, pressure thresholds
- Supply voltage: 1.7 to 3.6 V
- High shock survivability: 22,000 g
- Small and thin package
- ECOPACK lead-free compliant

Product status link	
<a href="#">ILPS22QS</a>	
Product summary	
<b>Order code</b>	ILPS22QSTR
<b>Temp. range [<math>^{\circ}</math>C]</b>	-40 to +105
<b>Package</b>	HLGA-10L (2.0 x 2.0 x 0.73 mm)
<b>Packing</b>	Tape and reel
Product resources	
<a href="#">TN0018 (Design and soldering)</a>	
Product labels	
	

### Applications

- Industrial applications
- [Gas and water metering](#)
- Weather station equipment
- Altimeters and barometers for outdoor devices
- Smart filters
- Ventilators and CPAP equipment
- Man-down detection

### Description

The ILPS22QS is an ultra-compact piezoresistive absolute pressure sensor which functions as a digital output barometer, supporting dual full-scale up to user-selectable 4060 hPa. The device delivers ultra-low pressure noise with very low power consumption and operates over an extended temperature range from -40  $^{\circ}$ C to +105  $^{\circ}$ C.

The ILPS22QS comprises a sensing element and an IC interface which communicates over I<sup>2</sup>C, MIPI I3C<sup>SM</sup> or SPI interfaces from the sensing element to the application and supports 1.2 V digital interface as well. The sensing element, which detects absolute pressure, consists of a suspended membrane manufactured using a dedicated process developed by ST.

The ILPS22QS embeds an analog hub sensing functionality which is able to connect an analog input and convert it to a digital signal for embedded processing. In addition, an embedded Qvar (electric charge variation detection) channel can be enabled for sensing in applications such as water leakage detection, tap, double tap, long press, and L/R - R/L swipe.

The ILPS22QS is available in a full-mold, holed LGA package (HLGA). The package is holed to allow external pressure to reach the sensing element.

# 1 Block diagrams

Figure 1. Device architecture block diagram

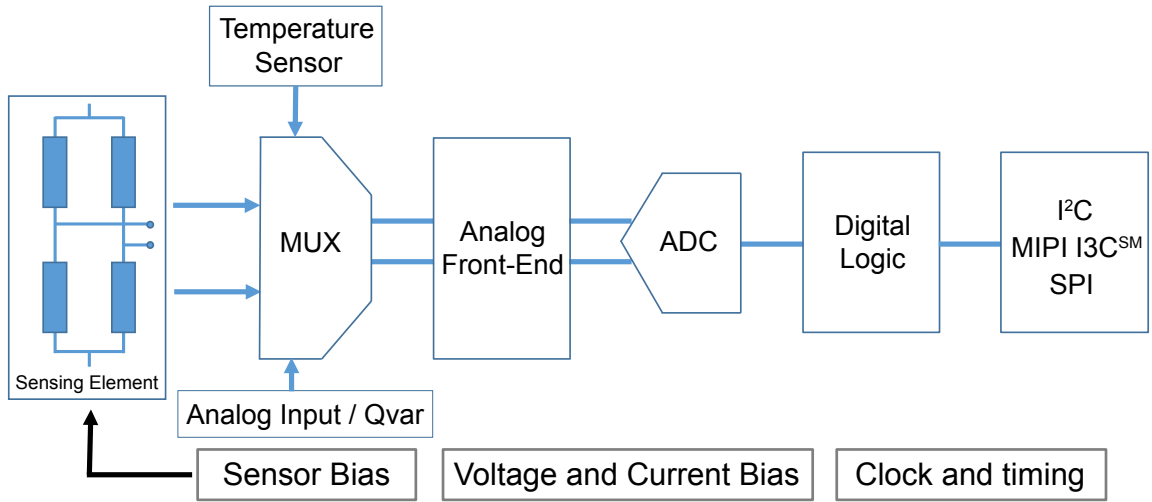
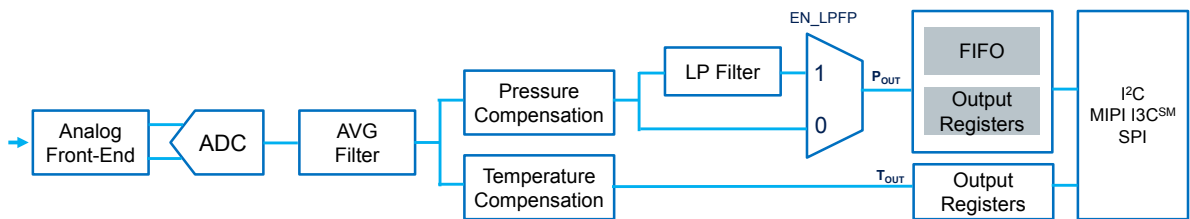
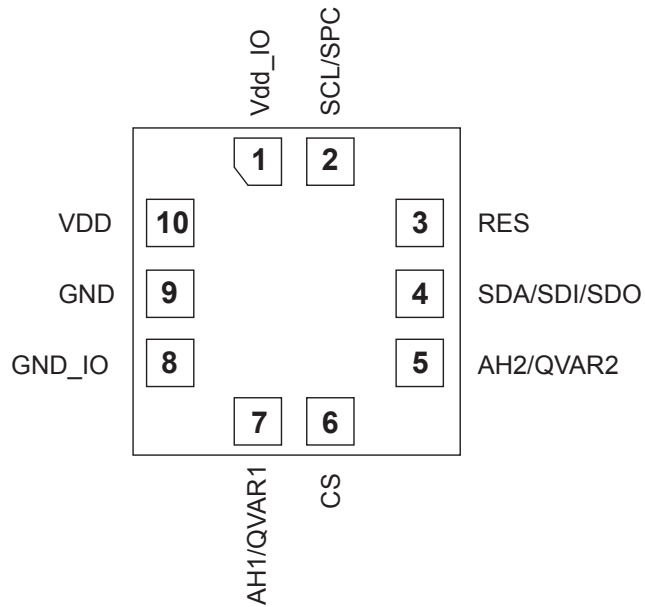


Figure 2. Digital logic



## 2 Pin description

**Figure 3. Pin connections (bottom view)**



**Table 1. Pin description**

Pin number	Name	Function
1	Vdd_IO	Power supply for I/O pins
2	SCL SPC	I <sup>2</sup> C / MIPI I3C <sup>SM</sup> serial clock (SCL) SPI serial port clock (SPC)
3	RES	Connect to GND
4	SDA SDI SDO	I <sup>2</sup> C / MIPI I3C <sup>SM</sup> serial data (SDA) 3-wire SPI serial data input (SDI) 3-wire serial data output (SDO)
5	AH2/QVAR2	Connect to GND if analog input / Qvar sensing is not needed.
6	CS	Enables SPI I <sup>2</sup> C and MIPI I3C <sup>SM</sup> / SPI mode selection (1: SPI idle mode / I <sup>2</sup> C and MIPI I3C <sup>SM</sup> communication enabled; 0: SPI communication mode / I <sup>2</sup> C and MIPI I3C <sup>SM</sup> disabled)
7	AH1/QVAR1	Connect to GND if analog input / Qvar sensing is not needed.
8	GND_IO	0 V supply
9	GND	0 V supply
10	VDD	Power supply

### 3 Mechanical and electrical specifications

#### 3.1 Mechanical characteristics

VDD = 1.8 V, T = 25 °C, unless otherwise noted.

**Table 2. Pressure and temperature sensor characteristics**

Symbol	Parameter	Test condition	Min.	Typ. <sup>(1)</sup>	Max.	Unit
<b>Pressure sensor characteristics</b>						
P <sub>T<sub>op</sub></sub>	Operating temperature range		-40		+105	°C
P <sub>op</sub>	Operating pressure range					
	Mode 1		260		1260	hPa
	Mode 2		260		4060	
P <sub>bits</sub>	Pressure output data			24		bits
P <sub>sens</sub>	Pressure sensitivity					
	Mode 1			4096		LSB/hPa
	Mode 2			2048		
P <sub>AccRel</sub>	Relative pressure accuracy <sup>(2)</sup>	T = 25 °C				
	Mode 1	P = 800 ~ 1100 hPa		±0.015		hPa
	Mode 2	P = 2060 ~ 4060 hPa		±1		
P <sub>AccT</sub>	Absolute pressure accuracy	P = 660 ~ 1260				
	Mode 1	T = -20 ~ 65 °C		±0.5		
		T = -40 ~ 105 °C		±1		hPa
	Mode 2	P = 1260 ~ 4060 hPa				
		T = 0 ~ 65 °C		±0.28%		
	Refer to Table 3	T = -40 ~ 105 °C		±0.37%		
P <sub>noise</sub>	RMS pressure noise <sup>(3)</sup>	T = 25 °C				
	Mode 1			0.34		Pa
	Mode 2			0.57		
	Refer to Table 24					
ODR <sub>Pres</sub>	Pressure output data rate <sup>(4)</sup>			1		
				4		
				10		
				25		
				50		Hz
				75		
				100		
		200				
TCO	Temperature coefficient offset					
	Mode 1	P = 660 ~ 1160 hPa, T = -20 ~ +65 °C		±0.45		Pa/°C
	Mode 2	P = 2060 ~ 3060 hPa, T = 0 ~ +45 °C		±3.5		
P <sub>drift</sub>	Soldering drift			±0.5		hPa

Symbol	Parameter	Test condition	Min.	Typ. <sup>(1)</sup>	Max.	Unit
<b>Temperature sensor characteristics</b>						
T <sub>op</sub>	Operating temperature range		-40		+105	°C
T <sub>sens</sub>	Temperature sensitivity			100		LSB/°C
T <sub>acc</sub>	Temperature absolute accuracy	T = 0 to 80 °C		±1.5		°C
ODR <sub>T</sub>	Output temperature data rate <sup>(4)</sup>			1 4 10 25 50 75 100 200		Hz

1. Typical specifications are not guaranteed.
2. By design, the typ. value is defined based on characterization data with 10 hPa pressure interval in mode 1 and 100 hPa pressure interval in mode 2.
3. Pressure noise RMS evaluated in a controlled environment, based on the average standard deviation of 50 measurements with AVG = 512, BW = ODR/9.
4. Output data rate is configured acting on ODR[3:0] in CTRL\_REG1 (10h).

**Table 3. Absolute pressure accuracy at different full-scale modes**

Full-scale mode	Condition	Typ. absolute pressure accuracy [hPa]
Mode 1 (full scale up to 1260 hPa)	P = 660 ~ 1260 & T = -20 ~ 65 °C	±0.5 hPa
	P = 660 ~ 1260 & T = -40 ~ 105 °C	±1 hPa
Mode 2 (full scale up to 4060 hPa)	P = 1260 ~ 2060 & T = 0 ~ 65 °C	±0.15% of input pressure
	P = 1260 ~ 2060 & T = -40 ~ 105 °C	±0.23% of input pressure
	P = 2060 ~ 3060 & T = 0 ~ 65 °C	±0.21% of input pressure
	P = 2060 ~ 3060 & T = -40 ~ 105 °C	±0.25% of input pressure
	P = 3060 ~ 4060 & T = 0 ~ 65 °C	±0.28% of input pressure
	P = 3060 ~ 4060 & T = -40 ~ 105 °C	±0.37% of input pressure

### 3.2 Electrical characteristics

VDD = 1.8 V, T = 25 °C, unless otherwise noted.

**Table 4. Electrical characteristics - pressure and temperature**

Symbol	Parameter	Test condition	Min.	Typ. <sup>(1)</sup>	Max.	Unit	
VDD	Supply voltage		1.7		3.6	V	
Vdd_IO	IO supply voltage		1.08		3.6	V	
Idd	Supply current for pressure acquisition	@ 1 Hz one-shot AVG = 4 by disabling AH and Qvar <sup>(2)</sup> AVG = 4 by enabling AH and Qvar		1.8 4.3		μA	
		@ 1 Hz one-shot AVG = 128 by disabling AH and Qvar <sup>(2)</sup> AVG = 128 by enabling AH and Qvar		9.2 11.7			
		Supply current for Qvar (enabling AH and Qvar)	AVG = 32 and ODR = 25 Hz		46.5		
IddPdn	Power-down current by disabling AH and Qvar <sup>(2)</sup>			1		μA	
	Power-down current by enabling AH and Qvar			3.6			

1. Typical specifications are not guaranteed.
2. To disable AH and Qvar in order to save power consumption, 00h must be written in register 5Fh when the device is powered on. AH2/QVAR2 (pin 5) and AH1/QVAR1 (pin 7) must be connected to GND.

**Table 5. Electrical parameters of Qvar (@Vdd = 1.8 V, T = 25 °C)**

Parameter	Typ.	Unit
Offset (shorted inputs)	0.02	mV
Noise (shorted inputs)	0.2	μV
Qvar gain	438k	LSB/mV
CMRR	64	dB
Input impedance	18 <sup>(1)</sup>	MΩ
Input range	±18	mV

1. Depending on ODR and AVG, refer to Table 6

**Table 6. Input impedance of Qvar**

Input impedance [MΩ]	R <sub>IN</sub> (ODR, AVG) [MΩ]							
	ODR [Hz]							
AVG	1	4	10	25	50	75	100	200
4	21.6	21.5	21.4	21.1	20.5	20.0	19.6	17.9
8	21.6	21.4	21.2	20.5	19.6	18.7	17.9	15.3
16	21.5	21.2	20.7	19.6	17.9	16.5	15.3	11.8
32	21.4	20.9	19.9	17.9	15.3	13.3	11.8	8.1
64	21.2	20.3	18.5	15.3	11.8	9.6	8.1	5.0
128	20.9	19.1	16.2	11.8	8.1	6.2	5.0	2.8
512	19.1	14.1	9.3	5.0	2.8	2.0	1.5	0.8

**Table 7. DC characteristics**

Symbol	Parameter	Condition	Min.	Typ.	Max.	Unit
<b>DC input characteristics</b>						
Vil	Low-level input voltage (Schmitt buffer)	-	-	-	0.3 * Vdd_IO	V
Vih	High-level input voltage (Schmitt buffer)	-	0.7 * Vdd_IO	-	-	V
<b>DC output characteristics</b>						
Vol	Low-level output voltage		-	-	0.2	V
Voh	High-level output voltage		Vdd_IO - 0.2	-	-	V



### 3.3 Communication interface characteristics

#### 3.3.1 SPI - serial peripheral interface

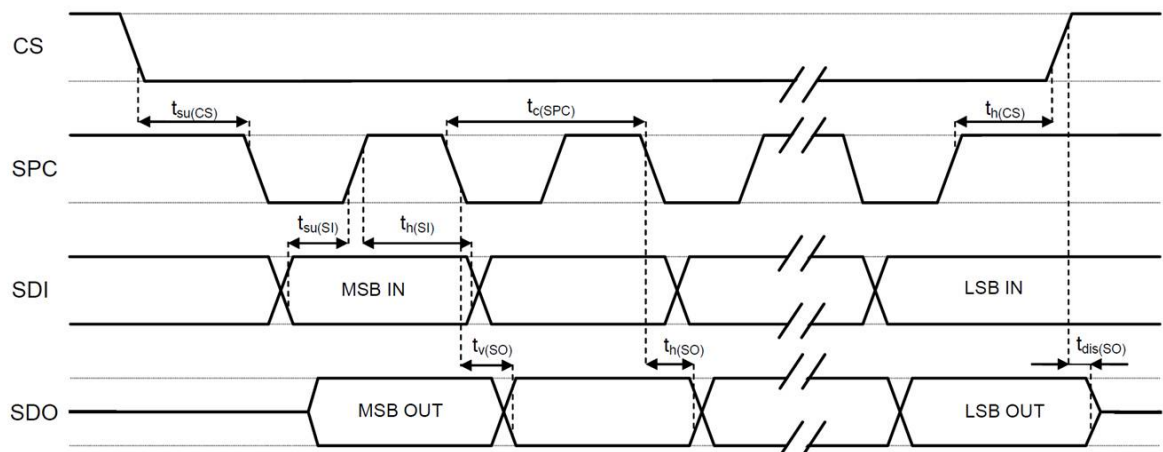
Subject to general operating conditions for V<sub>DD</sub> and T<sub>OP</sub>.

Table 8. SPI slave timing values

Symbol	Parameter	Value <sup>(1)</sup>		Unit
		Min	Max	
t <sub>c</sub> (SPC)	SPI clock cycle	100		ns
f <sub>c</sub> (SPC)	SPI clock frequency		10 <sup>(2)</sup>	MHz
t <sub>su</sub> (CS)	CS setup time	6		ns
t <sub>h</sub> (CS)	CS hold time	8		
t <sub>su</sub> (SI)	SDI input setup time	5		
t <sub>h</sub> (SI)	SDI input hold time	15		
t <sub>v</sub> (SO)	SDO valid output time		50	
t <sub>h</sub> (SO)	SDO output hold time	9		
t <sub>dis</sub> (SO)	SDO output disable time		50	

1. Values are evaluated at 10 MHz clock frequency for SPI with 3 wires, based on characterization results, not tested in production.
2. Recommended to set max SPI clock 8 MHz to ≤50 Hz ODR.

Figure 4. SPI slave timing diagram



Note: Measurement points are done at 0.3·V<sub>DD\_IO</sub> and 0.7·V<sub>DD\_IO</sub> for both ports.

### 3.3.2 I<sup>2</sup>C - inter-IC control interface

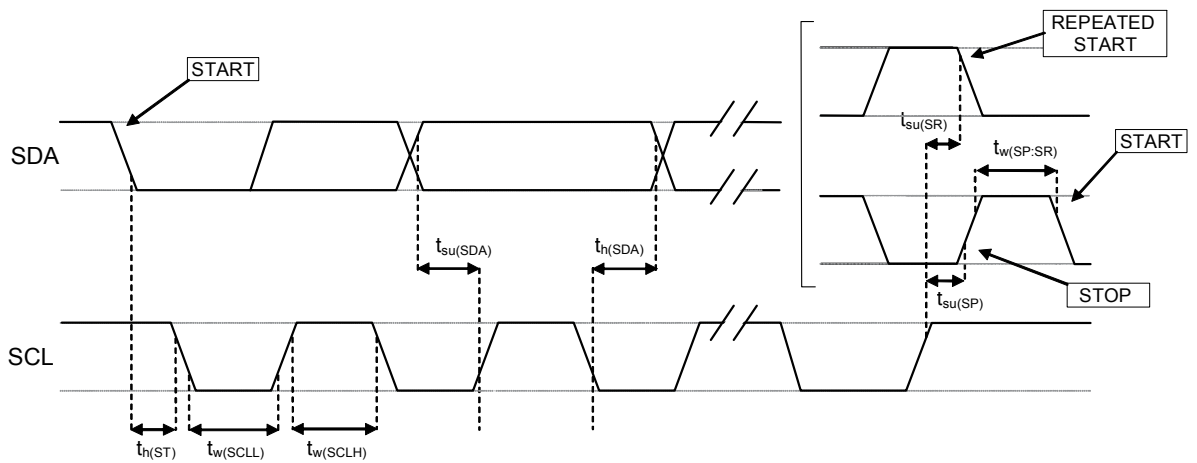
Subject to general operating conditions for V<sub>DD</sub> and T<sub>OP</sub>.

Table 9. I<sup>2</sup>C slave timing values

Symbol	Parameter	I <sup>2</sup> C fast mode <sup>(1)(2)</sup>		I <sup>2</sup> C fast mode+ <sup>(1)(2)</sup>		Unit
		Min	Max	Min	Max	
f <sub>(SCL)</sub>	SCL clock frequency	0	400	0	1000	kHz
t <sub>w(SCLL)</sub>	SCL clock low time	1.3		0.5		μs
t <sub>w(SCLH)</sub>	SCL clock high time	0.6		0.26		
t <sub>su(SDA)</sub>	SDA setup time	100		50		ns
t <sub>h(SDA)</sub>	SDA data hold time	0	0.9	0		μs
t <sub>h(ST)</sub>	START/REPEATED START condition hold time	0.6		0.26		
t <sub>su(SR)</sub>	REPEATED START condition setup time	0.6		0.26		
t <sub>su(SP)</sub>	STOP condition setup time	0.6		0.26		
t <sub>w(SP:SR)</sub>	Bus free time between STOP and START condition	1.3		0.5		
	Data valid time		0.9		0.45	
	Data valid acknowledge time		0.9		0.45	
C <sub>B</sub>	Capacitive load for each bus line		400		550	

1. Data based on standard I<sup>2</sup>C protocol requirement, not tested in production.
2. Data for I<sup>2</sup>C fast mode and I<sup>2</sup>C fast mode+ have been validated by characterization, not tested in production.

Figure 5. I<sup>2</sup>C slave timing diagram



Note: Measurement points are done at 0.3·V<sub>DD\_IO</sub> and 0.7·V<sub>DD\_IO</sub> for both ports.

### 3.4 Absolute maximum ratings

Stress above those listed as “Absolute maximum ratings” may cause permanent damage to the device. This is a stress rating only and functional operation of the device under these conditions is not implied. Exposure to maximum rating conditions for extended periods may affect device reliability.

**Table 10. Absolute maximum ratings**

Symbol	Ratings	Maximum value	Unit
Vdd	Supply voltage	-0.3 to 4.8	V
Vdd_IO	I/O pins supply voltage	-0.3 to 4.8	V
Vin	Input voltage on any control pin	-0.3 to Vdd_IO +0.3	V
P	Overpressure	2	MPa
T <sub>STG</sub>	Storage temperature range	-40 to +125	°C
ESD	Electrostatic discharge protection	2 (HBM)	kV

*Note:* Supply voltage on any pin should never exceed 4.8 V.



This device is sensitive to mechanical shock, improper handling can cause permanent damage to the part.



This device is sensitive to electrostatic discharge (ESD), improper handling can cause permanent damage to the part.

## 4 Functionality

---

The ILPS22QS is a high-resolution, digital output pressure sensor packaged in an HLGA full-mold package. The complete device includes a sensing element based on a piezoresistive Wheatstone bridge approach, and an IC interface which communicates a digital signal from the sensing element to the application.

### 4.1 Sensing element

An ST proprietary process is used to obtain a silicon membrane for MEMS pressure sensors. This silicon membrane is surrounded by a silicon spring structure and it contributes to isolate the membrane from mechanical and thermal stress in applications. When pressure is applied, the membrane deflection induces an imbalance in the Wheatstone bridge piezoresistances whose output signal is converted by the IC interface.

### 4.2 IC interface

The complete measurement chain is composed of a low-noise amplifier which converts the resistance unbalance of the MEMS sensors (pressure and temperature) into an analog voltage using an analog-to-digital converter.

The pressure and temperature data may be accessed through an I<sup>2</sup>C/MIPI I3C<sup>SM</sup>/SPI interface thus making the device particularly suitable for direct interfacing with a microcontroller.

The ILPS22QS features a data-ready signal which indicates when a new set of measured pressure and temperature data are available, thus simplifying data synchronization in the digital system that uses the device.

### 4.3 Factory calibration

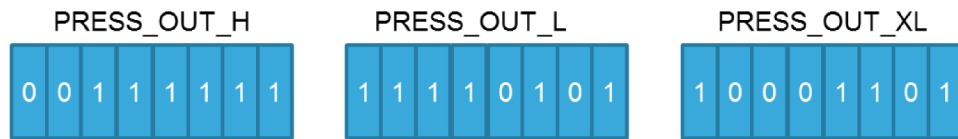
The trimming values are stored inside the device in a non-volatile structure. When the device is turned on, the trimming parameters are downloaded into the registers to be employed during the normal operation which allows the device to be used without requiring any further calibration.

#### 4.4 Interpreting pressure readings

The pressure data are stored in 3 registers: `PRESS_OUT_H` (2Ah), `PRESS_OUT_L` (29h), and `PRESS_OUT_XL` (28h). The value is expressed as a 24-bit signed number (in 2's complement).

To obtain the pressure in hPa, take the complete 24-bit word and then divide by the sensitivity 4096 LSB/hPa when the `FS_MODE` bit is 0 (in mode 1, full scale is up to 1260 hPa) or divide by the sensitivity 2096 LSB/hPa when the `FS_MODE` bit is 1 (in mode 2, full scale is up to 4060 hPa). This same interpretation is applied to pressure readings when FIFO is enabled and the pressure data are stored in 3 registers: `FIFO_DATA_OUT_PRESS_XL` (78h), `FIFO_DATA_OUT_PRESS_L` (79h), and `FIFO_DATA_OUT_PRESS_H` (7Ah).

**Figure 6. Pressure readings**



(1)

$$Pressure\ Value = PRESS\_OUT\_H(2Ah) \& PRESS\_OUT\_L(29h) \& PRESS\_OUT\_XL(28h) = 3FF58Dh = 4191629\ LSB\ (signed\ decimal)$$

(2)

When `FS_MODE` bit = 0 (`CTRL_REG2` (11h)), for full scale up to 1260 hPa:

$$Pressure\ (hPA) = \frac{Pressure\ value\ (LSB)}{Sensitivity} = \frac{4191629\ LSB}{4096\ LSB/hPA} = 1023.3\ hPA$$

When `FS_MODE` bit = 1 (`CTRL_REG2` (11h)), for full scale up to 4060 hPa:

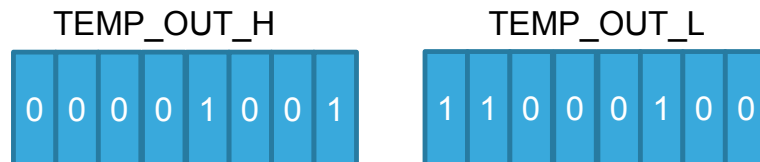
$$Pressure\ (hPA) = \frac{Pressure\ value\ (LSB)}{Sensitivity} = \frac{4191629\ LSB}{2048\ LSB/hPA} = 2046.7\ hPA$$

## 4.5 Interpreting temperature readings

The temperature data are stored in 2 registers: TEMP\_OUT\_H (2Ch) and TEMP\_OUT\_L (2Bh).

The value is expressed as 2's complement. To obtain the temperature in °C, take the two's complement of the complete 16-bit word and then divide by the sensitivity 100 LSB/°C.

**Figure 7. Temperature readings**



$$\begin{aligned} \text{Temperature value (LSB)} &= \text{TEMP\_OUT\_H (2Ch) \& TEMP\_OUT\_L (2Bh)} \\ &= 09C4 = 2500 \text{ LSB (decimal signed)} \end{aligned}$$

$$\text{Temperature (}^\circ\text{C)} = \frac{\text{Temperature Value (LSB)}}{\text{Sensitivity}} = \frac{2500 \text{ LSB}}{100 \text{ LSB}/^\circ\text{C}} = 25.00^\circ\text{C}$$

## 5 FIFO

The ILPS22QS embeds 128 slots of 24-bit data FIFO to store the pressure output values. This allows consistent power saving for the system, since the host processor does not need to continuously poll data from the sensor, but it can wake up only when needed and burst the significant data out from the FIFO. This buffer can work according to six different modes:

- Bypass mode
- FIFO mode
- Continuous (dynamic-stream) mode
- Continuous (dynamic-stream)-to-FIFO mode
- Bypass-to-continuous (dynamic-stream)
- Bypass-to-FIFO mode

The FIFO buffer is enabled when a configuration different from all bits '0' are written in `FIFO_CTRL (14h)` and each mode is selected by the `TRIG_MODES` bit and `F_MODE[1:0]` bits in `FIFO_CTRL (14h)`. Programmable FIFO threshold status, FIFO overrun events and the number of unread samples stored are available in the `FIFO_STATUS1 (25h)` and `FIFO_STATUS2 (26h)` registers.

`FIFO_STATUS2 (26h)(FIFO_WTM_IA)` goes to '1' when the number of unread samples (`FIFO_STATUS1 (25h)(FSS[7:0])`) is greater than or equal to `WTM[6:0]` in `FIFO_WTM (15h)`. If `FIFO_WTM (15h)(WTM[6:0])` is equal to 0, `FIFO_STATUS2 (26h)(FIFO_WTM_IA)` stays at '0'.

`FIFO_STATUS2 (26h)(FIFO_OVR_IA)` is equal to '1' if a FIFO slot is overwritten.

`FIFO_STATUS1 (25h)(FSS[7:0])` contains stored data levels of unread samples; when `FSS[7:0]` is equal to '00000000', FIFO is empty; when `FSS[7:0]` is equal to '10000000', FIFO is full and the unread samples are 128.

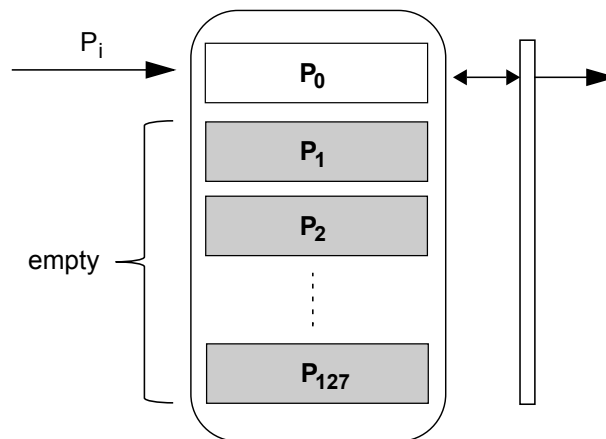
## 5.1 Bypass mode

In bypass mode (FIFO\_CTRL (14h)(TRIG\_MODES and F\_MODE[1:0] = '000' or '100'), the FIFO is not operational and it remains empty.

Switching to bypass mode is also used to reset the FIFO. Passing through bypass mode is mandatory when switching between different FIFO buffer operating modes.

As described in the next figure, for each channel only the first address is used. When new data is available, the older data is overwritten.

Figure 8. Bypass mode



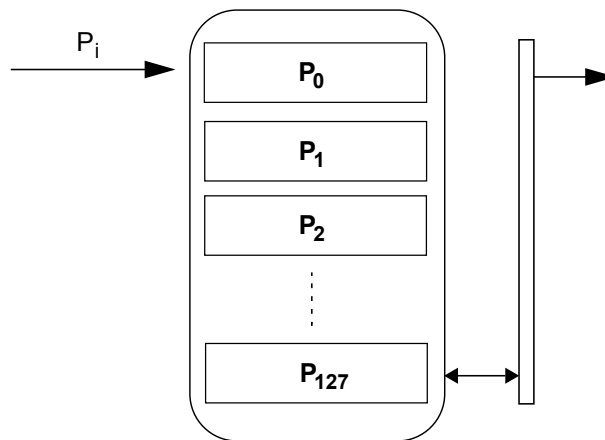


## 5.2 FIFO mode

In FIFO mode (FIFO\_CTRL (14h)(TRIG\_MODES and F\_MODE[1:0] = '001') data from the output PRESS\_OUT\_XL (28h), PRESS\_OUT\_L (29h), and PRESS\_OUT\_H (2Ah) are stored in the FIFO until it is full. To reset FIFO content, in order to select bypass mode the value '000' must be written in FIFO\_CTRL (14h) (TRIG\_MODE & F\_MODE[1:0]). After this reset command it is possible to restart FIFO mode by writing the value '001' in FIFO\_CTRL (14h)(TRIG\_MODE & F\_MODE[1:0]).

The FIFO buffer memorizes 128 levels of data, but the depth of the FIFO can be resized/reduced by setting the FIFO\_CTRL (14h)(STOP\_ON\_WTM) bit. If the STOP\_ON\_WTM bit is set to '1', FIFO depth is limited to FIFO\_WTM (15h)(WTM[6:0]) data.

Figure 9. FIFO mode



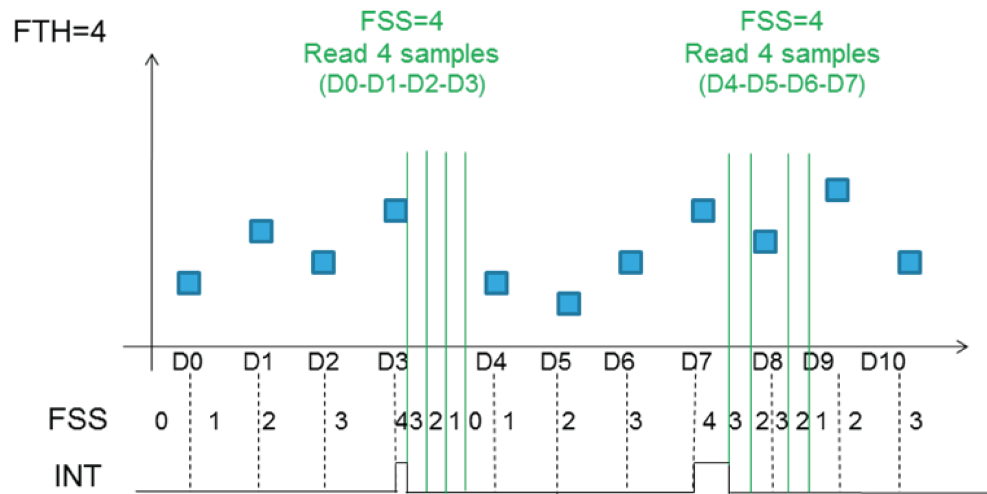
### 5.3 Continuous (dynamic-stream) mode

In Continuous (dynamic-stream) mode (`FIFO_CTRL (14h)`(`TRIG_MODES` and `F_MODE[1:0] = '011'`) after emptying the FIFO, the first new sample that arrives becomes the first to be read in a subsequent read burst. In this way, the number of new data available in FIFO does not depend on the previous read.

In continuous (dynamic-stream) mode `FIFO_STATUS1 (25h)`(`FSS[7:0]`) is the number of new pressure samples available in the FIFO buffer.

Continuous (dynamic-stream) mode is intended to be used to read `FIFO_STATUS1 (25h)`(`FSS[7:0]`) samples when it is not possible to guarantee reading data within  $1/ODR$  time period.

**Figure 10. Continuous (Dynamic-Stream) mode**

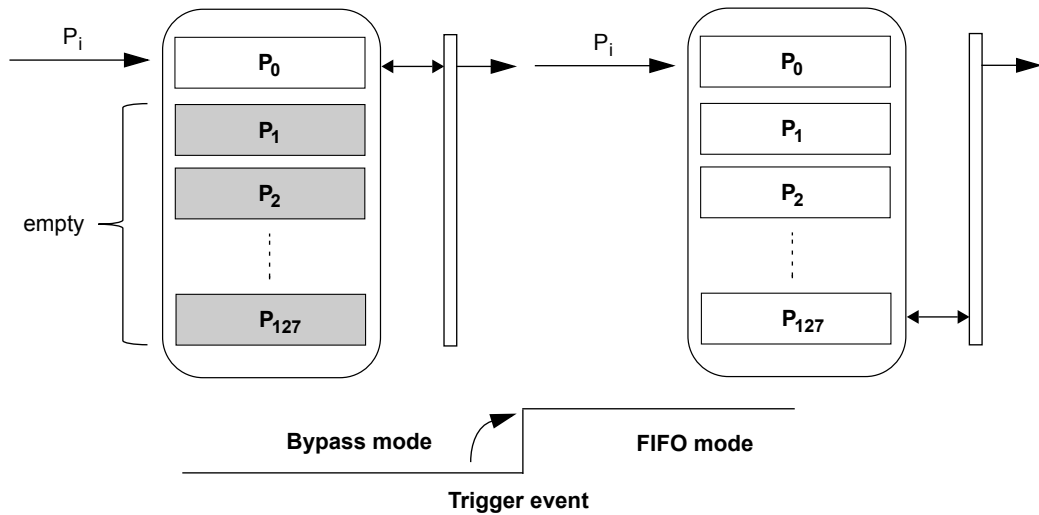


## 5.4 Bypass-to-FIFO mode

In bypass-to-FIFO mode `FIFO_CTRL (14h)`(`TRIG_MODES` and `F_MODE[1:0] = '101'`), FIFO behavior switches when the `INT_SOURCE (24h)`(`IA`) bit rises for the first time. When the `INT_SOURCE (24h)`(`IA`) bit is equal to '0', FIFO behaves like in bypass mode. Once the `INT_SOURCE (24h)`(`IA`) bit rises to '1', FIFO behavior switches and keeps behaving like in FIFO mode.

An interrupt generator has to be set to the desired configuration through `INTERRUPT_CFG (0Bh)`.

Figure 11. Bypass-to-FIFO mode

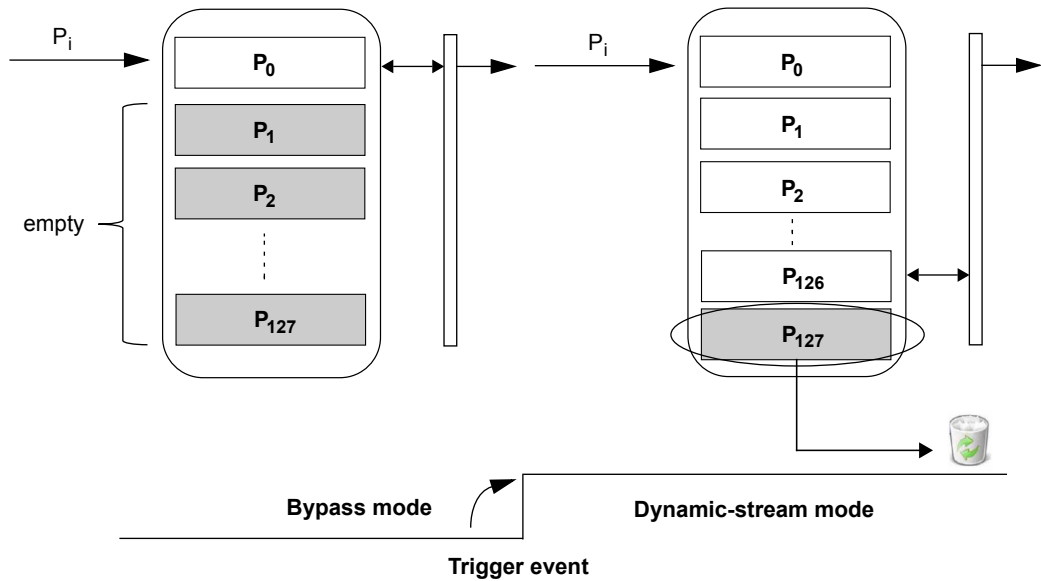


### 5.5 Bypass-to-continuous (dynamic-stream) mode

In bypass-to-continuous (dynamic-stream) mode (FIFO\_CTRL (14h)(TRIG\_MODES and F\_MODE[1:0] = '110'), FIFO operates in bypass mode until it switches to continuous (dynamic-stream) mode behavior when INT\_SOURCE (24h)(IA) rises to '1', then FIFO behavior keeps behaving like in continuous (dynamic-stream) mode.

An interrupt generator has to be set to the desired configuration through INTERRUPT\_CFG (0Bh).

**Figure 12. Bypass-to-continuous (dynamic-stream) mode**

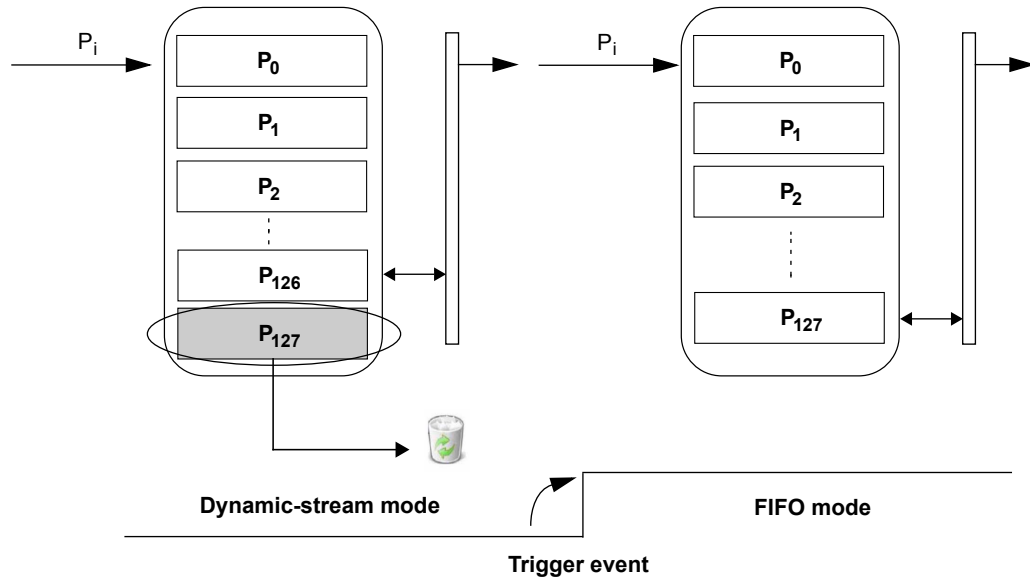


## 5.6 Continuous (dynamic-stream)-to-FIFO mode

In continuous (dynamic-stream)-to-FIFO mode (FIFO\_CTRL (14h)(TRIG\_MODES and F\_MODE[1:0] = '11'), data are stored in FIFO and FIFO operates in continuous (dynamic-stream) mode behavior until it switches to FIFO mode behavior when INT\_SOURCE (24h)(IA) rises to '1'.

An interrupt generator has to be set to the desired configuration through INTERRUPT\_CFG (0Bh).

**Figure 13. Continuous (dynamic-stream)-to-FIFO mode**



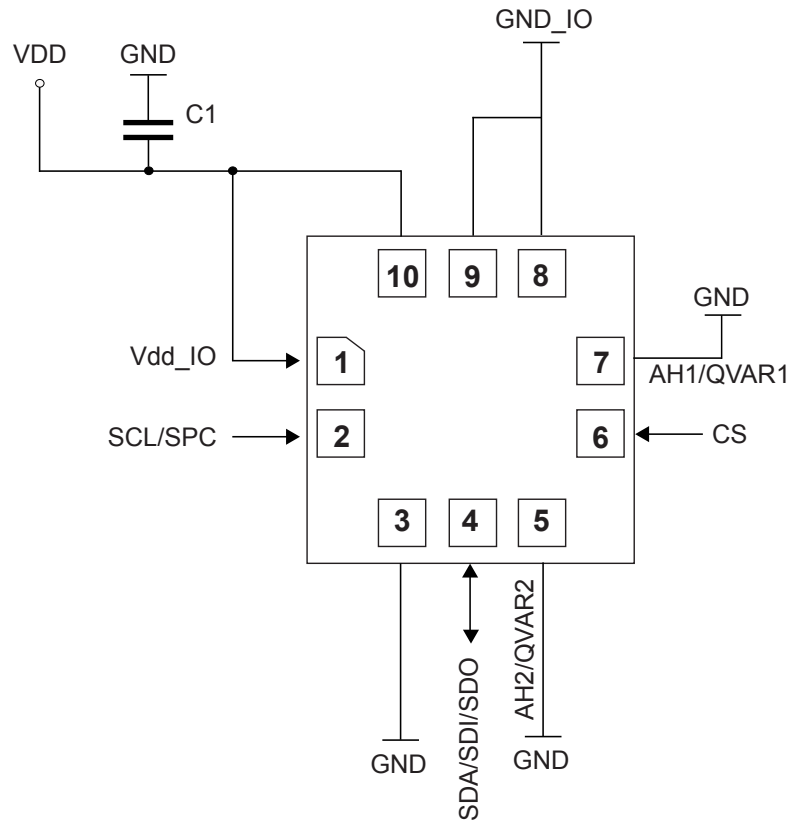
## 5.7 Retrieving data from FIFO

FIFO data is read through FIFO\_DATA\_OUT\_PRESS (78h, 79h and 7Ah).

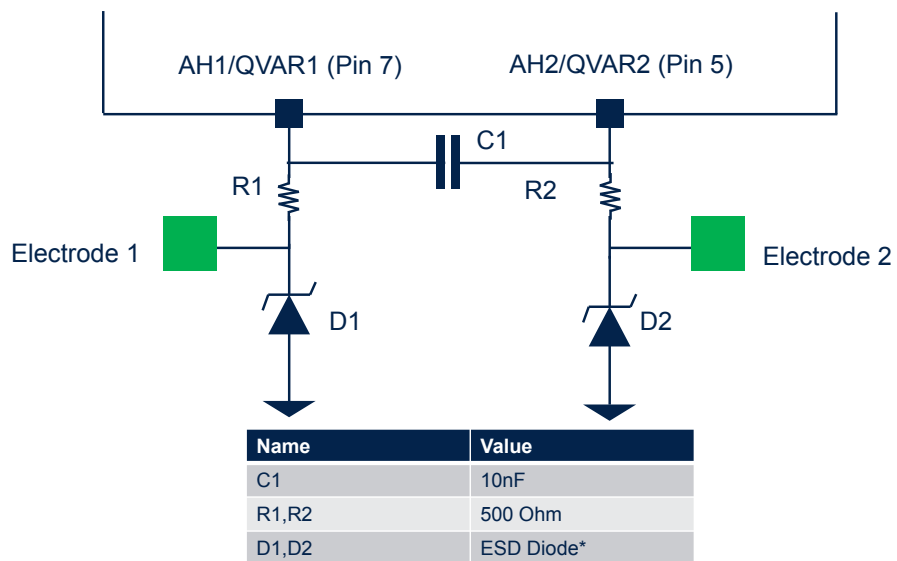
The read address is automatically updated by the device and it rolls back to 78h when register 7Ch is reached. In order to read all FIFO levels in a multiple byte read, 384 bytes (3 output registers with 128 levels) must be read.

## 6 Application hints

**Figure 14. ILPS22QS electrical connections (top view)**



**Figure 15. AH (analog hub) / Qvar external connections to pin 5, pin 7**



\*ST ESDALCL5-1BM2 is referenced as an ST catalog product but other similar features of ESD diodes also can be used.

The device power supply must be provided through the VDD line; a power supply decoupling capacitor C1 (100 nF) must be placed as near as possible to the supply pins of the device. The C1 capacitor can be tied to VDD and Vdd\_IO, but it is recommended to use 2 capacitors, one on each VDD and Vdd\_IO line, in case VDD and Vdd\_IO are separate. Depending on the application, an additional capacitor of 4.7  $\mu$ F could be placed on the VDD line.

If AH (analog hub) / Qvar is not used, it is recommended to connect both pin 5 and pin 7 to GND.

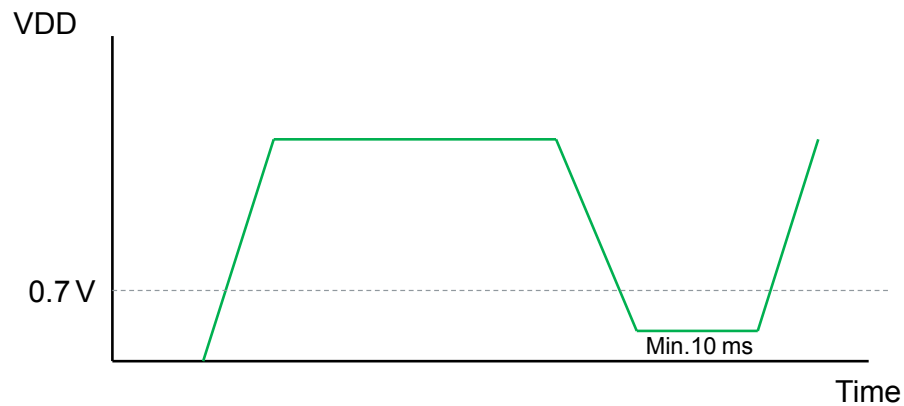
If AH (analog hub) / Qvar is used, an external network is needed as described in [Figure 15. AH \(analog hub\) / Qvar external connections to pin 5, pin 7.](#)

The functionality of the device and the measured data outputs are selectable and accessible through the I<sup>2</sup>C, MIPI I3C<sup>SM</sup>, SPI interface. When using the I<sup>2</sup>C and MIPI I3C<sup>SM</sup>, CS must be tied to Vdd\_IO.

All the voltage and ground supplies must be present at the same time to have proper behavior of the IC (refer to [Figure 14](#)). It is possible to remove VDD while maintaining Vdd\_IO without blocking the communication bus, in this condition the measurement chain is powered off.

*Note:* To guarantee proper power-off of the device, it is recommended to maintain the duration of the VDD line to GND for at least 10 ms.

**Figure 16. ILPS22QS power-off sequence**



- VDD rising / falling time: 10  $\mu$ s ~ 100 ms
- VDD must be lower than 0.7 V for at least 10 ms during power-off sequence for correct POR

## 6.1 Analog hub (AH) / Qvar functions

The ILPS22QS embeds an analog hub sensing functionality which is able to connect an analog input and convert it to a digital signal as output. In addition, Qvar sensing with external electrodes can be used for user interfaces like water leakage detection, tap, double tap, long press, and L/R - R/L swipe.

Refer to application note AN5755 for additional details.

The input impedance between QVAR1 (pin 7) and QVAR2 (pin 5) of ILPS22QS depends on the AVG and ODR configuration in [Table 6. Input impedance of Qvar](#).

## 6.2 Power-saving tip for the pressure sensor, disabling the analog hub (AH) / Qvar feature

The analog hub (AH) / Qvar feature is enabled by default and this feature causes slightly higher power consumption during operating and power-down modes to support AH/Qvar functions. Thus, it is recommended to use the following procedure to save power consumption in case the application doesn't need the AH/Qvar feature.

How to save power consumption? First of all, AH1/QVAR1 (pin 7) and AH2/QVAR2 (pin 5) must be connected to GND on the PCB (hardware design). Second, the application must write 00h in the 5Fh register whenever the application is powered on. Following this procedure, the device operates only in pressure sensor mode, disabling AH/Qvar to achieve lower power consumption as described in [Table 4. Electrical characteristics - pressure and temperature](#).

## 6.3 Soldering information

The HLGA package is compliant with the ECOPACK standard and it is qualified for soldering heat resistance according to JEDEC J-STD-020.

For land pattern and soldering recommendations, consult technical note [TN0018](#) available on [www.st.com](http://www.st.com).



## 7 Digital interfaces

### 7.1 Serial interfaces

The registers embedded in the ILPS22QS may be accessed through either the I<sup>2</sup>C, MIPI I3C<sup>SM</sup> or SPI serial interfaces. The latter operates in 3-wire SPI interface mode.

The serial interfaces are mapped to the same pins. To select/exploit the I<sup>2</sup>C interface, the CS line must be tied high (i.e. connected to Vdd\_IO).

**Table 11. Serial interface pin description**

Pin name	Pin description
CS	Enables SPI I <sup>2</sup> C and MIPI I3C <sup>SM</sup> / SPI mode selection (1: SPI idle mode / I <sup>2</sup> C and MIPI I3C <sup>SM</sup> communication enabled; 0: SPI communication mode / I <sup>2</sup> C and MIPI I3C <sup>SM</sup> disabled)
SCL/SPC	I <sup>2</sup> C / MIPI I3C <sup>SM</sup> serial clock (SCL) SPI serial port clock (SPC)
SDA SDI/SDO	I <sup>2</sup> C / MIPI I3C <sup>SM</sup> serial data (SDA) 3-wire serial data input/output (SDI/SDO)

### 7.2 I<sup>2</sup>C serial interface (CS = high)

The ILPS22QS I<sup>2</sup>C is a bus slave. The I<sup>2</sup>C is employed to write data into registers whose content can also be read back.

The relevant I<sup>2</sup>C terminology is given in the following table.

**Table 12. I<sup>2</sup>C terminology**

Term	Description
Transmitter	The device which sends data to the bus
Receiver	The device which receives data from the bus
Master	The device which initiates a transfer, generates clock signals and terminates a transfer
Slave	The device addressed by the master

There are two signals associated with the I<sup>2</sup>C bus: the serial clock line (SCL) and the serial data line (SDA). The latter is a bidirectional line used for sending and receiving the data to/from the interface. Both lines have to be connected to Vdd\_IO through pull-up resistors.

The I<sup>2</sup>C interface is compliant with fast mode+ (1 MHz) I<sup>2</sup>C standards as well as with normal mode.

### 7.2.1 I<sup>2</sup>C operation

The transaction on the bus is started through a start (ST) signal. A start condition is defined as a high to low transition on the data line while the SCL line is held high. After the master has transmitted this, the bus is considered busy. The next data byte transmitted after the start condition contains the address of the slave in the first 7 bits and the eighth bit tells whether the master is receiving data from the slave or transmitting data to the slave. When an address is sent, each device in the system compares the first seven bits after a start condition with its address. If they match, the device considers itself addressed by the master.

The 7-bit slave address (SAD) associated to the ILPS22QS is 1011100b = 5Ch.

Data transfer with acknowledge is mandatory. The transmitter must release the SDA line during the acknowledge pulse. The receiver must then pull the data line low so that it remains stable low during the high period of the acknowledge clock pulse. A receiver which has been addressed is obliged to generate an acknowledge after each byte of data received.

The I<sup>2</sup>C embedded inside the ASIC behaves like a slave device and the following protocol must be adhered to. After the start condition (ST) a slave address is sent, once a slave acknowledge has been returned (SAK), an 8-bit subaddress is transmitted (SUB). The IF\_ADD\_INC bit in CTRL\_REG2 (11h) enables subaddress auto increment (IF\_ADD\_INC is '1' by default), so if IF\_ADD\_INC = '1' the SUB (subaddress) is automatically increased to allow multiple data read/write.

The slave address is completed with a read/write bit. If the bit is '1' (read), a repeated start (SR) condition must be issued after the two subaddress bytes; if the bit is '0' (write) the master transmits to the slave with direction unchanged. The following table explains how the SAD+read/write bit pattern is composed, listing all the possible configurations.

**Table 13. SAD+read/write patterns**

Command	SAD[6:0]	R/W	SAD+R/W
Read	1011100	1	10111001 (B9h)
Write	1011100	0	10111000 (B8h)

**Table 14. Transfer when master is writing one byte to slave**

Master	ST	SAD+ W		SUB		DATA			SP
Slave			SAK		SAK		SAK		

**Table 15. Transfer when master is writing multiple bytes to slave**

Master	ST	SAD+ W		SUB		DATA		DATA		SP
Slave			SAK		SAK		SAK		SAK	

**Table 16. Transfer when master is receiving (reading) one byte of data from slave**

Master	ST	SAD+ W		SUB		SR	SAD+ R			NMAK	SP
Slave			SAK		SAK			SAK	DATA		

**Table 17. Transfer when master is receiving (reading) multiple bytes of data from slave**

Master	ST	SAD+ W		SUB		SR	SAD+ R			MAK		MAK		NMAK	SP
Slave			SAK		SAK			SAK	DATA		DATA		DATA		

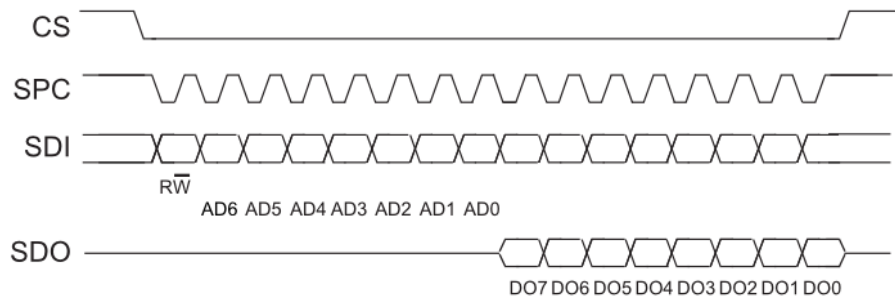
Data are transmitted in byte format (DATA). Each data transfer contains 8 bits. The number of bytes transferred per transfer is unlimited. Data is transferred with the most significant bit (MSb) first. If a slave receiver does not acknowledge the slave address (that is, it is not able to receive because it is performing some real-time function), the data line must be kept high by the slave. The master can then abort the transfer. A low to high transition on the SDA line while the SCL line is high is defined as a stop condition. Each data transfer must be terminated by the generation of a stop (SP) condition.

In the presented communication format MAK is master acknowledge and NMAK is no master acknowledge.

### 7.3 SPI bus interface (CS = low)

The ILPS22QS SPI is a bus slave. The SPI allows writing to and reading from the registers of the device. The serial interface interacts with the application using only the 3-wire **SPI** which is available with **CS**, **SPC**, **SDI/SDO**.

Figure 17. SPI read protocol



The SPI read command is performed with 16 clock pulses. The multiple byte read command is performed by adding blocks of 8 clock pulses to the previous one.

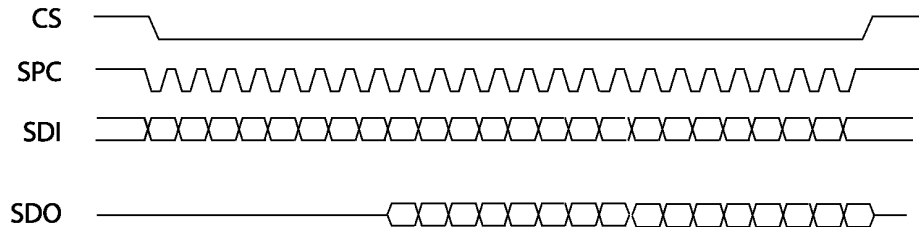
**bit0**:READ bit. The value is 1.

**bit1-7**:address AD(6:0). This is the address field of the indexed register.

**bit8-15**:data DO(7:0) (read mode). This is the data that is read from the device (MSb first).

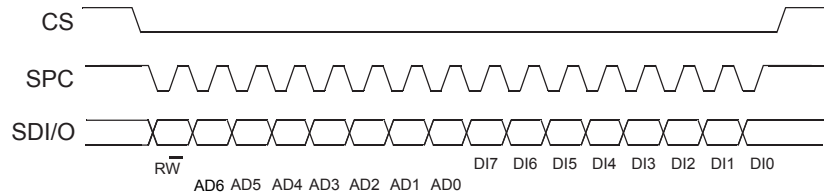
**bit16-...**:data DO(...-8). Further data in multiple byte reads.

Figure 18. Multiple byte SPI read protocol (2-byte example)



### 7.3.1 SPI write in 3-wire mode

Figure 19. SPI write protocol



The SPI write command is performed with 16 clock pulses. The multiple byte write command is performed by adding blocks of 8 clock pulses to the previous one.

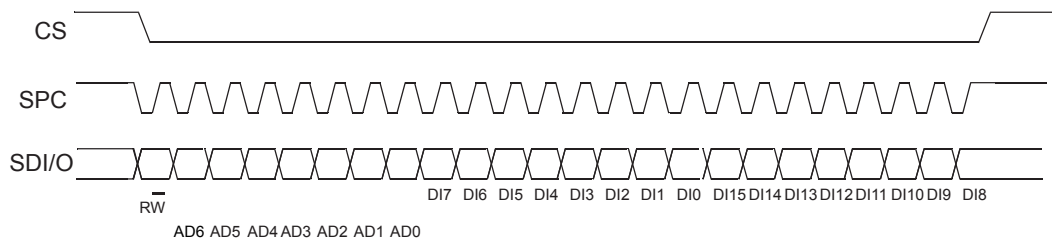
**bit0:**WRITE bit. The value is 0.

**bit1-7:**address AD(6:0). This is the address field of the indexed register.

**bit8-15:**data DI(7:0) (write mode). This is the data that is written in the device (MSb first).

**bit16-...:**data DI(...-8). Further data in multiple byte writes.

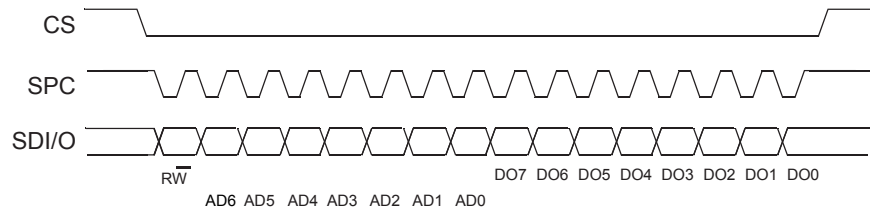
Figure 20. Multiple byte SPI write protocol (2-byte example)



### 7.3.2 SPI read in 3-wire mode

3-wire mode is entered by setting bit EN\_SPI\_READ to '1' (enables SPI read mode) in register IF\_CTRL (0Eh).

Figure 21. SPI read protocol in 3-wire mode



The SPI read command is performed with 16 clock pulses:

**bit0:**READ bit. The value is 1.

**bit1-7:**address AD(6:0). This is the address field of the indexed register.

**bit8-15:**data DO(7:0) (read mode). This is the data that is read from the device (MSb first). A multiple read command is also available in 3-wire mode.

## 7.4 MIPI I3C<sup>SM</sup> slave interface

The ILPS22QS interface includes an MIPI I3C<sup>SM</sup> SDR only slave interface (compliant with release 1.1 of the specification) with MIPI I3C<sup>SM</sup> SDR embedded features:

- CCC command
- Direct CCC communication (SET and GET)
- Broadcast CCC communication
- Private communications
- Private read and write for single byte
- Multiple read and write
- In-band interrupt request
- Slave reset pattern
- Group address
- Full range Vdd\_IO support
- Asynchronous modes 0 and 1
- Synchronous mode
- Error detection and recovery methods (S0-S6)

In order to disable the I3C block, I2C\_I3C\_DIS = 1 must be written in IF\_CTRL (0Eh).

### 7.4.1 MIPI I3C<sup>SM</sup> CCC supported commands

The list of MIPI I3C<sup>SM</sup> CCC commands supported by the device is detailed in the following table.

Table 18. MIPI I3C<sup>SM</sup> CCC commands

Command	Command code	Default	Description
ENTDAA	0x07		DAA procedure
SETDASA	0x87		Assign dynamic address using static address 0x6B/0x6A depending on SDO pin
ENEC	0x80 / 0x00		Slave activity control (direct and broadcast)
DISEC	0x81 / 0x01		Slave activity control (direct and broadcast)
ENTAS0	0x82 / 0x02		Enter activity state (direct and broadcast)
SETXTIME	0x98 / 0x28		Timing information exchange
GETXTIME	0x99	0x07 0x00 0x0C 0x92	Timing information exchange
RSTDAA	0x06		Reset the assigned dynamic address (broadcast only)
SETMWL	0x89 / 0x08		Define maximum write length during private write (direct and broadcast)
SETMRL	0x8A / 0x09		Define maximum read length during private read (direct and broadcast)
SETNEWDA	0x88		Change dynamic address
GETMWL	0x8B	0x00 0x08 (2 byte)	Get maximum write length during private write
GETMRL	0x8C	0x00 0x10 0x05 (3 byte)	Get maximum read length during private read

Command	Command code	Default	Description
GETPID	0x8D	0x02 0x08 0x00 0xB4 0x90 0x0B	SDO = 1
		0x02 0x08 0x00 0xB4 0x10 0x0B	SDO = 0
GETBCR	0x8E	0x07 (1 byte)	Bus characteristics register
GETDCR	0x8F	0x62 default	MIPI I3C <sup>SM</sup> device characteristics register
GETSTATUS	0x90	0x00 0x00 (2 byte)	Status register
GETMXDS	0x94	0x08 0x60	Return maximum write and read speed
GETCAPS	0x95	0x00 0x11 0x18 0x00	Provide information about device capabilities and supported extended features
SETGRPA	0x9B		Group address assignment command
RSTGRPA	0x2C/0x9C		Reset the group address
RSTACT	0x9A/0x2A		Configure slave reset action

## 7.5 Overview of anti-spike filter management

The device acts as a standard I<sup>2</sup>C target as long as it has an I<sup>2</sup>C static address. The device is capable of detecting and disabling the I<sup>2</sup>C anti-spike filter after detecting the broadcast address (7'h7E/W). In order to guarantee proper behavior of the device, the I3C master must emit the first START, 7'h7E/W at open-drain speed using I<sup>2</sup>C fast mode plus reference timing.

After detecting the broadcast address, the device can receive the I3C dynamic address following the I3C push-pull timing. If the device is not assigned a dynamic address, then the device will continue to operate as an I<sup>2</sup>C device with no anti-spike filter. For the case in which the host decides to keep the device as I<sup>2</sup>C with anti-spike filter, there is a configuration required to keep the anti-spike filter active. This configuration is done by writing the ASF\_ON bit to '1' in the I3C\_IF\_CTRL\_ADD (19h) register. This configuration forces the anti-spike filter to always be turned on instead of being managed by the communication on the bus.



## 8 Register mapping

The following table provides a quick overview of the 8-bit registers embedded in the device.

**Table 19. Registers address map**

Name	Type	Register address	Default	Function and comment
		Hex	Hex	
Reserved		00 – 0A	-	Reserved
INTERRUPT_CFG	R/W	0B	00h	Interrupt register
THS_P_L	R/W	0C	00h	Pressure threshold registers
THS_P_H	R/W	0D	00h	
IF_CTRL	R/W	0E	00h	Interface control register
WHO_AM_I	R	0F	B4h	Who am I
CTRL_REG1	R/W	10	00h	Control registers
CTRL_REG2	R/W	11	10h	
CTRL_REG3	R/W	12	01h	
Reserved		13	-	Reserved
FIFO_CTRL	R/W	14	00h	FIFO configuration registers
FIFO_WTM	R/W	15	00h	
REF_P_L	R	16	00h	Reference pressure registers
REF_P_H	R	17	00h	
Reserved		18	-	Reserved
I3C_IF_CTRL	R/W	19	80h	Interface configuration register
RPDS_L	R/W	1A	00h	Pressure offset registers
RPDS_H	R/W	1B	00h	
Reserved		1C-23	-	Reserved
INT_SOURCE	R	24	Output	Interrupt register
FIFO_STATUS1	R	25	Output	FIFO status registers
FIFO_STATUS2	R	26	Output	
STATUS	R	27	Output	Status register
PRESSURE_OUT_XL	R	28	Output	Pressure output registers
PRESSURE_OUT_L	R	29	Output	
PRESSURE_OUT_H	R	2A	Output	
TEMP_OUT_L	R	2B	Output	Temperature output registers
TEMP_OUT_H	R	2C	Output	
Reserved		2D - 77	-	Reserved
FIFO_DATA_OUT_PRESS_XL	R	78	Output	FIFO pressure output registers
FIFO_DATA_OUT_PRESS_L	R	79	Output	
FIFO_DATA_OUT_PRESS_H	R	7A	Output	

Registers marked as Reserved must not be changed. Writing to those registers may cause permanent damage to the device.

To guarantee the proper behavior of the device, all register addresses not listed in the above table must not be accessed and the content stored in those registers must not be changed.

The content of the registers that are loaded at boot should not be changed. They contain the factory calibration values. Their content is automatically restored when the device is powered up.

## 9 Register description

The device contains a set of registers which are used to control its behavior and to retrieve pressure and temperature data. The register address, made up of 7 bits, is used to identify them and to read/write the data through the serial interface.

### 9.1 INTERRUPT\_CFG (0Bh)

Interrupt mode for pressure acquisition configuration (R/W)

7	6	5	4	3	2	1	0
AUTOREFP	RESET_ARP	AUTOZERO	RESET_AZ	-	LIR	PLE	PHE

AUTOREFP	Enable AUTOREFP function. Default value: 0 (0: normal mode; 1: AUTOREFP enabled)
RESET_ARP	Reset AUTOREFP function. Default value: 0 (0: normal mode; 1: reset AUTOREFP function)
AUTOZERO	Enable AUTOZERO function. Default value: 0 (0: normal mode; 1: AUTOZERO enabled)
RESET_AZ	Reset AUTOZERO function. Default value: 0 (0: normal mode; 1: reset AUTOZERO function)
LIR	Latch interrupt request to the <a href="#">INT_SOURCE (24h)</a> register. Default value: 0 (0: interrupt request not latched; 1: interrupt request latched)
PLE	Enable interrupt generation on pressure low event. Default value: 0 (0: disable interrupt request; 1: enable interrupt request on pressure value lower than preset threshold)
PHE	Enable interrupt generation on pressure high event. Default value: 0 (0: disable interrupt request; 1: enable interrupt request on pressure value higher than preset threshold)

Referring to [Figure 22. "Threshold-based" interrupt event](#), the ILPS22QS can be set by the user to support the interrupt function when P\_DIFF\_IN (defined below) is higher or lower than the threshold value stored in [THS\\_P\\_L \(0Ch\)](#) and [THS\\_P\\_H \(0Dh\)](#).

It is enabled when either the PHE bit or PLE bit (or both bits) is set to '1'. Then, the differential pressure can be compared to a user-defined threshold stored in the 15-bit THS\_P (0Ch and 0Dh) registers.

The threshold pressure value defined by the user is a 15-bit unsigned value in a 16-bit register composed of [THS\\_P\\_L \(0Ch\)](#) and [THS\\_P\\_H \(0Dh\)](#). The value is:

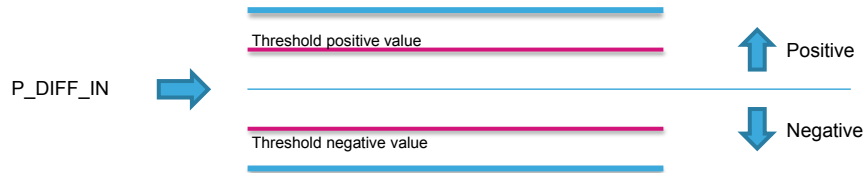
THS\_P (15-bit unsigned) = Desired interrupt threshold (hPa) x 16 for FS\_mode 1 (up to 1260 hPa)

THS\_P (15-bit unsigned) = Desired interrupt threshold (hPa) x 8 for FS\_mode 2 (up to 4060 hPa)

The PHE and PLE bits in INTERRUPT\_CFG (0Bh) enable the differential pressure interrupt generation on the positive or negative event respectively.

The differential interrupt must be used with AUTOREFP or AUTOZERO mode.

Figure 22. “Threshold-based” interrupt event



To enable the **AUTOZERO** mode, the AUTOZERO bit must be set to '1' and then the measured pressure value is used as the reference and stored in the register REF\_P (REF\_P\_L (16h), REF\_P\_H (17h)). From this point on, the output pressure value (PRESS\_OUT\_XL (28h), PRESS\_OUT\_L (29h), PRESS\_OUT\_H (2Ah)) is updated with the difference between the measured pressure and REF\_P.

- P\_DIFF\_IN = measured pressure - REF\_P
- PRESS\_OUT = measured pressure - REF\_P

After the first conversion, the AUTOZERO bit is automatically set back to '0'. In order to return back to normal mode, the RESET\_AZ bit in the INTERRUPT\_CFG (0Bh) register has to be set to '1'. This also resets the content of the REF\_P registers to 0.

**AUTOREFP** mode allows using the pressure differential for the generation of the interrupt keeping the output pressure registers PRESS\_OUT (PRESS\_OUT\_XL (28h), PRESS\_OUT\_L (29h), PRESS\_OUT\_H (2Ah)) without comparing REF\_P. If the AUTOREFP bit is set to '1', the measured output pressure is used as the reference in the register REF\_P (REF\_P\_L (16h), REF\_P\_H (17h)) for interrupt generation with following:

- P\_DIFF\_IN = measured pressure - REF\_P

The output registers PRESS\_OUT (28h, 29h and 2Ah) are not changed by REF\_P and shows as follows.

- PRESS\_OUT = measured pressure

After the first conversion, the AUTOREFP bit is automatically set to '0'. In order to return back to normal mode, the RESET\_ARP bit has to be set to '1'.

## 9.2 THS\_P\_L (0Ch)

User-defined threshold value for pressure interrupt event (Least significant bits) (R/W)

7	6	5	4	3	2	1	0
THS7	THS6	THS5	THS4	THS3	THS2	THS1	THS0

THS[7:0]	This register contains the low part of threshold value for pressure interrupt generation. Default value: 00h
----------	---

The threshold value for pressure interrupt generation is a 15-bit unsigned right-justified value composed of THS\_P\_H (0Dh) and THS\_P\_L (0Ch). The value is expressed as:

THS\_P (15-bit unsigned) = Desired interrupt threshold (hPa) x 16 for FS\_mode 1 (up to 1260 hPa)

THS\_P (15-bit unsigned) = Desired interrupt threshold (hPa) x 8 for FS\_mode 2 (up to 4060 hPa)

To enable the interrupt event based on this user-defined threshold, the PHE bit or PLE bit (or both bits) in INTERRUPT\_CFG (0Bh) has to be enabled.

### 9.3 THS\_P\_H (0Dh)

User-defined threshold value for pressure interrupt event (Most significant bits) (R/W)

7	6	5	4	3	2	1	0
-	THS14	THS13	THS12	THS11	THS10	THS9	THS8

THS[14:8]	This register contains the high part of threshold value for pressure interrupt generation. Refer to <a href="#">THS_P_L (0Ch)</a> . Default value: 00h
-----------	---

### 9.4 IF\_CTRL (0Eh)

Interface control register (R/W)

7	6	5	4	3	2	1	0
0	I2C_I3C_DIS	EN_SPI_READ	SDA_PU_EN	0	0	CS_PU_DIS	-

I2C_I3C_DIS	Disable I <sup>2</sup> C and I3C digital interfaces. Default value: 0 (0: enable I <sup>2</sup> C and I3C digital interfaces; 1: disable I <sup>2</sup> C and I3C digital interfaces)
EN_SPI_READ	Enable SPI read mode. This bit must be set to 1 before using SPI 3-wire interface. Default value: 0 (0: disable SPI read for 3-wire SPI; 1: enable SPI read for 3-wire SPI)
SDA_PU_EN	Enable pull-up on the SDA pin. Default value: 0 (0: SDA pin pull-up disconnected; 1: SDA pin with pull-up)
CS_PU_DIS	Disable pull-up on CS pin. Default value: 0 (0: CS pin with internal pull-up; 1: CS pin pull-up disconnected)

### 9.5 WHO\_AM\_I (0Fh)

Device Who am I

7	6	5	4	3	2	1	0
1	0	1	1	0	1	0	0

## 9.6 CTRL\_REG1 (10h)

Control register 1 (R/W)

7	6	5	4	3	2	1	0
0	ODR3	ODR2	ODR1	ODR0	AVG2	AVG1	AVG0

ODR[3:0]	Output data rate selection. Default value: 0000 Refer to <a href="#">Table 20</a> .
AVG[2:0]	Average selection. Default value: 000 Refer to <a href="#">Table 21</a> .

**Table 20. Output data rate bit configurations**

ODR[3:0]	ODR of pressure, temperature, and Qvar
0000	Power-down / one-shot
0001	1 Hz
0010	4 Hz
0011	10 Hz
0100	25Hz
0101	50 Hz
0110	75 Hz
0111	100 Hz
1xxx	200 Hz

**Table 21. Averaging selection**

AVG[2:0]	Averaging of pressure, temperature, and Qvar
000	4
001	8
010	16
011	32
100	64
101	128
111	512

The power consumption of the ILPS22QS mainly depends on the selected ODR (Output Data Rate) and on the selected resolution. The user can select the desired ODR and the oversampling frequency for pressure measurements in the CTRL\_REG1 (10h) register. The ODR[3:0] bits are dedicated to the ODR selection, while the AVG[2:0] bits are used to configure the resolution.

The following table summarizes the current consumption of all the ASIC resolution modes.

**Table 22. Power consumption for pressure acquisition**

AVG	One-shot mode		Continuous mode – current consumption (µA) vs. ODR							
	Current consumption (µA) @ 1 Hz	ODR max	1 Hz	4 Hz	10 Hz	25 Hz	50 Hz	75 Hz	100 Hz	200 Hz
512	31.1	25	32.8	126.8	314.4	783.8	-	-	-	-
128	9.2	75	10	35.6	86.7	214.3	427	639.8	-	-
64	5.5	100	6.3	20.4	48.7	119.4	237.2	355	472.8	-
32	3.6	200	4.4	12.8	29.8	71.9	142.2	212.6	282.9	564.4
16	2.7	300	3.5	9	20.2	48.2	94.8	141.4	188	374
8	2	400	2.7	6	12.6	29.1	56.5	84.2	111.5	221.7
4	1.8	500	2.5	5	10.2	23.2	44.7	66.2	87.8	174

**Table 23. Power consumption for Qvar acquisition**

AVG	One-shot mode		Continuous mode – current consumption (µA) vs. ODR							
	Current consumption (µA) @ 1 Hz	ODR max	1 Hz	4 Hz	10 Hz	25 Hz	50 Hz	75 Hz	100 Hz	200 Hz
512	21.9	25	22.6	76.4	184.5	458.6	-	-	-	-
128	8.6	75	9.3	24.1	53.9	128.4	253.4	379	-	-
64	6.5	100	7.2	15.4	32.1	73.6	143.2	213.1	283.1	-
32	5.4	200	6.1	11.1	21.3	46.5	88.6	131	173.4	343.4
16	4.8	300	5.5	8.9	15.7	32.8	61.4	90	118.7	233.4
8	4.3	400	5	6.9	10.7	20	35.8	51.4	67.1	130.2
4	4.2	500	4.9	6.4	9.3	16.6	28.9	41.2	53.5	102.7

The noise performance of pressure in ILPS22QS is also defined as depending on the ODR and selected resolution and its performance is a trade-off between the power consumption and resolution. The noise performance is indicated in the following table.

**Table 24. Noise performance of pressure**

AVG	FS = 1260 hPa			FS = 4060 hPa		
	Pressure noise (Pa <sub>rms</sub> )			Pressure noise (Pa <sub>rms</sub> )		
	ODR/2 <sup>(1)</sup>	ODR/4	ODR/9	ODR/2 <sup>(1)</sup>	ODR/4	ODR/9
512	0.59	0.44	0.34	1.16	0.85	0.64
128	0.9	0.67	0.48	2.15	1.48	1.11
64	1.20	0.86	0.64	2.98	2.05	1.55
32	1.64	1.16	0.87	4.14	2.89	2.10
16	2.30	1.63	1.18	5.86	4.11	2.97
8	3.12	2.18	1.60	8.11	5.73	4.23
4	4.26	2.87	2.20	11.3	7.82	5.81

1. LPF1 filter is disabled.

When the ODR bits are set to '0000', the device is in **Power-down mode**. When the device is in power-down mode, almost all internal blocks of the device are switched off to minimize power consumption. The digital interface is still active to allow communication with the device. The content of the configuration registers is preserved and output data registers are not updated, therefore keeping the last data sampled in memory before going into power-down mode.

If the ONESHOT bit in CTRL\_REG2 (11h) is set to '1', **one-shot mode** is triggered and a new acquisition starts when it is required. Enabling this mode is possible only if the device was previously in power-down mode (ODR bits set to '0000'). Once the acquisition is completed and the output registers updated, the device automatically enters in power-down mode. ONESHOT bit self-clears itself.

When the ODR bits are set to a value different than '0000', the device is in **continuous mode** and automatically acquires a set of data (pressure and temperature) at the frequency selected through the ODR[3:0] bits.



## 9.7 CTRL\_REG2 (11h)

Control register 2 (R/W)

7	6	5	4	3	2	1	0
BOOT	FS_Mode	LFPF_CFG	EN_LPFP	BDU	SWRESET	-	ONESHOT

BOOT	Reboots memory content. Default value: 0 (0: normal mode; 1: reboot memory content)
FS_Mode	Full-scale selection. Default value: 0 (0: mode 1, full scale up to 1260 hPa; 1: mode 2, full scale up to 4060 hPa)
LFPF_CFG	Low-pass filter configuration. Default value: 0 (0: ODR/4; 1: ODR/9)
EN_LPFP	Enables low-pass filter on pressure data. Default value: 1 (0: disable, 1: enable)
BDU <sup>(1)</sup>	Block data update. Default value: 0 (0: continuous update; 1: output registers not updated until MSB and LSB have been read)
SWRESET	Software reset. Default value: 0 (0: normal mode; 1: software reset). The bit is self-cleared when the reset is completed.
ONESHOT	Enables one-shot mode. Default value: 0 (0: idle mode; 1: a new dataset is acquired)

1. To guarantee the correct behavior of the BDU feature, *PRESS\_OUT\_H (2Ah)* must be the last address read.

The BOOT bit is used to refresh the content of the internal registers stored in the Non-Volatile memory block. At device power-up, the content of the Non-Volatile memory block is transferred to the internal registers related to the trimming functions to allow correct behavior of the device itself. If for any reason the content of the trimming registers is modified, it is sufficient to use this bit to restore the correct values. When the BOOT bit is set to '1', the content of the internal Non-Volatile memory is copied into the corresponding internal registers and is used to calibrate the device. These values are factory trimmed and they are different for every device. They allow the correct behavior of the device and normally they should not be changed. At the end of the boot process, the BOOT bit is set again to '0' by hardware. The BOOT bit takes effect immediately after it is set to 1.

The ONESHOT bit is used to start a new conversion when the ODR[3:0] bits in *CTRL\_REG1 (10h)* are set to '0000'. Writing a '1' to ONESHOT triggers a single measurement of pressure and temperature. Once the measurement is done, the ONESHOT bit will self-clear, the new data are available in the output registers, and the *STATUS (27h)* bits are updated.

## 9.8 CTRL\_REG3 (12h)

Control register 3 (R/W)

7	6	5	4	3	2	1	0
AH_QVAR_EN	0	0	0	0	0	0	IF_ADD_INC

AH_QVAR_EN	Enables AH (analog hub) / Qvar functions. Default : 0 (0: disable; 1: enable)
IF_ADD_INC	Register address automatically incremented during a multiple byte access with a serial interface (I <sup>2</sup> C or SPI). Default value: 1 (0: disable, 1: enable)

The AH\_QVAR\_EN bit enables the AH (analog hub) and Qvar functions. The network of external connections and electrodes must be designed in the final application if these functions need to be enabled. Refer to [Figure 15. AH \(analog hub\) / Qvar external connections to pin 5, pin 7](#).

The IF\_ADD\_INC bit enables the address to be automatically incremented during a multiple byte access with a serial interface (SPI or I<sup>2</sup>C).

## 9.9 FIFO\_CTRL (14h)

FIFO control register (R/W)

7	6	5	4	3	2	1	0
0	0	0	0	STOP_ON_WTM	TRIG_MODES	F_MODE1	F_MODE0

STOP_ON_WTM	Stop-on-FIFO watermark. Enables FIFO watermark level use. Default value: 0 (0: disable; 1: enable)
TRIG_MODES	Enables triggered FIFO modes. Default value: 0
F_MODE[1:0]	Selects triggered FIFO modes. Default value: 00 Refer to <a href="#">Table 25</a> .

**Table 25. FIFO mode selection**

TRIG_MODES	F_MODE[1:]	Mode
x	00	Bypass
0	01	FIFO mode
0	1x	Continuous (Dynamic-Stream)
1	01	Bypass-to-FIFO
1	10	Bypass-to-Continuous (Dynamic-Stream)
1	11	Continuous (Dynamic-Stream)-to-FIFO

The STOP\_ON\_WTM bit enables the use of the FIFO watermark level: when the number of samples in FIFO is equal to the watermark level (set using the WTM[6:0] bits in [FIFO\\_WTM \(15h\)](#)) then FIFO is full.

The TRIG\_MODES bit enables the triggered FIFO modes.

The F\_MODE[1:0] bits select one of the FIFO modes, as described in [Table 25](#).

Output pressure data are read through [FIFO\\_DATA\\_OUT\\_PRESS\\_XL \(78h\)](#), [FIFO\\_DATA\\_OUT\\_PRESS\\_L \(79h\)](#) and [FIFO\\_DATA\\_OUT\\_PRESS\\_H \(7Ah\)](#); both single read and multiple read operations can be used.

### 9.10 FIFO\_WTM (15h)

FIFO threshold setting register (R/W)

7	6	5	4	3	2	1	0
0	WTM6	WTM5	WTM4	WTM3	WTM2	WTM1	WTM0

WTM[6:0]	FIFO threshold. Watermark level setting. Default value: 0000000
----------	---

### 9.11 REF\_P\_L (16h)

Reference pressure LSB data (R)

7	6	5	4	3	2	1	0
REFL7	REFL6	REFL5	REFL4	REFL3	REFL2	REFL1	REFL0

REFL[7:0]	This register contains the low part of the reference pressure value. Default value: 00000000
-----------	---

The reference pressure value is 16-bit data and it is composed of [REF\\_P\\_H \(17h\)](#) and [REF\\_P\\_L \(16h\)](#). The value is expressed as 2's complement.

The reference pressure value is stored and used when the AUTOZERO or AUTOREFP function is enabled. Please refer to the [INTERRUPT\\_CFG \(0Bh\)](#) register description.

### 9.12 REF\_P\_H (17h)

Reference pressure MSB data (R)

7	6	5	4	3	2	1	0
REFL15	REFL14	REFL13	REFL12	REFL11	REFL10	REFL9	REFL8

REFL[15:8]	This register contains the high part of the reference pressure value. Default value: 00000000
------------	--

### 9.13 I3C\_IF\_CTRL\_ADD (19h)

Control register (R/W)

7	6	5	4	3	2	1	0
1	0	ASF_ON	0	0	0	I3C_Bus_Avb_Sel1	I3C_Bus_Avb_Sel0

ASF_ON	Enable anti-spike filters. Default value: 0 (0: anti-spike filters are managed by protocol and turned off after the broadcast address; 1: anti-spike filters on SCL and SDA lines are always enabled)
I3C_Bus_Avb_Sel[1:0]	These bits are used to select the bus available time when I3C IBI is used. Default value: 00 (00: bus available time equal to 50 µsec; 01: bus available time equal to 2 µsec; 10: bus available time equal to 1 msec; 11: bus available time equal to 25 msec)

### 9.14 RPDS\_L (1Ah)

Pressure offset (LSB data)

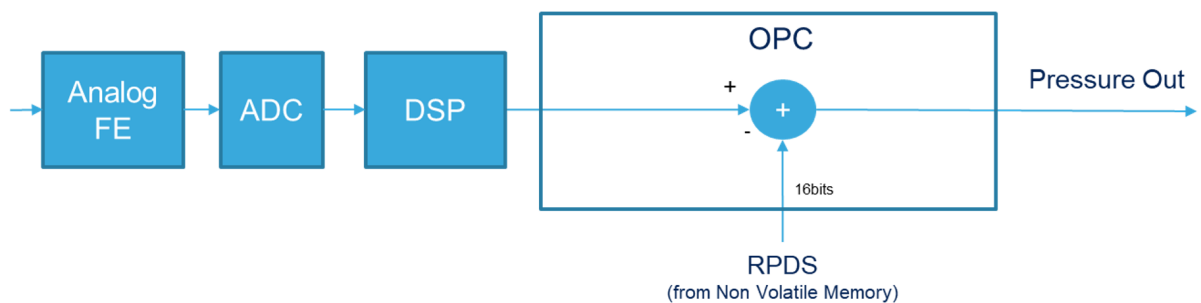
7	6	5	4	3	2	1	0
RPDS7	RPDS6	RPDS5	RPDS4	RPDS3	RPDS2	RPDS1	RPDS0

RPDS[7:0]	This register contains the low part of the pressure offset value. Default value: 00000000
-----------	--

The pressure offset value is 16-bit data that can be used to implement one-point calibration (OPC) after soldering. This value is composed of RPDS\_H (1Bh) and RPDS\_L (1Ah). The value is expressed as 2's complement.

The customer can perform a one-point calibration after soldering (recommended) and the offset coefficient can be stored for OPC in register RPDS (1Ah, 1Bh). These stored offset values are directly added to the compensated pressure data in the block diagram below. To give better flexibility to the user, the OPC value can be written twice in the same register map.

Figure 23. One-point calibration



### 9.15 RPDS\_H (1Bh)

Pressure offset (MSB data)

7	6	5	4	3	2	1	0
RPDS15	RPDS14	RPDS13	RPDS12	RPDS11	RPDS10	RPDS9	RPDS8

RPDS[15:8]	This register contains the high part of the pressure offset value. Default value: 00000000
------------	---

### 9.16 INT\_SOURCE (24h)

Interrupt source (read only) register for differential pressure. A read at this address clears the INT\_SOURCE register itself.

7	6	5	4	3	2	1	0
BOOT_ON	0	0	0	0	IA	PL	PH

BOOT_ON	Indication that Boot (reboot) phase is running. (0: boot phase not running; 1: boot phase is running)
IA	Interrupt active. (0: no interrupt has been generated; 1: one or more interrupt events have been generated).
PL	Differential pressure Low. (0: no interrupt has been generated; 1: low differential pressure event has occurred).
PH	Differential pressure High. (0: no interrupt has been generated; 1: high differential pressure event has occurred).

### 9.17 FIFO\_STATUS1 (25h)

FIFO status register (read only)

7	6	5	4	3	2	1	0
FSS7	FSS6	FSS5	FSS4	FSS3	FSS2	FSS1	FSS0

FSS[7:0]	FIFO stored data level, number of unread samples stored in FIFO. (00000000: FIFO empty; 10000000: FIFO full, 128 unread samples)
----------	---

### 9.18 FIFO\_STATUS2 (26h)

FIFO status register (read only)

7	6	5	4	3	2	1	0
FIFO_WTM_IA	FIFO_OVR_IA	FIFO_FULL_IA	-	-	-	-	-

FIFO_WTM_IA	FIFO threshold (watermark) status. Default value: 0 (0: FIFO filling is lower than treshold level; 1: FIFO filling is equal or higher than treshold level).
FIFO_OVR_IA	FIFO overrun status. Default value: 0 (0: FIFO is not completely full; 1: FIFO is full and at least one sample in the FIFO has been overwritten).
FIFO_FULL_IA	FIFO full status. Default value: 0 (0: FIFO is not completely filled; 1: FIFO is completely filled, no samples overwritten)

### 9.19 STATUS (27h)

Status register (read only)

7	6	5	4	3	2	1	0
-	-	T_OR	P_OR	-	-	T_DA	P_DA

T_OR	Temperature data overrun. (0: no overrun has occurred; 1: a new data for temperature has overwritten the previous data)
P_OR	Pressure data overrun. (0: no overrun has occurred; 1: new data for pressure has overwritten the previous data)
T_DA	Temperature data available. (0: new data for temperature is not yet available; 1: a new temperature data is generated)
P_DA	Pressure data available. (0: new data for pressure is not yet available; 1: a new pressure data is generated)

This register is updated every ODR cycle.

### 9.20 PRESS\_OUT\_XL (28h)

Either pressure output or AH/Qvar output value LSB data (read only)

7	6	5	4	3	2	1	0
POUT7	POUT6	POUT5	POUT4	POUT3	POUT2	POUT1	POUT0

POUT[7:0]	This register contains the low part of the pressure or AH/Qvar output value.
-----------	--

The pressure output value is a 24-bit data that contains the measured pressure. It is composed of [PRESS\\_OUT\\_H \(2Ah\)](#), [PRESS\\_OUT\\_L \(29h\)](#) and [PRESS\\_OUT\\_XL \(28h\)](#). The value is expressed as 2's complement.

The output pressure register **PRESS\_OUT** is provided as the difference between the measured pressure and the content of the register **RPDS (1Ah, 1Bh)**.

Please refer to [Section 4.4 Interpreting pressure readings](#) for additional information.

### 9.21 PRESS\_OUT\_L (29h)

Either pressure output or AH/Qvar output value middle data (read only)

7	6	5	4	3	2	1	0
POUT15	POUT14	POUT13	POUT12	POUT11	POUT10	POUT9	POUT8

POUT[15:8]	This register contains the mid part of the pressure or AH/Qvar output value. Refer to <a href="#">PRESS_OUT_XL (28h)</a> .
------------	---

### 9.22 PRESS\_OUT\_H (2Ah)

Either pressure output or AH/Qvar output value MSB data (read only)

7	6	5	4	3	2	1	0
POUT23	POUT22	POUT21	POUT20	POUT19	POUT18	POUT17	POUT16

POUT[23:16]	This register contains the high part of the pressure or AH/Qvar output value. Refer to <a href="#">PRESS_OUT_XL (28h)</a> .
-------------	--

### 9.23 TEMP\_OUT\_L (2Bh)

Temperature output value LSB data (read only)

7	6	5	4	3	2	1	0
TOUT7	TOUT6	TOUT5	TOUT4	TOUT3	TOUT2	TOUT1	TOUT0

TOUT[7:0]	This register contains the low part of the temperature output value.
-----------	--

The temperature output value is 16-bit data that contains the measured temperature. It is composed of [TEMP\\_OUT\\_H \(2Ch\)](#), and [TEMP\\_OUT\\_L \(2Bh\)](#). The value is expressed as 2's complement.

This register contains the temperature value and the resolution is: 1LSB = 0.01 °C.

### 9.24 TEMP\_OUT\_H (2Ch)

Temperature output value MSB data (read only)

7	6	5	4	3	2	1	0
TOUT15	TOUT14	TOUT13	TOUT12	TOUT11	TOUT10	TOUT9	TOUT8

TOUT[15:8]	This register contains the high part of the temperature output value.
------------	---

### 9.25 FIFO\_DATA\_OUT\_PRESS\_XL (78h)

Either FIFO pressure or AH/Qvar output LSB data (read only)

7	6	5	4	3	2	1	0
FIFO_P7	FIFO_P6	FIFO_P5	FIFO_P4	FIFO_P3	FIFO_P2	FIFO_P1	FIFO_P0

FIFO_P[7:0]	Pressure or AH/Qvar LSB data in FIFO buffer
-------------	---

### 9.26 FIFO\_DATA\_OUT\_PRESS\_L (79h)

Either FIFO pressure or AH/Qvar output middle data (read only)

7	6	5	4	3	2	1	0
FIFO_P15	FIFO_P14	FIFO_P13	FIFO_P12	FIFO_P11	FIFO_P10	FIFO_P9	FIFO_P8

FIFO_P[15:8]	Pressure or AH/Qvar middle data in FIFO buffer
--------------	--

### 9.27 FIFO\_DATA\_OUT\_PRESS\_H (7Ah)

Either FIFO pressure or AH/Qvar output MSB data (read only)

7	6	5	4	3	2	1	0
FIFO_P23	FIFO_P22	FIFO_P21	FIFO_P20	FIFO_P19	FIFO_P18	FIFO_P17	FIFO_P16

FIFO_P[23:16]	Pressure or AH/Qvar MSB data in FIFO buffer
---------------	---

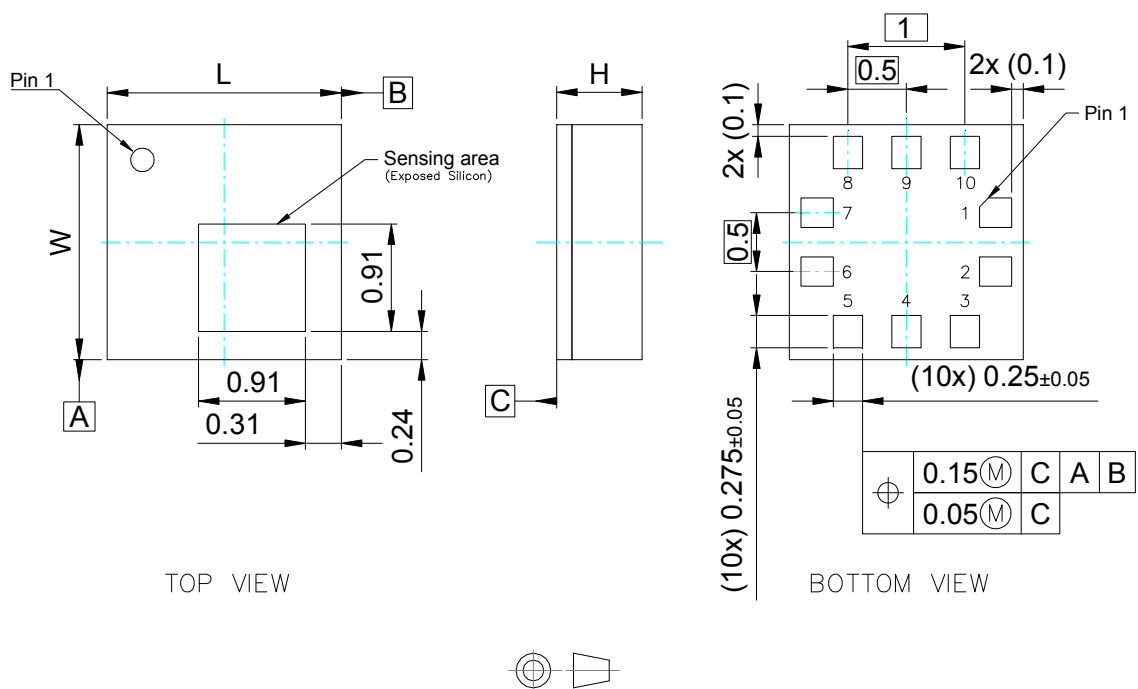


## 10 Package information

In order to meet environmental requirements, ST offers these devices in different grades of **ECOPACK** packages, depending on their level of environmental compliance. ECOPACK specifications, grade definitions and product status are available at: [www.st.com](http://www.st.com). ECOPACK is an ST trademark.

### 10.1 HLGA-10L package information

Figure 24. HLGA-10L (2.0 x 2.0 x 0.73 mm typ.) package outline and mechanical dimensions



Dimensions are in millimeter unless otherwise specified  
General Tolerance is  $\pm 0.1$  mm unless otherwise specified

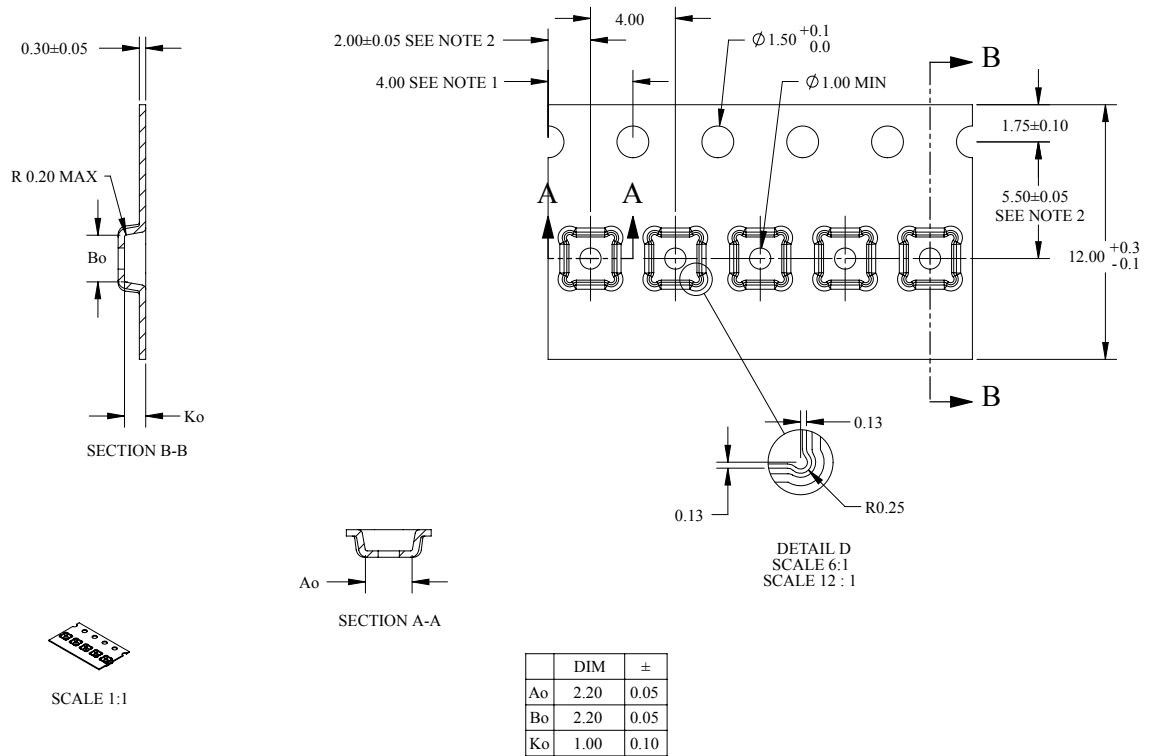
#### OUTER DIMENSIONS

ITEM	DIMENSION [mm]	TOLERANCE [mm]
Length [L]	2	$\pm 0.1$
Width [W]	2	$\pm 0.1$
Height [H]	0.8 max	/

DM00386636\_1

## 10.2 HLGA-10L packing information

Figure 25. Carrier tape information for HLGA-10L package



SCALE 1:1

- NOTES:
1. 10 SPROCKET HOLE PITCH CUMULATIVE TOLERANCE  $\pm 0.2$
  2. POCKET POSITION RELATIVE TO SPROCKET HOLE MEASURED AS TRUE POSITION OF POCKET, NOT POCKET HOLE.
  3. Ao AND Bo ARE MEASURED ON A PLANE AT A DISTANCE "R" ABOVE THE BOTTOM OF THE POCKET.

Figure 26. HLGA-10L package orientation in carrier tape

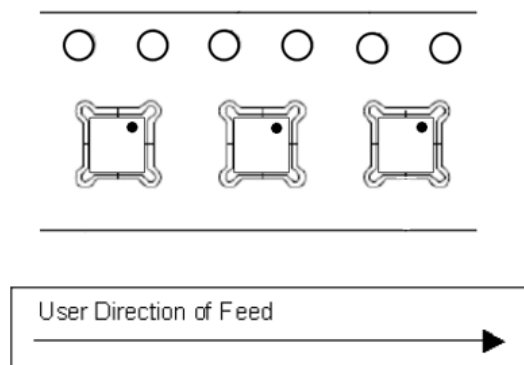


Figure 27. Reel information for carrier tape of HLGA-10L package

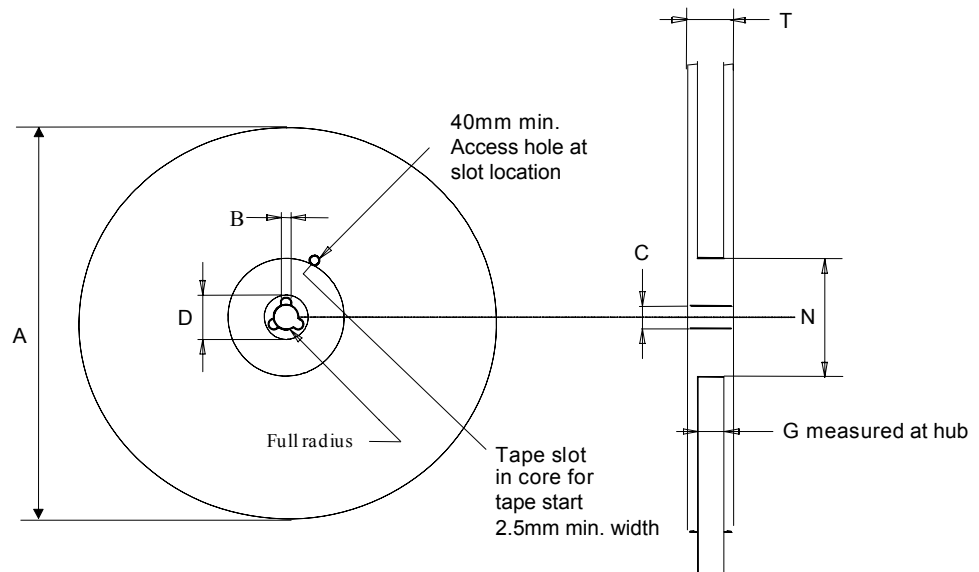


Table 26. Reel dimensions for carrier tape of HLGA-10L package

Reel dimensions (mm)	
A (max)	330
B (min)	1.5
C	13 ±0.25
D (min)	20.2
N (min)	60
G	12.4 +2/-0
T (max)	18.4

## Revision history

**Table 27. Document revision history**

Date	Version	Changes
01-Oct-2021	1	Initial release
22-Dec-2021	2	<p>Added Qvar functionality</p> <p>Updated Idd in Table 4. Electrical characteristics - pressure and temperature and added Table 5. Electrical parameters of Qvar (@Vdd = 1.8 V, T = 25 °C) and Table 6. Input impedance of Qvar</p> <p>Updated GETPID command in Table 18. MIPI I3C<sup>SM</sup> CCC commands</p> <p>Updated Section 6 Application hints, added Figure 15. AH (analog hub) / Qvar external connections to pin 5, pin 7, added Section 6.1 Analog hub (AH) / Qvar functions and Section 6.2 Power-saving tip for the pressure sensor, disabling the analog hub (AH) / Qvar feature</p> <p>Added Table 23. Power consumption for Qvar acquisition</p> <p>Updated CTRL_REG3 (12h)</p> <p>Minor textual updates</p>

## Contents

<b>1</b>	<b>Block diagrams</b> .....	<b>3</b>
<b>2</b>	<b>Pin description</b> .....	<b>4</b>
<b>3</b>	<b>Mechanical and electrical specifications</b> .....	<b>5</b>
<b>3.1</b>	Mechanical characteristics .....	5
<b>3.2</b>	Electrical characteristics .....	7
<b>3.3</b>	Communication interface characteristics .....	9
<b>3.3.1</b>	SPI - serial peripheral interface .....	9
<b>3.3.2</b>	I <sup>2</sup> C - inter-IC control interface .....	10
<b>3.4</b>	Absolute maximum ratings .....	11
<b>4</b>	<b>Functionality</b> .....	<b>12</b>
<b>4.1</b>	Sensing element .....	12
<b>4.2</b>	IC interface .....	12
<b>4.3</b>	Factory calibration .....	12
<b>4.4</b>	Interpreting pressure readings .....	13
<b>4.5</b>	Interpreting temperature readings .....	14
<b>5</b>	<b>FIFO</b> .....	<b>15</b>
<b>5.1</b>	Bypass mode .....	16
<b>5.2</b>	FIFO mode .....	17
<b>5.3</b>	Continuous (dynamic-stream) mode .....	18
<b>5.4</b>	Bypass-to-FIFO mode .....	19
<b>5.5</b>	Bypass-to-continuous (dynamic-stream) mode .....	20
<b>5.6</b>	Continuous (dynamic-stream)-to-FIFO mode .....	21
<b>5.7</b>	Retrieving data from FIFO .....	21
<b>6</b>	<b>Application hints</b> .....	<b>22</b>
<b>6.1</b>	Analog hub (AH) / Qvar functions .....	24
<b>6.2</b>	Power-saving tip for the pressure sensor, disabling the analog hub (AH) / Qvar feature ...	24
<b>6.3</b>	Soldering information .....	24
<b>7</b>	<b>Digital interfaces</b> .....	<b>25</b>
<b>7.1</b>	Serial interfaces .....	25

<b>7.2</b>	I <sup>2</sup> C serial interface (CS = high) .....	25
<b>7.2.1</b>	I <sup>2</sup> C operation .....	26
<b>7.3</b>	SPI bus interface (CS = low) .....	28
<b>7.3.1</b>	SPI write in 3-wire mode .....	29
<b>7.3.2</b>	SPI read in 3-wire mode .....	30
<b>7.4</b>	MIPI I3C <sup>SM</sup> slave interface .....	31
<b>7.4.1</b>	MIPI I3C <sup>SM</sup> CCC supported commands .....	31
<b>7.5</b>	Overview of anti-spike filter management .....	32
<b>8</b>	<b>Register mapping</b> .....	<b>33</b>
<b>9</b>	<b>Register description</b> .....	<b>35</b>
<b>9.1</b>	INTERRUPT_CFG (0Bh) .....	35
<b>9.2</b>	THS_P_L (0Ch) .....	36
<b>9.3</b>	THS_P_H (0Dh) .....	37
<b>9.4</b>	IF_CTRL (0Eh) .....	37
<b>9.5</b>	WHO_AM_I (0Fh) .....	37
<b>9.6</b>	CTRL_REG1 (10h) .....	38
<b>9.7</b>	CTRL_REG2 (11h) .....	41
<b>9.8</b>	CTRL_REG3 (12h) .....	42
<b>9.9</b>	FIFO_CTRL (14h) .....	42
<b>9.10</b>	FIFO_WTM (15h) .....	43
<b>9.11</b>	REF_P_L (16h) .....	43
<b>9.12</b>	REF_P_H (17h) .....	43
<b>9.13</b>	I3C_IF_CTRL_ADD (19h) .....	44
<b>9.14</b>	RPDS_L (1Ah) .....	44
<b>9.15</b>	RPDS_H (1Bh) .....	45
<b>9.16</b>	INT_SOURCE (24h) .....	45
<b>9.17</b>	FIFO_STATUS1 (25h) .....	45
<b>9.18</b>	FIFO_STATUS2 (26h) .....	46
<b>9.19</b>	STATUS (27h) .....	46
<b>9.20</b>	PRESS_OUT_XL (28h) .....	47
<b>9.21</b>	PRESS_OUT_L (29h) .....	47

---

9.22	PRESS_OUT_H (2Ah) .....	47
9.23	TEMP_OUT_L (2Bh) .....	47
9.24	TEMP_OUT_H (2Ch) .....	48
9.25	FIFO_DATA_OUT_PRESS_XL (78h).....	48
9.26	FIFO_DATA_OUT_PRESS_L (79h) .....	48
9.27	FIFO_DATA_OUT_PRESS_H (7Ah).....	48
<b>10</b>	<b>Package information.....</b>	<b>49</b>
10.1	HLGA-10L package information .....	49
10.2	HLGA-10L packing information .....	50
	<b>Revision history .....</b>	<b>52</b>
	<b>Contents .....</b>	<b>53</b>
	<b>List of tables .....</b>	<b>56</b>
	<b>List of figures.....</b>	<b>57</b>

## List of tables

<b>Table 1.</b>	Pin description . . . . .	4
<b>Table 2.</b>	Pressure and temperature sensor characteristics . . . . .	5
<b>Table 3.</b>	Absolute pressure accuracy at different full-scale modes . . . . .	6
<b>Table 4.</b>	Electrical characteristics - pressure and temperature . . . . .	7
<b>Table 5.</b>	Electrical parameters of Qvar (@Vdd = 1.8 V, T = 25 °C) . . . . .	7
<b>Table 6.</b>	Input impedance of Qvar . . . . .	7
<b>Table 7.</b>	DC characteristics . . . . .	8
<b>Table 8.</b>	SPI slave timing values . . . . .	9
<b>Table 9.</b>	I <sup>2</sup> C slave timing values . . . . .	10
<b>Table 10.</b>	Absolute maximum ratings . . . . .	11
<b>Table 11.</b>	Serial interface pin description . . . . .	25
<b>Table 12.</b>	I <sup>2</sup> C terminology . . . . .	25
<b>Table 13.</b>	SAD+read/write patterns . . . . .	26
<b>Table 14.</b>	Transfer when master is writing one byte to slave . . . . .	26
<b>Table 15.</b>	Transfer when master is writing multiple bytes to slave . . . . .	26
<b>Table 16.</b>	Transfer when master is receiving (reading) one byte of data from slave . . . . .	26
<b>Table 17.</b>	Transfer when master is receiving (reading) multiple bytes of data from slave . . . . .	26
<b>Table 18.</b>	MIPI I3C <sup>SM</sup> CCC commands . . . . .	31
<b>Table 19.</b>	Registers address map . . . . .	33
<b>Table 20.</b>	Output data rate bit configurations . . . . .	38
<b>Table 21.</b>	Averaging selection . . . . .	38
<b>Table 22.</b>	Power consumption for pressure acquisition . . . . .	39
<b>Table 23.</b>	Power consumption for Qvar acquisition . . . . .	39
<b>Table 24.</b>	Noise performance of pressure . . . . .	39
<b>Table 25.</b>	FIFO mode selection . . . . .	42
<b>Table 26.</b>	Reel dimensions for carrier tape of HLGA-10L package . . . . .	51
<b>Table 27.</b>	Document revision history . . . . .	52



## List of figures

<b>Figure 1.</b>	Device architecture block diagram . . . . .	3
<b>Figure 2.</b>	Digital logic . . . . .	3
<b>Figure 3.</b>	Pin connections (bottom view) . . . . .	4
<b>Figure 4.</b>	SPI slave timing diagram . . . . .	9
<b>Figure 5.</b>	I <sup>2</sup> C slave timing diagram . . . . .	10
<b>Figure 6.</b>	Pressure readings. . . . .	13
<b>Figure 7.</b>	Temperature readings . . . . .	14
<b>Figure 8.</b>	Bypass mode . . . . .	16
<b>Figure 9.</b>	FIFO mode . . . . .	17
<b>Figure 10.</b>	Continuous (Dynamic-Stream) mode . . . . .	18
<b>Figure 11.</b>	Bypass-to-FIFO mode . . . . .	19
<b>Figure 12.</b>	Bypass-to-continuous (dynamic-stream) mode . . . . .	20
<b>Figure 13.</b>	Continuous (dynamic-stream)-to-FIFO mode . . . . .	21
<b>Figure 14.</b>	ILPS22QS electrical connections (top view) . . . . .	22
<b>Figure 15.</b>	AH (analog hub) / Qvar external connections to pin 5, pin 7 . . . . .	22
<b>Figure 16.</b>	ILPS22QS power-off sequence . . . . .	23
<b>Figure 17.</b>	SPI read protocol . . . . .	28
<b>Figure 18.</b>	Multiple byte SPI read protocol (2-byte example). . . . .	28
<b>Figure 19.</b>	SPI write protocol . . . . .	29
<b>Figure 20.</b>	Multiple byte SPI write protocol (2-byte example) . . . . .	29
<b>Figure 21.</b>	SPI read protocol in 3-wire mode . . . . .	30
<b>Figure 22.</b>	“Threshold-based” interrupt event . . . . .	36
<b>Figure 23.</b>	One-point calibration . . . . .	44
<b>Figure 24.</b>	HLGA-10L (2.0 x 2.0 x 0.73 mm typ.) package outline and mechanical dimensions . . . . .	49
<b>Figure 25.</b>	Carrier tape information for HLGA-10L package . . . . .	50
<b>Figure 26.</b>	HLGA-10L package orientation in carrier tape. . . . .	50
<b>Figure 27.</b>	Reel information for carrier tape of HLGA-10L package . . . . .	51

**IMPORTANT NOTICE – PLEASE READ CAREFULLY**

STMicroelectronics NV and its subsidiaries (“ST”) reserve the right to make changes, corrections, enhancements, modifications, and improvements to ST products and/or to this document at any time without notice. Purchasers should obtain the latest relevant information on ST products before placing orders. ST products are sold pursuant to ST’s terms and conditions of sale in place at the time of order acknowledgement.

Purchasers are solely responsible for the choice, selection, and use of ST products and ST assumes no liability for application assistance or the design of Purchasers’ products.

No license, express or implied, to any intellectual property right is granted by ST herein.

Resale of ST products with provisions different from the information set forth herein shall void any warranty granted by ST for such product.

ST and the ST logo are trademarks of ST. For additional information about ST trademarks, please refer to [www.st.com/trademarks](http://www.st.com/trademarks). All other product or service names are the property of their respective owners.

Information in this document supersedes and replaces information previously supplied in any prior versions of this document.

© 2021 STMicroelectronics – All rights reserved