

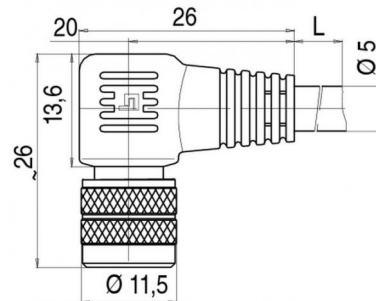
Product Area Female angled connector moulded, screw version, M8 x 1, shielded M8 connectors serie 718

Pole 3
Article number 79 3508 52 03

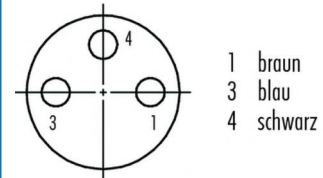
illustration



scale drawing



Contact Arrangement



Technical data

Common values

Connector Design	Female cable connector
Connector locking system	Screw-locking
Termination	crimp, overmoulded on cable
Wire gauge (mm)	0,25 mm ²
Wire gauge (AWG)	24
Upper temperature	+85 °C
Lower temperature	-25 °C

Electrical values

Rated voltage	60 V
Rated impulse voltage	800 V
Pollution degree	3
Overvoltage category	II
Material group	II
Rated current (40 °C)	4 A
Volume resistivity	≤ 3 mΩ
Degree of protection	IP 67
Mechanical operation	>100 mating cycles

Material

Material of contact	CuZn (brass)
Contact plating	Au (gold)
Material of contact body	PUR
Material of housing	PUR

Cable data

material housing	PUR
insulation single lead	PVC
single lead structure	32 x 0,1
cable sheath Ø	4.5
conductor resistance	72Ω/Km

Contacts 3, cable: 2 m, 3 x 0,25 PUR, Male angled connector moulded, screw version, M8 x 1, shielded