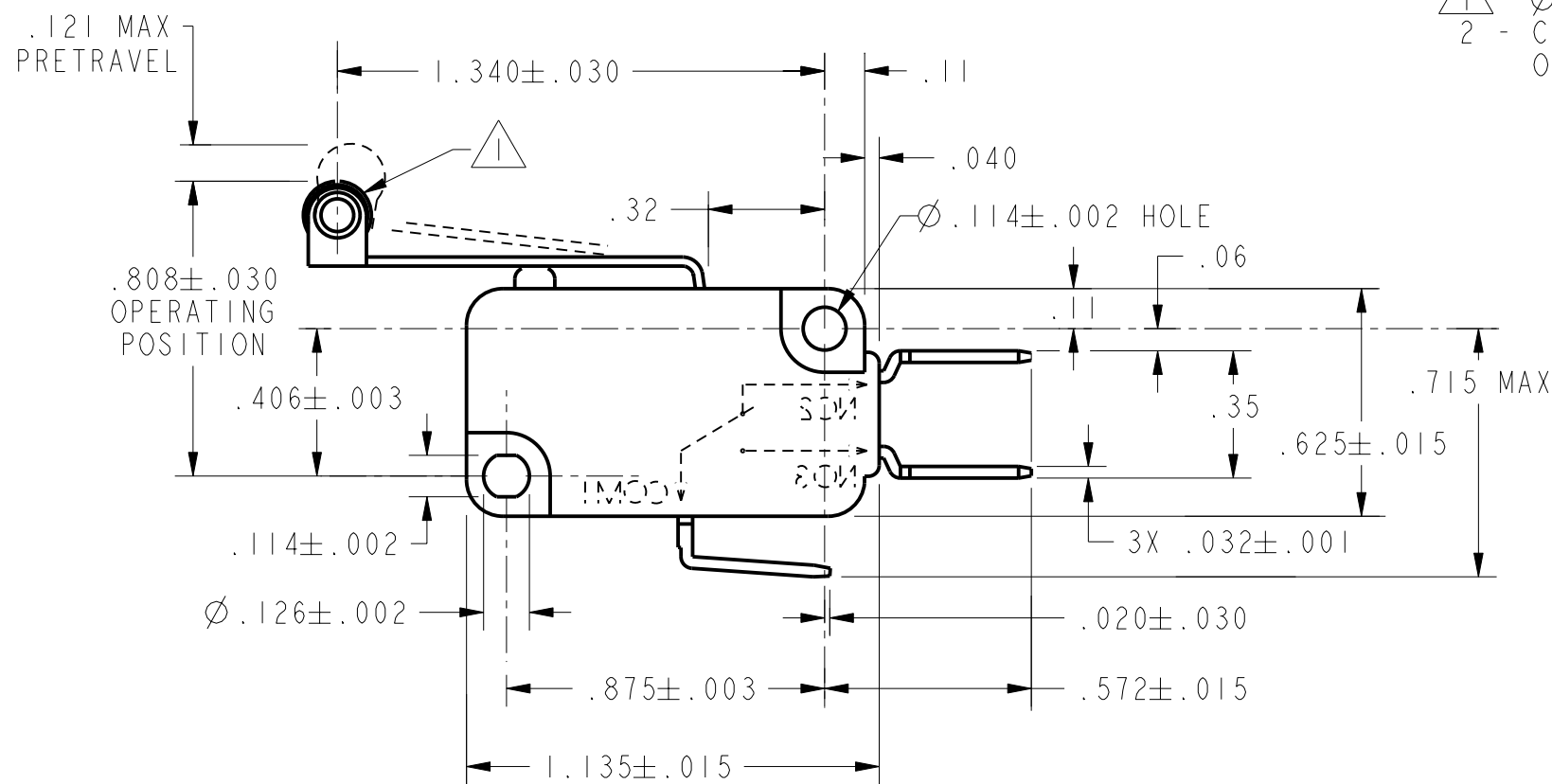
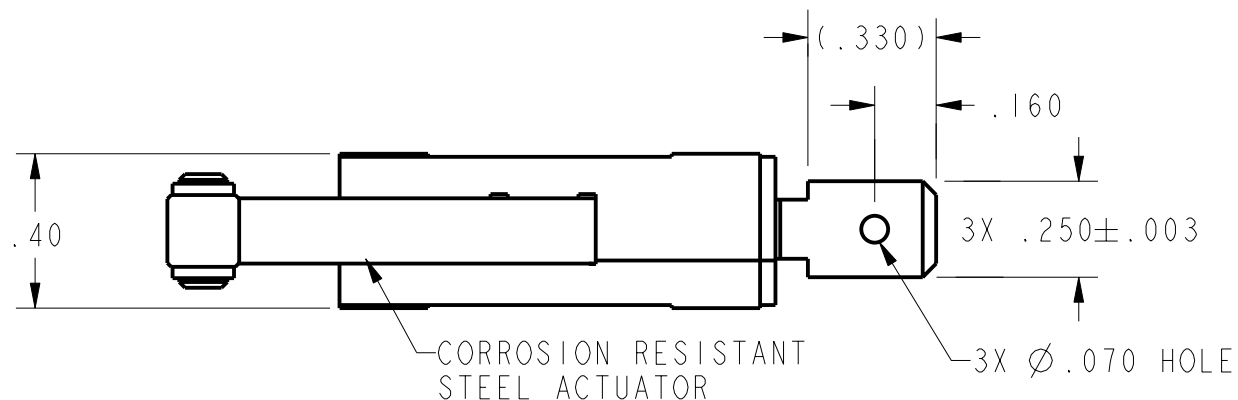




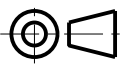
REV	DOCUMENT	CHANGED BY	CHECK
6	202161	TSM 21JAN01	SAV
7	207439	TSM 13FEB03	SAV



NOTES
 1 - Ø.19 X .19 WIDE OIL BRONZE ROLLER (CONCENTRICITY .005 FIM)
 2 - CAUTION: OVERTRAVEL FORCE ON LEVER MUST NOT RESULT IN AN OVERTRAVEL FORCE ON PLUNGER EXCEEDING 5 POUNDS

CHARACTERISTICS	
OPERATING FORCE	-----100 GRAMS MAX
RELEASE FORCE	----- 7 GRAMS MIN
DIFFERENTIAL TRAVEL	----- .030 MAX
OVERTRAVEL	----- .065 MIN
RELEASE TRAVEL	----- .016 MIN

ELECTRICAL DATA	
CONTACT ARRANGEMENT S P D T	
21A 1HP 125, 250, 277 VAC 2HP 250, 277 VAC	
 	

UNLESS OTHERWISE SPECIFIED TOLERANCES ARE:			
	<input checked="" type="checkbox"/> US (inch) CUSTOMARY	<input type="checkbox"/> SI (mm) METRIC	
NO PLACE	X	±.040	±1
ONE PLACE	.X	±.030	±0,4
TWO PLACE	.XX	±.015	±0,15
THREE PLACE	.XXX	±.005	±
ANGLES		±	±
RAW MATERIAL-COMMERCIAL STANDARD			
THIRD ANGLE PROJECTION			
			

DRAWN	TSM	21JAN01
CHECK	SAV	21JAN01
THIS DRAWING COVERS A PROPRIETARY ITEM AND IS THE PROPERTY OF HONEYWELL. THIS DRAWING IS NOT TO BE COPIED OR USED WITHOUT THE PERMISSION OF HONEYWELL.		
DIMENSIONS ARE TO BE MET BEFORE PROTECTIVE COATINGS ARE APPLIED		
PTC 2D	ASME Y14.5M-1994	

Honeywell			
TITLE SWITCH, BASIC			
SIZE	DWG TYPE	DRAWING NAME	REV
B	I	V7-1V19E9-207	7
SCALE 2 : 1		WEIGHT	SHEET 1 OF 1