

**RoHS
Compliant**

Specification:

Mechanical

Operation Force : 100 ± 50gf TL(L)(M)-61
 160 ± 50gf TL(L)(M)-62
 260 ± 50gf TL(L)(M)-63

Stroke : 0.2 + / - 0.1mm

Operation Temperature : -25°C to +70°C

Storage Temperature : -30°C to +80°C

Electrical

Electrical Life : 200,000 cycles Min. for TL(L)(M)-61,62,63

Rating : 50mA, 12V DC

Contact Resistance : 100mΩ Max.

Insulation Resistance : 100MΩ Min. 500V DC

Dielectric Strength : 250V AC/ minute

Contact Arrangement : 1 pole 1 throw

Material

Contact Disc : Stainless with silver cladding

Terminal : Brass with silver cladding

Base : Nylon High-temp. Thermoplastic

Colour : Black

Stem : Nylon High-temp. Thermoplastic

Colour : Black / TL(L)-61
 Brown / TL(L)-62
 White / TL(L)-63



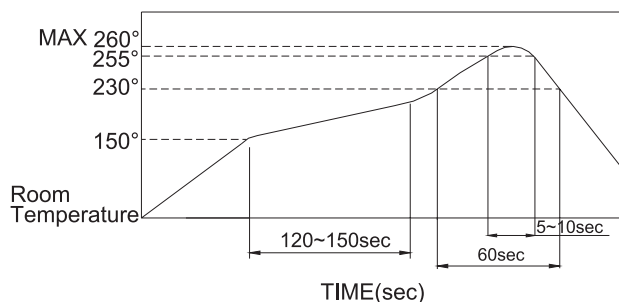
Soldering Process:

Wave Soldering: Recommended solder Temperature at 500°F(260°C) Max. 5 seconds. Subject to PBC 1.6mm thickness. (Soldering for through hole type)

Hand Soldering: Use a soldering iron of 30W, controlled at 350°C approximately Max. 5 seconds while applying solder.

Condition For Soldering: Reflow & non-washable type.

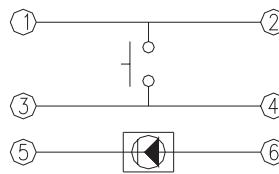
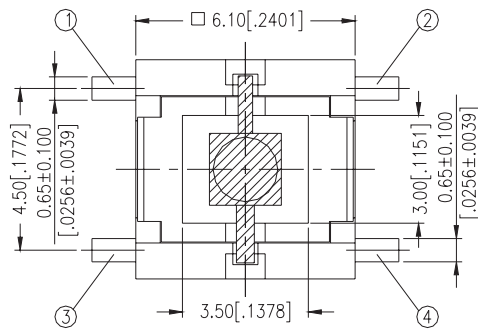
Temperature Profile:



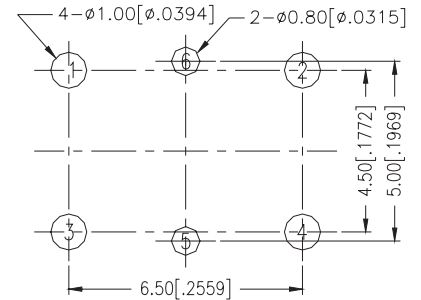
TL(L)-6 Series



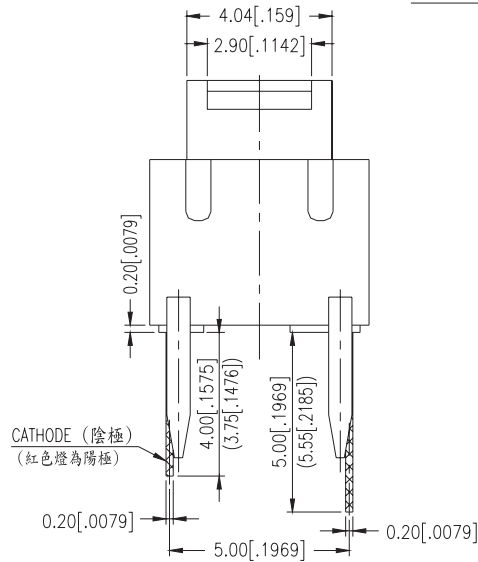
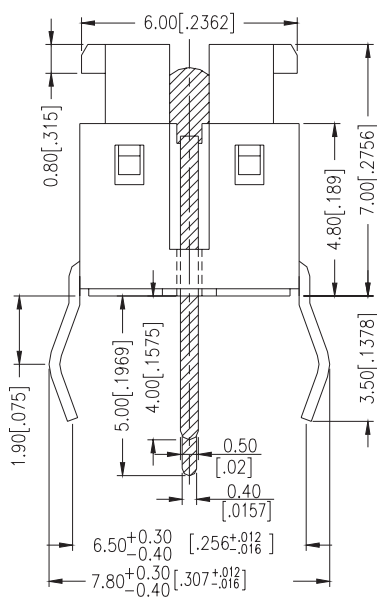
Dimensions:



CIRCUIT DIAGRAM



P.C.B. LAYOUT



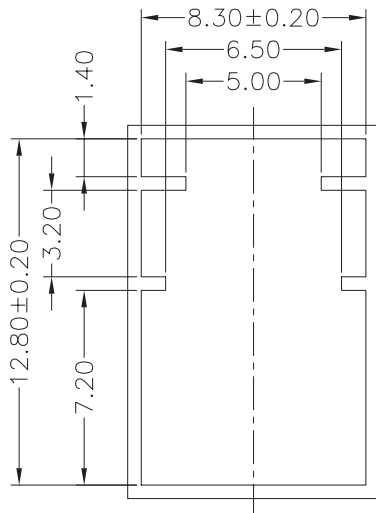
General Tolerance: $\pm 0.2\text{mm}$



TL(L)-6 Series



Packing:



General Tolerance: $\pm 0.2\text{mm}$

Part Number Table

Description	Part Number
Tactile Switch, Red LED	TLL-62BR
Tactile Switch, Yellow LED	TLL-62BY
Tactile Switch, Green LED	TLL-62BG

Important Notice : This data sheet and its contents (the "Information") belong to the members of the Premier Farnell group of companies (the "Group") or are licensed to it. No licence is granted for the use of it other than for information purposes in connection with the products to which it relates. No licence of any intellectual property rights is granted. The Information is subject to change without notice and replaces all data sheets previously supplied. The Information supplied is believed to be accurate but the Group assumes no responsibility for its accuracy or completeness, any error in or omission from it or for any use made of it. Users of this data sheet should check for themselves the Information and the suitability of the products for their purpose and not make any assumptions based on information included or omitted. Liability for loss or damage resulting from any reliance on the Information or use of it (including liability resulting from negligence or where the Group was aware of the possibility of such loss or damage arising) is excluded. This will not operate to limit or restrict the Group's liability for death or personal injury resulting from its negligence. Multicomp is the registered trademark of the Group. © Premier Farnell plc 2012.

www.element14.com
www.farnell.com
www.newark.com

