

LED Indicators

3mm Prominent or Recessed

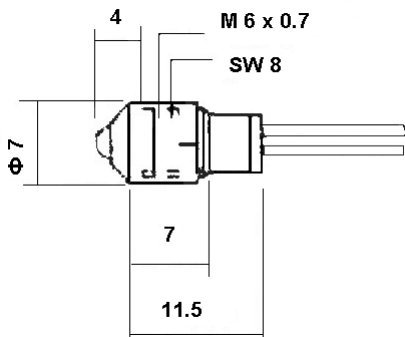


A range of panel mounting LED indicators in high quality bright chrome or black chrome plated brass housings. Fitted with fixing nut and washer.

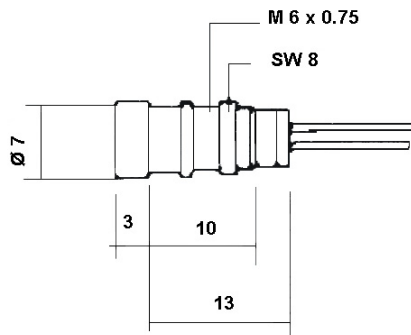
Bezel = 4 x 7 diameter (Prominent), 3 x 7 diameter (Recessed). Total L behind bezel = 11.5 (Prominent) 13.0 (Recessed).

Mounting hole diameter = 6. Shorter lead Cathode.

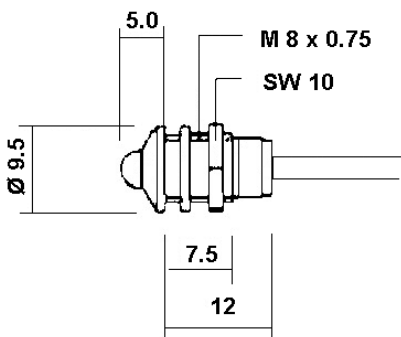
Drawing Number - A



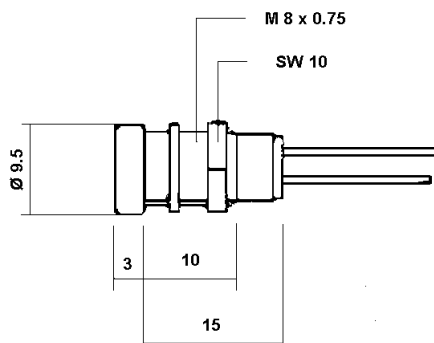
Drawing Number - B



Drawing Number - C



Drawing Number - D



LED Indicators

3mm Prominent or Recessed



Specifications

Colour	Typical Lumination Intensity (mcd) at $I_F = 20\text{mA}$	V_F (typical) (V)	I_F (maximum) (mA)	Refer Drawing	Part Number
HE Red	17.5	2.0-2.6	45	A	MC19020003
Green	27.0				MC19020001
Yellow	32.0		MC19020002		
Pure Orange	17.5		30		MC19020008
Blue	5.0	3.8-4.4	50		MC19020007
HE Red	15.0	2.0-2.6	45	B	MC19030003
Green	34.0				MC19030001
Yellow	28.0		MC19030002		
Pure Orange	15.0		30		MC19030008
Blue	6.0	3.8-4.4	50		MC19030007
HE Red	17.5	2.0-2.6	45	A	MC19021003
Green	27.0				MC19021001
Yellow	32.0		MC19021002		
Pure Orange	17.5		30		MC19021008
Blue	5.0	3.8-4.4	50		MC19021007
HE Red	15.0	2.0-2.6	45	B	MC19031003
Green	34.0				MC19031001
Yellow	28.0		MC19031002		
Pure Orange	15.0		30		MC19031008
Blue	6.0	3.8-4.4	50		MC19031007

Bezel = 5.0 x 9.5 diameter (Prominent), 3.0 x 9.5 (Recessed). Total L behind bezel = 12.0 (Prominent), 15.0 (Recessed).

Mounting hole diameter = 8.0, Shorter lead cathode.

LED Indicators

3mm Prominent or Recessed



Specifications

Colour	Typical Lumination Intensity (mcd) at $I_F = 20\text{mA}$	V_F (typical) (V)	I_F (maximum) (mA)	Refer Drawing	Part Number
HE Red	20.0	2.0-2.6	45	C	MC19040003
Green	25.0				MC19040001
Yellow			MC19040002		
Pure Orange	20.0		30		MC19040008
Blue	6.0		50		MC19040007
HE Red	27.0	2.0-2.6	45	D	MC19050003
Green	30.0				MC19050001
Yellow	27.0		MC19050002		
Pure Orange			30		MC19050008
Blue	7.0		50		MC1905007
HE Red	20.0	2.0-2.6	45	C	MC19041003
Green	25.0				MC19041001
Yellow			MC19041002		
Pure Orange	20.0		30		MC19041008
Blue	6.0		50		MC19041007
HE Red	27.0	2.0-2.6	45	D	MC19051003
Green	30.0				MC19051001
Yellow	27.0		MC19051002		
Pure Orange			30		MC19051008
Blue	7.0		50		MC19051007

Operating temperature (T_{OP}) : -55°C to +70°C.

Storage temperature (T_{STG}) : -55°C to +100°C.

The Led indicator is available in bright or black chrome reflector. The 7th digit has to be coded with 0 or 1.

Bright chrome = 0

Black chrome = 1

Example : MC19020001 Green with bright chrome.

MC19021000 Green with black chrome.

LED Indicators

3mm Prominent or Recessed



Notes:

International Sales Offices:



AUSTRALIA – Farnell InOne
Tel No: ++ 61 2 9645 8888
Fax No: ++ 61 2 9644 7898



FINLAND – Farnell InOne
Tel No: ++ 358 9 560 7780
Fax No: ++ 358 9 345 5411



NETHERLANDS – Farnell InOne
Tel No: ++ 31 30 241 7373
Fax No: ++ 31 30 241 7333



SWITZERLAND – Farnell InOne
Tel No: ++ 41 1 204 64 64
Fax No: ++ 41 1 204 64 54



AUSTRIA – Farnell InOne
Tel No: ++ 43 662 2180 680
Fax No: ++ 43 662 2180 670



FRANCE – Farnell InOne
Tel No: ++ 33 474 68 99 99
Fax No: ++ 33 474 68 99 90



NEW ZEALAND – Farnell InOne
Tel No: ++ 64 9 357 0646
Fax No: ++ 64 9 357 0656



UK – Farnell InOne
Tel No: ++ 44 8701 200 200
Fax No: ++ 44 8701 200 201



BELGIUM – Farnell InOne
Tel No: ++ 32 3 475 2810
Fax No: ++ 32 3 227 3648



GERMANY – Farnell InOne
Tel No: ++ 49 89 61 39 39 39
Fax No: ++ 49 89 613 59 01



NORWAY – Farnell InOne
Tel No: ++ 45 44 53 66 66
Fax No: ++ 45 44 53 66 02



UK – BuckHickman InOne
++ 44 8450 510 150
++ 44 8450 510 130



BRAZIL – Farnell-Newark InOne
Tel No: ++ 55 11 4066 9400
Fax No: ++ 55 11 4066 9410



HONG KONG – Farnell-Newark InOne
Tel No: ++ 852 2268 9888
Fax No: ++ 852 2268 9899



PORTUGAL – Farnell InOne
Tel No: ++ 34 93 475 8804
Fax No: ++ 34 93 474 5288



UK – CPC
++ 44 8701 202 530
++ 44 8701 202 531



CHINA – Farnell-Newark InOne
Tel No: ++86 10 6238 5152
Fax No: ++86 10 6238 5022



IRELAND – Farnell InOne
Tel No: ++ 353 1 830 9277
Fax No: ++ 353 1 830 9016



SINGAPORE – Farnell-Newark InOne
Tel No: ++ 65 6788 0200
Fax No: ++ 65 6788 0300



EXPORT – Farnell InOne
Tel No: ++ 44 8701 200 208
Fax No: ++ 44 8701 200 209

For enquiries from all other markets



DENMARK – Farnell InOne
Tel No: ++ 45 44 53 66 44
Fax No: ++ 45 44 53 66 06



ITALY – Farnell InOne
Tel No: ++ 39 02 93 995 200
Fax No: ++ 39 02 93 995 300



SPAIN – Farnell InOne
Tel No: ++ 34 93 475 8805
Fax No: ++ 34 93 474 5107



ESTONIA – Farnell InOne
Tel No: ++ 358 9 560 7780
Fax No: ++ 358 9 345 5411



MALAYSIA – Farnell-Newark InOne
Tel No: ++ 60 3 7873 8000
Fax No: ++ 60 3 7873 7000



SWEDEN – Farnell InOne
Tel No: ++ 46 8 730 50 00
Fax No: ++ 46 8 83 52 62

<http://www.farnellinone.com>

<http://www.buckhickmaninone.com>

<http://www.cpc.co.uk>

Disclaimer This data sheet and its contents (the "Information") belong to the Premier Farnell Group (the "Group") or are licensed to it. No licence is granted for the use of it other than for information purposes in connection with the products to which it relates. No licence of any intellectual property rights is granted. The Information is subject to change without notice and replaces all data sheets previously supplied. The Information supplied is believed to be accurate but the Group assumes no responsibility for its accuracy or completeness, any error in or omission from it or for any use made of it. Users of this data sheet should check for themselves the Information and the suitability of the products for their purpose and not make any assumptions based on information included or omitted. Liability for loss or damage resulting from any reliance on the Information or use of it (including liability resulting from negligence or where the Group was aware of the possibility of such loss or damage arising) is excluded. This will not operate to limit or restrict the Group's liability for death or personal injury resulting from its negligence. Multicomp is the registered trademark of the Group. © Premier Farnell plc 2004.

