



## Specifications

### Mechanical

Mechanical Life : 20,000 Steps  
 Operation Force : 200gf-cm max

### Environmental

Operation Temperature Range : -30°C to +80°C  
 Storage Temperature Range : -40°C to +85°C

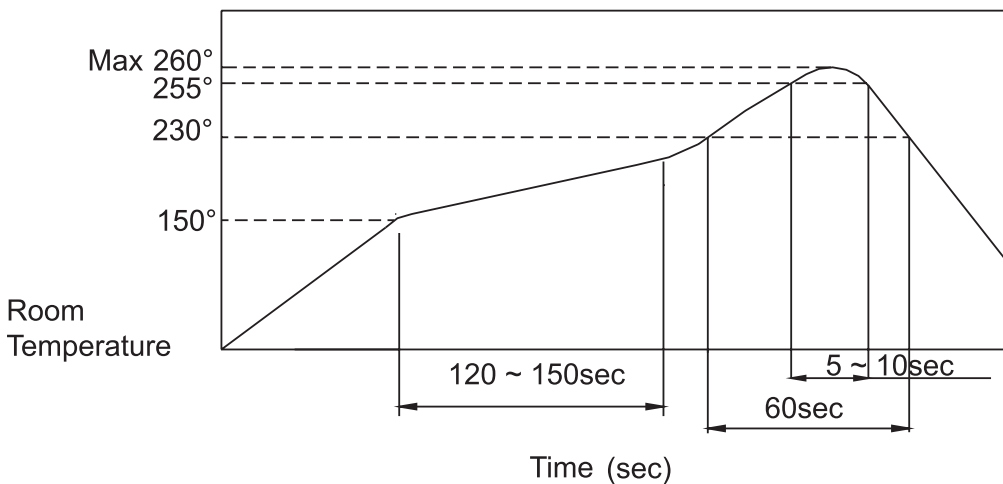
### Electrical

Electrical Life : 20,000 steps  
 Switching Rating : 25mA, 24V DC

## Material

Cover : Nickel Silver  
 Seal-1 : Silicon Rubber  
 Colour : Black, Square  
 Seal-2 : Silicone Rubber  
 Colour : Black, Square  
 Actuator : UL 94V-0 High-temp Thermoplastic  
 Block : Stainless Steel  
 Contact : Alloy Copper  
 Spring Plate : Piano Wire  
 Base : UL 94V-0 High-temp Thermoplastic  
 Colour : Black  
 Terminal : Brass with Gold Plated

## Temperature Profile

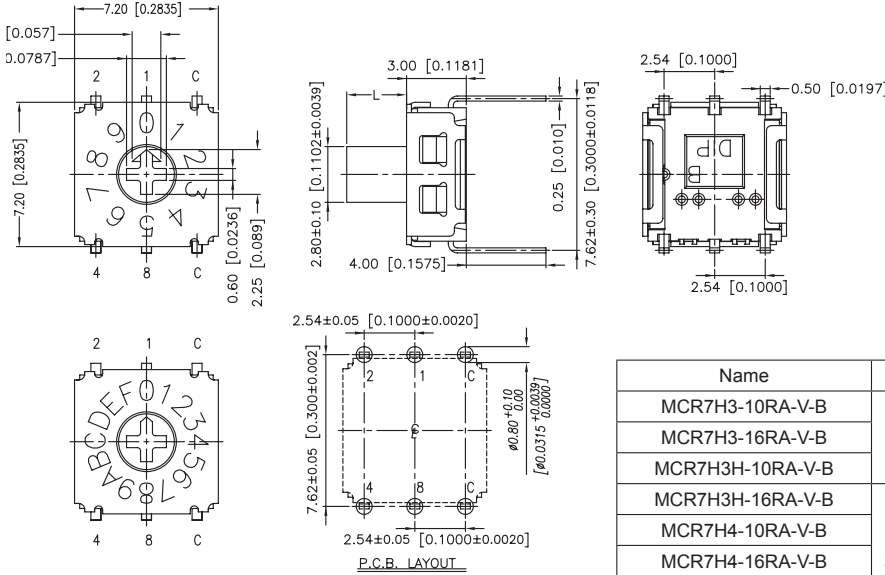


## Soldering process

Hand Soldering : Use a soldering iron of 30 watts, controlled at 350°C approximately 5 seconds while applying solder.  
 Reflow Soldering : When applying reflow soldering, the peak temperature or the reflow over should be set to 260°C max.

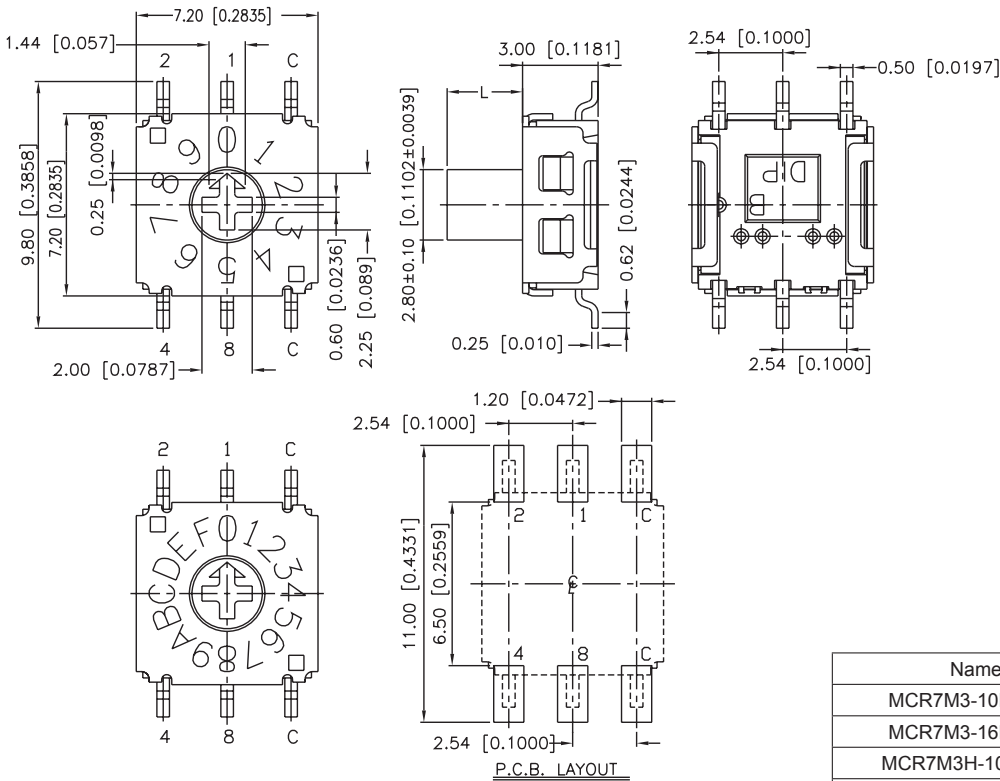
## Dimensions

### MCR7H3-RA



General Tolerance :  $\pm 0.2\text{mm}$

### MCR7M3-RA



General Tolerance :  $\pm 0.2\text{mm}$

## Circuit Chart

TYPE	POSITION	CODE			
		1	2	4	8
10 STEP	0	●	●	●	●
	1	○	●	●	●
	2	●	○	●	●
	3	○	○	●	●
	4	●	●	○	●
	5	○	●	○	●
	6	●	○	○	●
	7	○	○	○	●
	8	●	●	○	○
	9	○	●	●	○
16 STEP	A	●	○	●	○
	B	○	○	●	○
	C	●	●	○	○
	D	○	●	○	○
	E	●	○	○	○
	F	○	○	○	○

Name	H
MCR7H3-10RA-V-B	0
MCR7H3-16RA-V-B	0
MCR7H3H-10RA-V-B	3.00 [.1181]
MCR7H3H-16RA-V-B	
MCR7H4-10RA-V-B	
MCR7H4-16RA-V-B	
MCR7H4H-10RA-V-B	3.00 [.1181]
MCR7H4H-16RA-V-B	

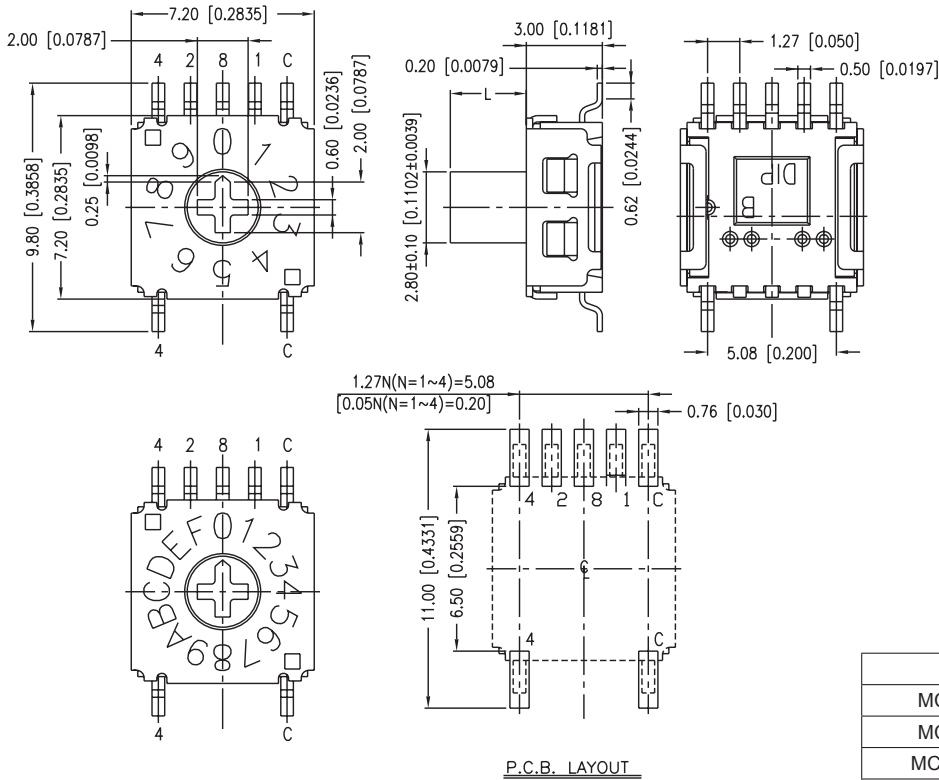
## Circuit Chart

TYPE	POSITION	CODE			
		1	2	4	8
10 STEP	0	●	●	●	●
	1	○	●	●	●
	2	●	○	●	●
	3	○	○	●	●
	4	●	●	○	●
	5	○	●	○	●
	6	●	○	○	●
	7	○	○	○	●
	8	●	●	○	○
	9	○	●	●	○
16 STEP	A	●	○	●	○
	B	○	○	●	○
	C	●	●	○	○
	D	○	●	○	○
	E	●	○	○	○
	F	○	○	○	○

Name	H
MCR7M3-10RA-V-B	0
MCR7M3-16RA-V-B	
MCR7M3H-10RA-V-B	3.00 [.1181]
MCR7M3H-16RA-V-B	

## Dimensions

### MCR7M4-RA



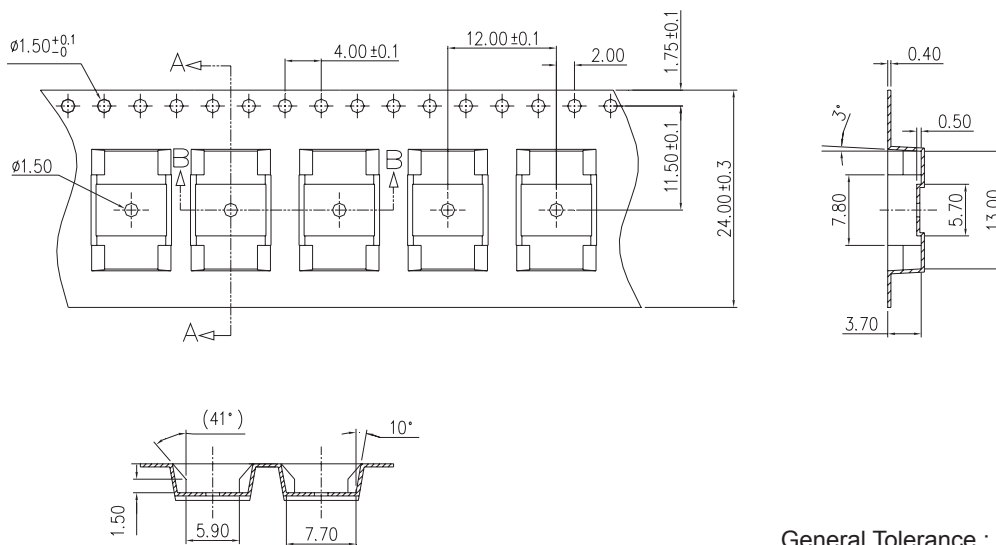
### Circuit Chart

TYPE	POSITION CIBR	CODE			
		1	2	4	8
10 STEP	0	●	●	●	●
	1	○	●	●	●
	2	●	○	●	●
	3	○	○	●	●
	4	●	●	○	●
	5	○	●	○	●
	6	●	○	○	●
	7	○	○	○	●
	8	●	●	●	○
	9	○	○	●	○
16 STEP	A	●	○	○	○
	B	○	○	●	○
	C	○	●	○	○
	D	○	●	○	○
	E	●	○	○	○
	F	○	○	○	○

Name	H
MCR7M4-10RA-V-B	H
MCR7M4-16RA-V-B	0
MCR7M4H-10RA-V-B	
MCR7M4H-16RA-V-B	3.00 [1.181]

General Tolerance : ± 0.2mm

### MCR7M-Reel

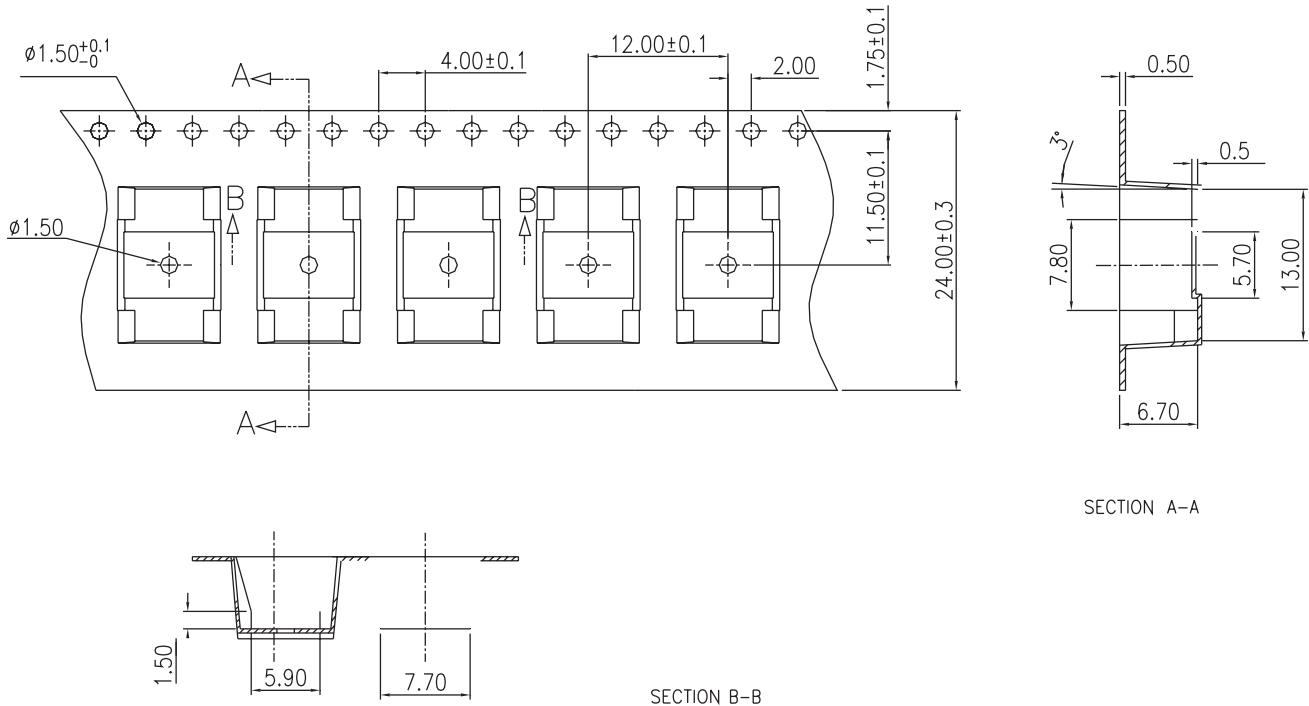


General Tolerance : ± 0.1mm

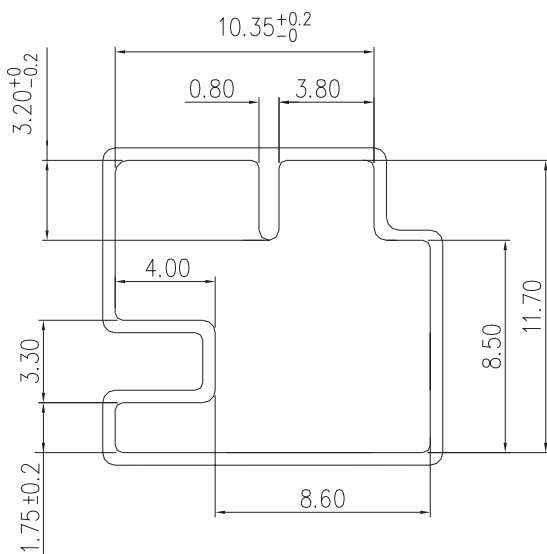
# MCR7 Series



## MCR7M-H Reel

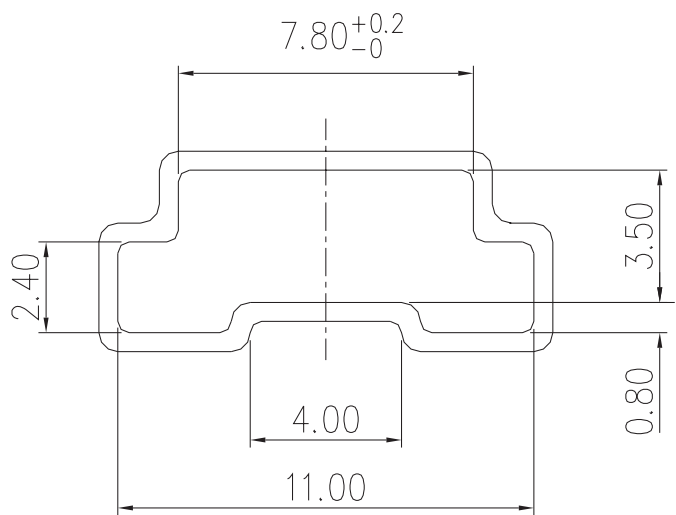


## MCR7V-H Tube



General Tolerance :  $\pm 0.2\text{mm}$  ( $\pm 0.008''$ )

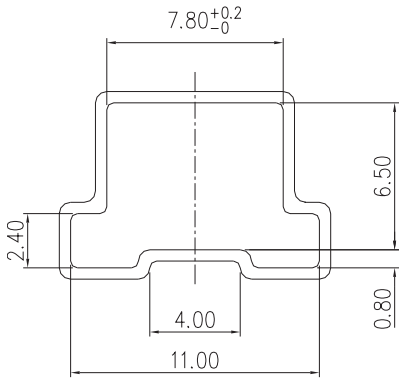
## MCR7M-Tube



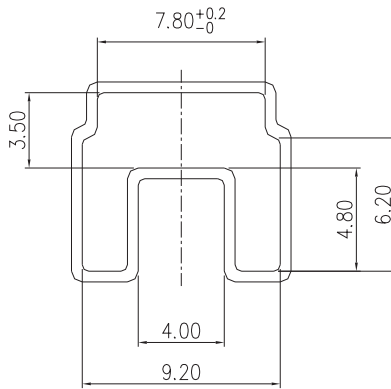
General Tolerance :  $\pm 0.2\text{mm}$  ( $\pm 0.008''$ )



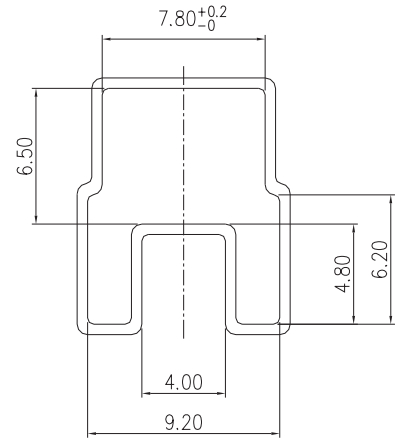
**MCR7M-H Tube**



**MCR7H-Tube**



**MCR7H-H Tube**



General Tolerance :  $\pm 0.2\text{mm}$  ( $\pm 0.008''$ )

## Part Number Table

Description	Part Number
Switch, Rotary, 7×7, 10 POS, 3×3	MCR7M3-10RA-V-B
Switch, Rotary, 7×7, 16 POS, 3×3	MCR7M3-16RA-V-B
Switch, Rotary, 7×7, 10 POS, 4×1	MCR7M4-10RA-V-B
Switch, Rotary, 7×7, 16 POS, 4×1	MCR7M4-16RA-V-B
Switch, Rotary, 7×7, 10 POS, 3×3	MCR7M3H-10RA-V-B
Switch, Rotary, 7×7, 16 POS, 3×3	MCR7M3H-16RA-V-B
Switch, Rotary, 7×7, 10 POS, 4×1	MCR7M4H-10RA-V-B
Switch, Rotary, 7×7, 16 POS, 4×1	MCR7M4H-16RA-V-B
Switch, Rotary, 7×7, 10 POS, 3×3	MCR7H3-10RA-V-B
Switch, Rotary, 7×7, 16 POS, 3×3	MCR7H3-16RA-V-B
Switch, Rotary, 7×7, 10 POS, 4×1	MCR7H4-10RA-V-B
Switch, Rotary, 7×7, 16 POS, 4×1	MCR7H4-16RA-V-B
Switch, Rotary, 7×7, 10 POS, 3×3	MCR7H3H-10RA-V-B
Switch, Rotary, 7×7, 16 POS, 3×3	MCR7H3H-16RA-V-B
Switch, Rotary, 7×7, 10 POS, 4×1	MCR7H4H-10RA-V-B
Switch, Rotary, 7×7, 16 POS, 4×1	MCR7H4H-16RA-V-B

**Important Notice :** This data sheet and its contents (the "Information") belong to the members of the Premier Farnell group of companies (the "Group") or are licensed to it. No licence is granted for the use of it other than for information purposes in connection with the products to which it relates. No licence of any intellectual property rights is granted. The Information is subject to change without notice and replaces all data sheets previously supplied. The Information supplied is believed to be accurate but the Group assumes no responsibility for its accuracy or completeness, any error in or omission from it or for any use made of it. Users of this data sheet should check for themselves the Information and the suitability of the products for their purpose and not make any assumptions based on information included or omitted. Liability for loss or damage resulting from any reliance on the Information or use of it (including liability resulting from negligence or where the Group was aware of the possibility of such loss or damage arising) is excluded. This will not operate to limit or restrict the Group's liability for death or personal injury resulting from its negligence. Multicomp is the registered trademark of the Group. © Premier Farnell plc 2012.