

4-6609089-8 ✓ ACTIVE

Corcom | Corcom WG

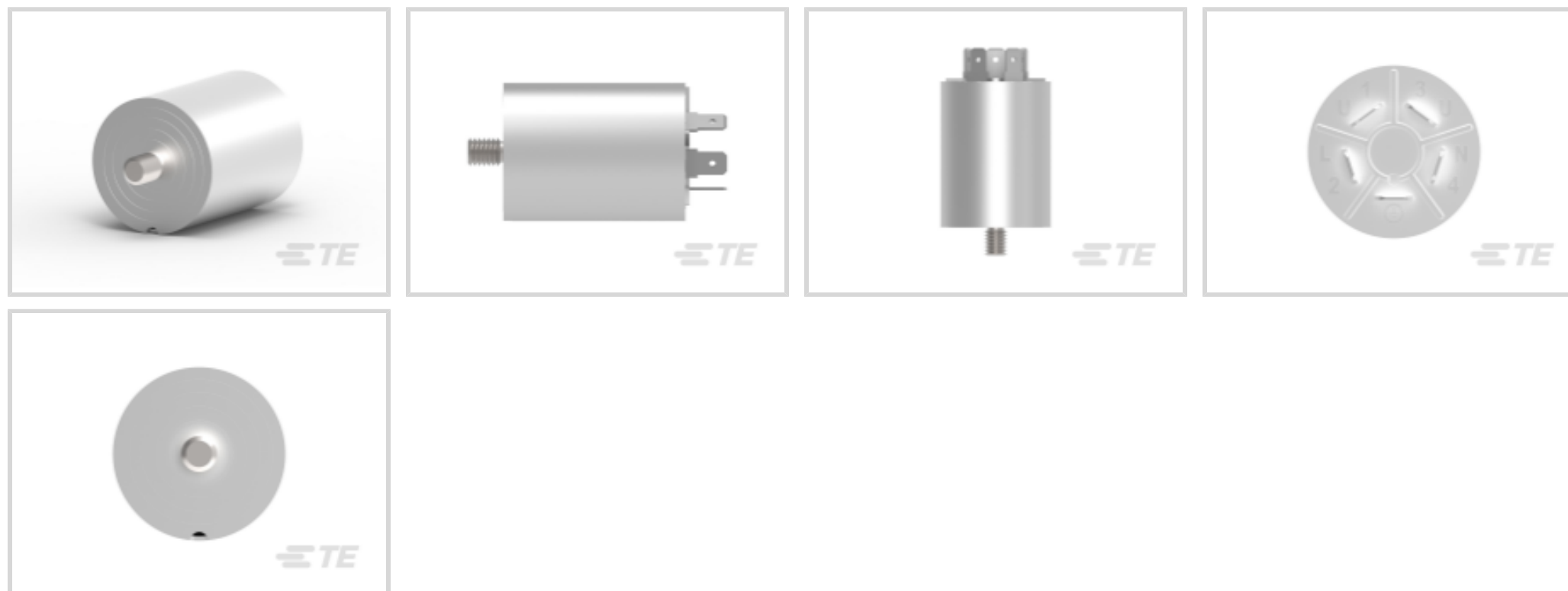
TE Internal #: 4-6609089-8

16A Current Rating, .250" FASTON Input, .250" FASTON Output,
Corcom WG, Single Phase Filters

[View on TE.com >](#)



EMI & EMC Solutions > EMI Filters > Power Line Filters > Single Phase Filters > Single Phase Filters, Corcom WG Series



Current Rating: **16 A**

Input Termination Type: **.250" FASTON**

Output Termination Type: **.250" FASTON**

Leakage Current (Max) (120VAC, 60Hz): **.1 mA**

Leakage Current (Max) (250VAC, 50Hz): **.2 mA**

[All Single Phase Filters, Corcom WG Series \(9\)](#)

Features

Product Type Features

Ground Choke Option	No
Filtering Requirements	Filtered
Input Termination Type	.250" FASTON
Output Termination Type	.250" FASTON

Electrical Characteristics

Operating Voltage	250 VAC
Current Rating	16 A
Leakage Current (Max) (120VAC, 60Hz)	.1 mA
Leakage Current (Max) (250VAC, 50Hz)	.2 mA

Mechanical Attachment

Product Mount Type	Panel
--------------------	-------

Usage Conditions

Operating Temperature Range	-10 – 40 °C
-----------------------------	-------------



Product Compliance

[For compliance documentation, visit the product page on TE.com>](#)

EU RoHS Directive 2011/65/EU	Compliant
EU ELV Directive 2000/53/EC	Compliant
China RoHS 2 Directive MIIT Order No 32, 2016	No Restricted Materials Above Threshold
EU REACH Regulation (EC) No. 1907/2006	Current ECHA Candidate List: JUNE 2024 (241) Candidate List Declared Against: JUNE 2022 (224) Does not contain REACH SVHC
Halogen Content	Not Low Halogen - contains Br or Cl > 900 ppm.
Solder Process Capability	Not reviewed for solder process capability

Product Compliance Disclaimer

This information is provided based on reasonable inquiry of our suppliers and represents our current actual knowledge based on the information they provided. This information is subject to change. The part numbers that TE has identified as EU RoHS compliant have a maximum concentration of 0.1% by weight in homogenous materials for lead, hexavalent chromium, mercury, PBB, PBDE, DBP, BBP, DEHP, DIBP, and 0.01% for cadmium, or qualify for an exemption to these limits as defined in the Annexes of Directive 2011/65/EU (RoHS2). Finished electrical and electronic equipment products will be CE marked as required by Directive 2011/65/EU. Components may not be CE marked. Additionally, the part numbers that TE has identified as EU ELV compliant have a maximum concentration of 0.1% by weight in homogenous materials for lead, hexavalent chromium, and mercury, and 0.01% for cadmium, or qualify for an exemption to these limits as defined in the Annexes of Directive 2000/53/EC (ELV). Regarding the REACH Regulation, the information TE provides on SVHC in articles for this part number is based on the latest European Chemicals Agency (ECHA) 'Guidance on requirements for substances in articles' posted at this URL: <https://echa.europa.eu/guidance-documents/guidance-on-reach>

Compatible Parts



Also in the Series | Corcom WG

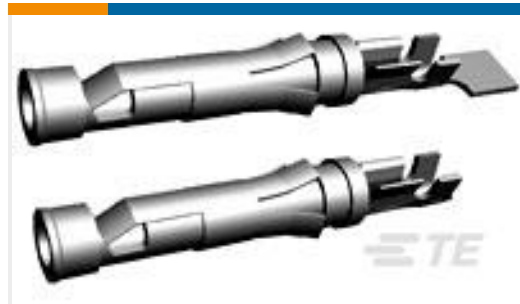


Single Phase Filters(9)

Customers Also Bought



TE Part #8-1393211-4
T92S11A22-120



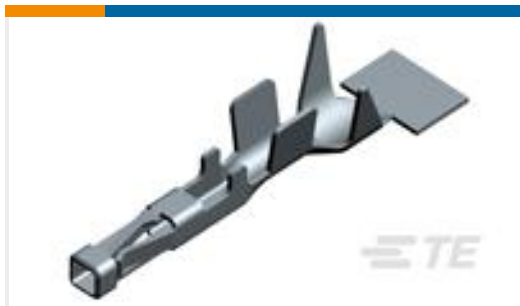
TE Part #1-66360-6
III+SKT,18-14,TIN STRIP LP



TE Part #3-1393250-0
W28-XQ1A-15=W28-



TE Part #1-794617-8
18POS,MICRO MNL,RCPT HSG



TE Part #2008625-1
Socket Micro MNL, TIN 22-18 AW



TE Part #1825910-3
FSM2JAH=6MM TACT SWITCH, HIGH TEMP



TE Part #53427-1
TERMINAL,PIDG PVF2 R 12-10



TE Part #364256-E
SRCBUG A 2,54 2 8 CSI 164 E1 ADV J 2 324



TE Part #364257-E
SRCBUG A 2,54 2 8 CSI 165 E1 ADV J 2 324

Documents

Product Drawings

[16WGF1=F4338E](#)

English

CAD Files

Customer View Model

[ENG_CVM_CVM_4-6609089-8_E1.3d_igs.zip](#)

English

Customer View Model



[ENG_CVM_CVM_4-6609089-8_E1.3d_stp.zip](#)

English

Customer View Model

[ENG_CVM_CVM_4-6609089-8_E1.2d_dxf.zip](#)

English

3D PDF

3D

By downloading the CAD file I accept and agree to the [Terms and Conditions](#) of use.

Datasheets & Catalog Pages

[1654001_CORCOM_PRODUCT_GUIDE_WG_SERIES](#)

English

Corcom Combined Selector Charts

English

[1-1654250-1_CORCOM_EMI_RFI_QRG](#)

English