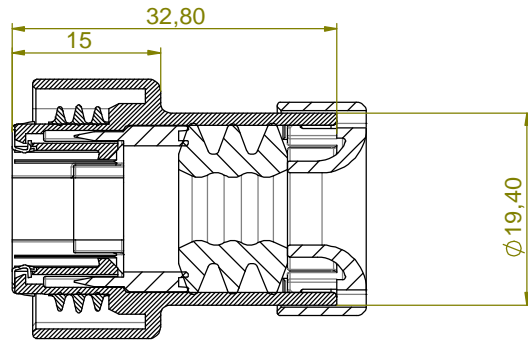
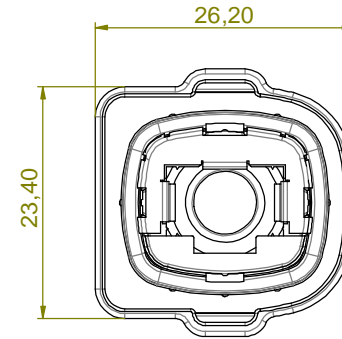
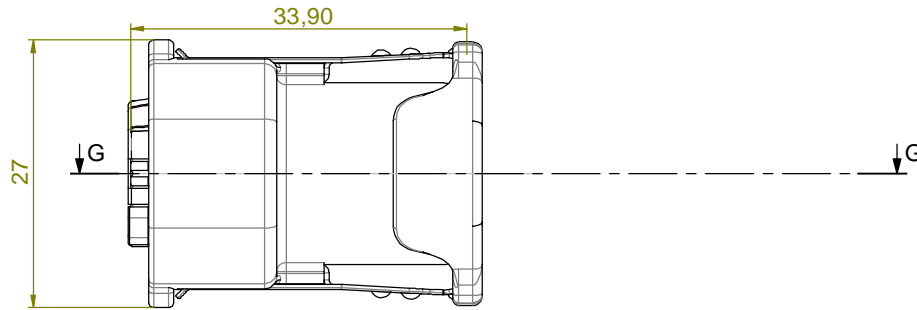
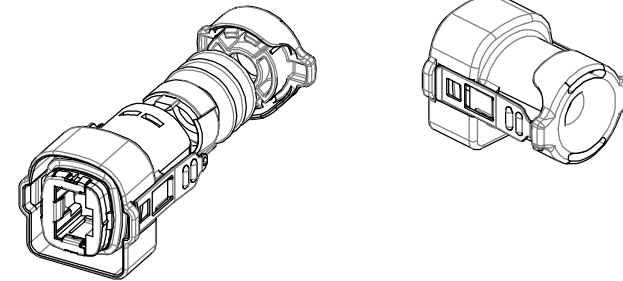
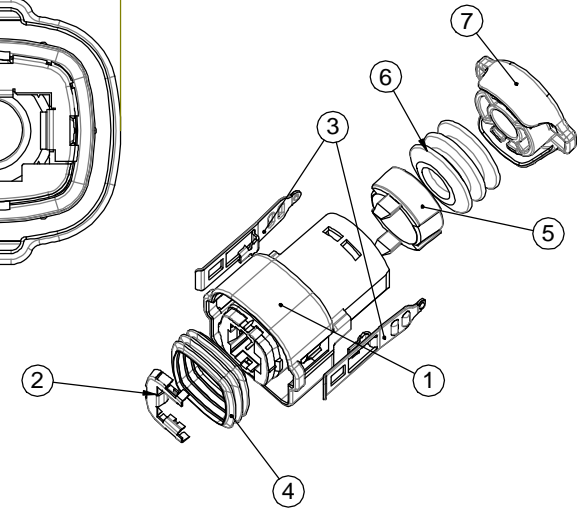


THE INFORMATION CONTAINED IN THIS DRAWING IS THE SOLE PROPERTY OF YAMAICHI ELECTRONICS DEUTSCHLAND GmbH. ANY REPRODUCTION IN PART OR WHOLE WITHOUT THE WRITTEN PERMISSION OF YAMAICHI ELECTRONICS DEUTSCHLAND GmbH IS PROHIBITED.

CONFIDENTIAL



SECTION G-G



ITEM NO.	QTY.	DESCRIPTION	Material
1	1	Griffschale RJ45plus blau Y-ConCover blue	PBT (Valox 420SE0)
2	1	Federblech RJ45plus Griffschale P(090)P01	Brass
3	2	Metal latch for Y-ConCover-xx new design	Stainless Steel (SUS304 or equivalent)
4	1	Radial Gasket Radialdichtung	FKM (Viton)
5	1	Stopper for Y-ConCover-10 / Plug	PC - Makrolon 2805 white
6	1	Y-ConAS-22 IP67 cable seal	FKM(Viton) black
7	1	Y-ConAS-23 Cover terminator blue for use with Y-ConCover- 10-*	PBT (Valox SE0420)

Specification/Drawing subject to alteration without prior notice

KUNDENFREIGABE / CUSTOMER APPROVAL

Firma / Company :

Unterschrift / Signature : _____ Datum / Date : _____

RoHS compliant acc. to directive 2002/95/EG

Unless otherwise specified :
Dimensions are in millimeters

REV.	REVISION DESCRIPTION	INITIALS	REV. DATE



Order / Article No. 82-00571

DO NOT SCALE DRAWING

CLASSIFICATION: IP67 cover - mounted blue for Y-ConPlug-xx

NOTES:

ANGLE PROJECTION:	DESIGN	NAME	DATE

TITLE: Y-CONCOVER-10-E

① FIRST

DWG NO.:

Customer-P(090)A538

REVISION:

0

WEIGHT:

SCALE: 2:1

SHEET 1 OF 1

A3 - ASSEMBLY

16.09.2011

Mouser Electronics

Authorized Distributor

Click to View Pricing, Inventory, Delivery & Lifecycle Information:

[Yamaichi Electronics:](#)

[Y-ConCover-10-E](#)