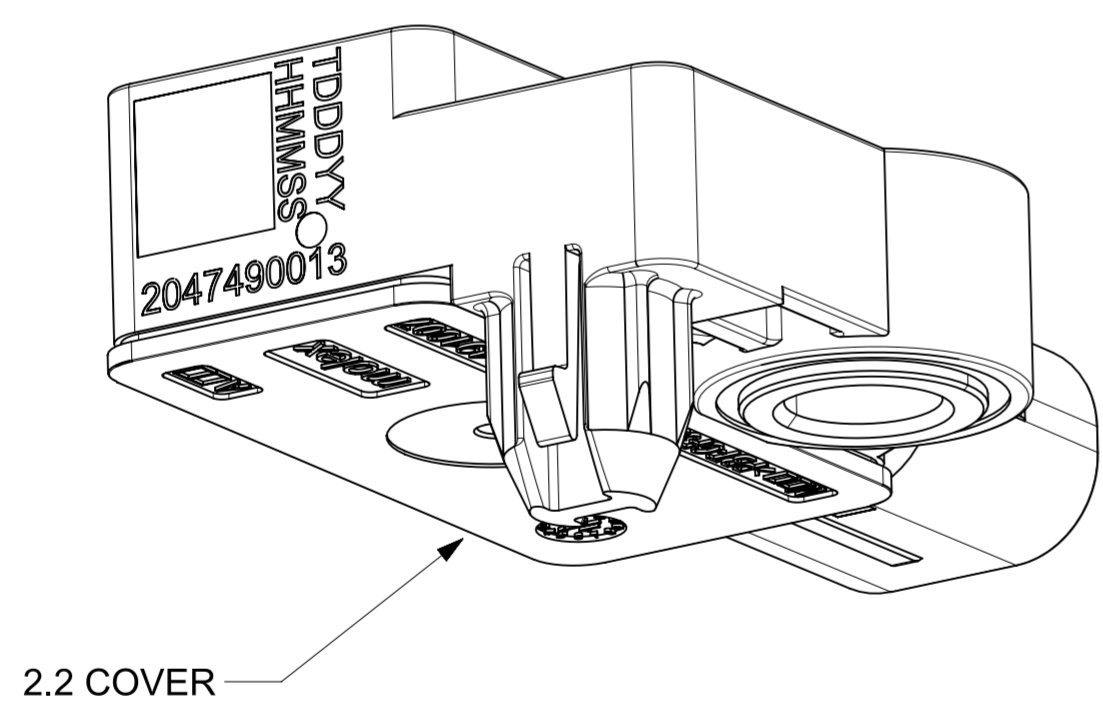
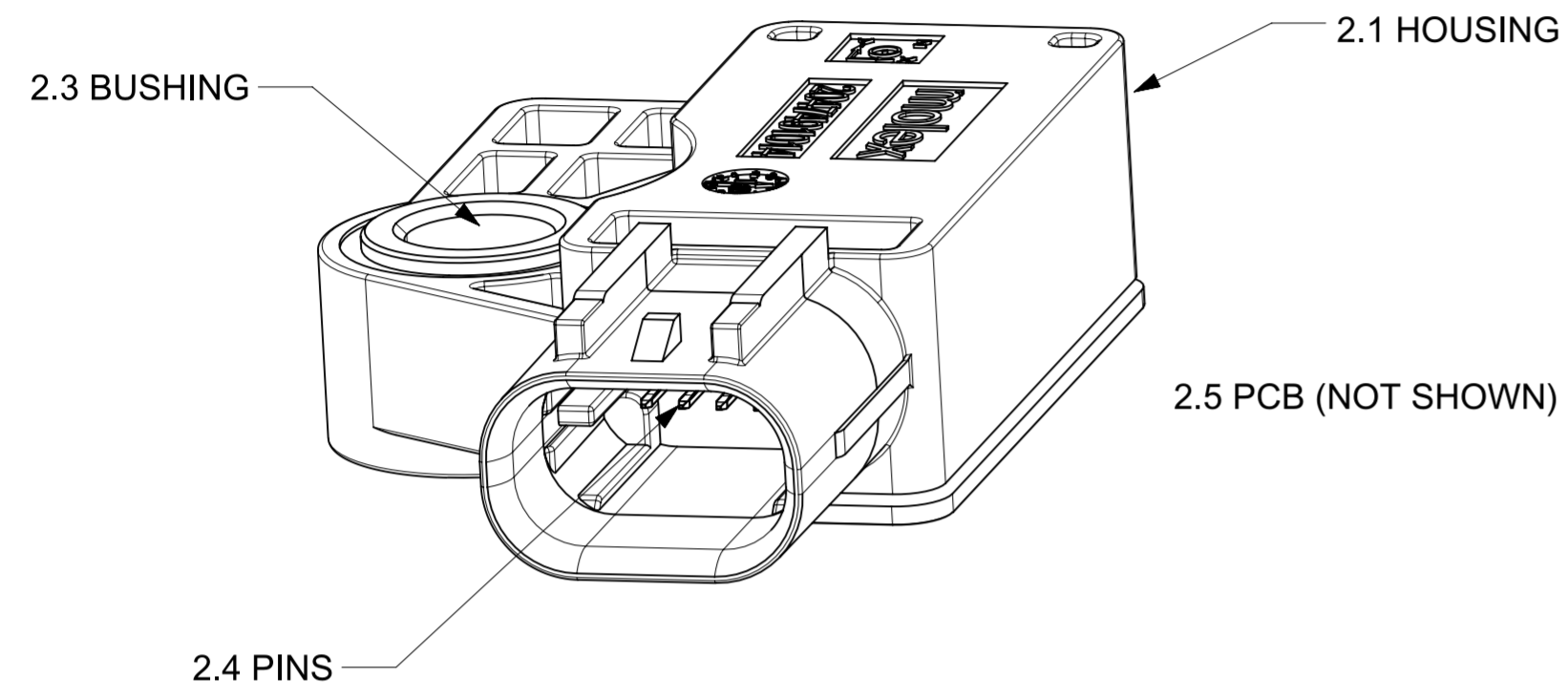


TABLE OF CONTENTS	
SHEET #	SHEET DESCRIPTION
1	NOTES, BOM TABLE AND TABLE OF CONTENTS
2	RNC SENSOR ASSEMBLY
3	RECOMMENDED PANEL LAYOUT



NOTES: VALID UNLESS OTHERWISE SPECIFIED

1. GENERAL:

- 1.1 APPLICATION SPECIFICATION SEE: 2047490000-AS
- 1.2 PRODUCT SPECIFICATION SEE: 2047490000-PS
- 1.3 PACKAGING SPECIFICATION PER MOLEX DRAWING: 2047490013-PK
- 1.4 MATES WITH PART # 349674001 KEY A MINI50 SEALED 1x4 CONNECTOR OR PART # 349674051 WITH CIRCUITS 1 AND 2 PLUGGED. SEE MOLEX DRAWING 349674000 PSD.
- 1.5 FOR USE WITH WIRE: 0.35 mm<sup>2</sup> UNSHIELDED JACKETED TWISTED CABLE WITH 100 OHM MATCHED IMPEDANCE, TWIST LAY LENGTH 20mm MIN TO 30mm MAX PER SAE-J3117 STANDARD.
- 1.6 MATING TERMINAL: MOLEX CTX50 SEALED, Ag PLATED. RECEPTACLE TERMINAL. SEE MOLEX DRAWING 349050400.
- 1.7 SENSOR DESIGNED TO BE SECURED TO PANEL WITH A M6 BOLT WITH FLAT WASHER ON TOP OF BUSHING. USE THE RECOMMENDED INSTALLATION TORQUE OF THE FASTENER SYSTEM BEING USED. TORQUE NOT TO EXCEED 20 N-m
- 1.8 CLEARANCE WITH CUSTOMER PANEL IS REQUIRED FOR WIRE DRESS COVER SEE SHEET 3.

2. DESIGN - MATERIAL AND PLATING

-SEE BOM TABLE

3. DESIGN - MANUFACTURING:

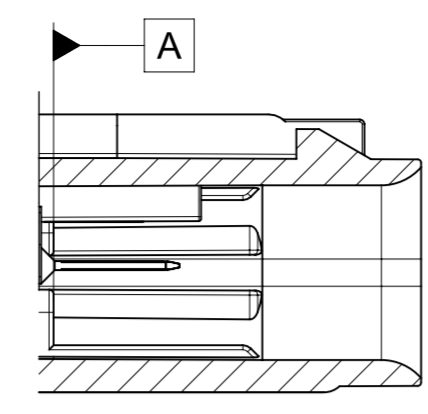
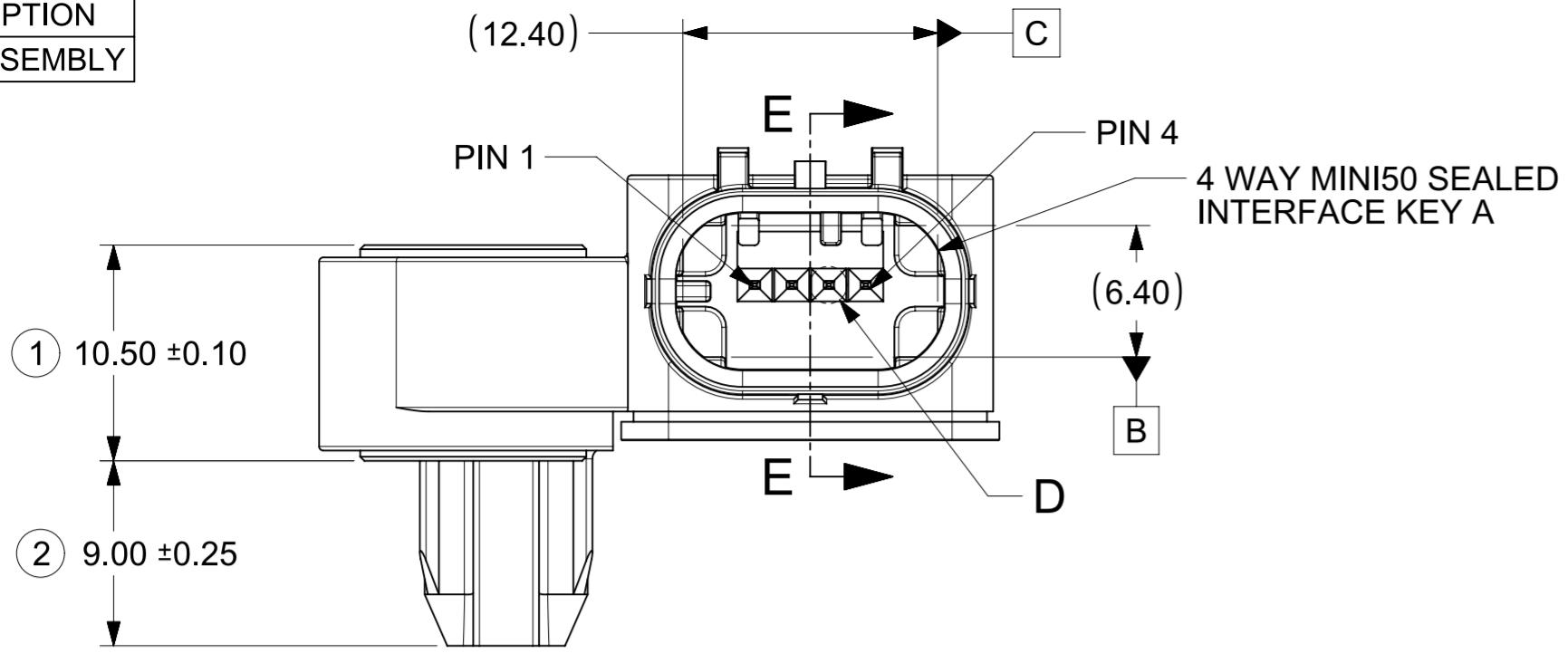
- 3.1 VISUAL DEFECTS SHALL MEET COSMETIC STANDARD PS-45499-002 (CLASS B). FOR VISUAL DEFECTS IN THE WELD ZONE REFER TO 2047490000-AS
- 3.2 ASSEMBLY LASER MARKED WITH 2D BAR CODE AND HUMAN READABLE NUMBERS PER PRODUCT SPECIFICATION: 2047490000-PS. 2D BAR CODE FORMAT DATA MATRIX ECC 200, 22 X 22 SYMBOL SIZE
- 3.3 FOR SILVER PLATING: ELECTRICAL PERFORMANCE IS NOT AFFECTED BY GREY OR BLACK TARNISH ON THE SILVER PLATING SURFACE. ACCEPTABLE SILVER PIN SURFACES CAN INCLUDE GREY OR BLACK TARNISH.
- 3.4 PROCESS COMPONENTS IN A LOW-SULFUR ENVIRONMENT AND AVOID CONTACT WITH MATERIALS THAT TRANSFER SULFUR TO THE ENVIRONMENT.
- 3.5 COVER ORIENTATION IS NOT CONTROLLED DURING ASSEMBLY, IT MAY BE ROTATED 180 DEGREES FROM WHAT IS SHOWN. THIS IS ACCEPTABLE.
- 3.6 COMMON AUTOMOTIVE GRADE COMPONENTS THAT MEET AEC-Q200 TESTING WILL BE MANAGED BY MOLEX CHANGE CONTROL, AND WILL BE VALIDATED WITH DESIGN USE TO USE MULTIPLE SUPPLIERS AND RUNNING CHANGES WITHOUT NOTIFICATION TO CUSTOMER. COMPONENTS CONSIDERED ACTIVE IN THE DESIGN (FETs, ICs, TRANSCEIVERS, ACCELEROMETERS, PRECISION DIODES) WILL FOLLOW PROTOCOL WITH NOTIFICATION TO THE CUSTOMER.

BOM TABLE			
ITEM #	DESCRIPTION	MATERIAL	PLATING
2.1	HOUSING	PBT GF 30%, COLOR: BLACK	N/A
2.2	COVER	PBT GF 30%, COLOR: BLACK	N/A
2.3	BUSHING	LOW CARBON STEEL	ZINC-NICKEL ALLOY
2.4	PINS	COPPER ALLOY	MATING SIDE TOP LAYER: Ag
2.5	PCB	FR4	N/A

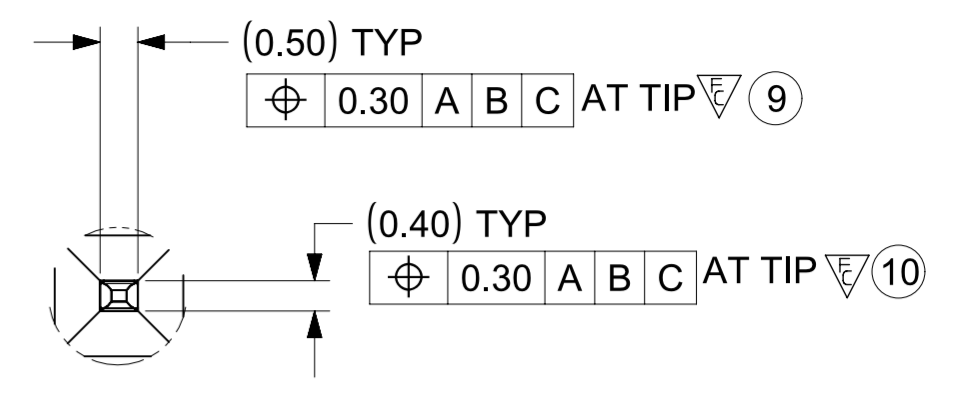
REVISION TABLE			
REVISION	DATE	ECN	DESCRIPTION
1	3/27/2019		INITIAL RELEASE
2	3/13/2020		REVISE NOTES, ADD TABLES
A	7/16/2020	641684	ADD RIBS, CHG HEIGHT
A1	8/13/2020	643356	ADD TOLERANCES
A2	8/21/2020	643835	ADD DIM 9 TO 14
A3	12/14/2020	651292	ADJUST DIM 11 TOL
A4	4/17/2023	CO-000003074	ADD MISSING DATUM TARGETS

INSPECTION BALLOON NUMBER LOG
PER DRAWING REVISION: A3
LAST BALLOON NUMBER USED: 14
ADD BALLOON NUMBERS: 9 TO 14
REMOVED BALLOON NUMBERS:

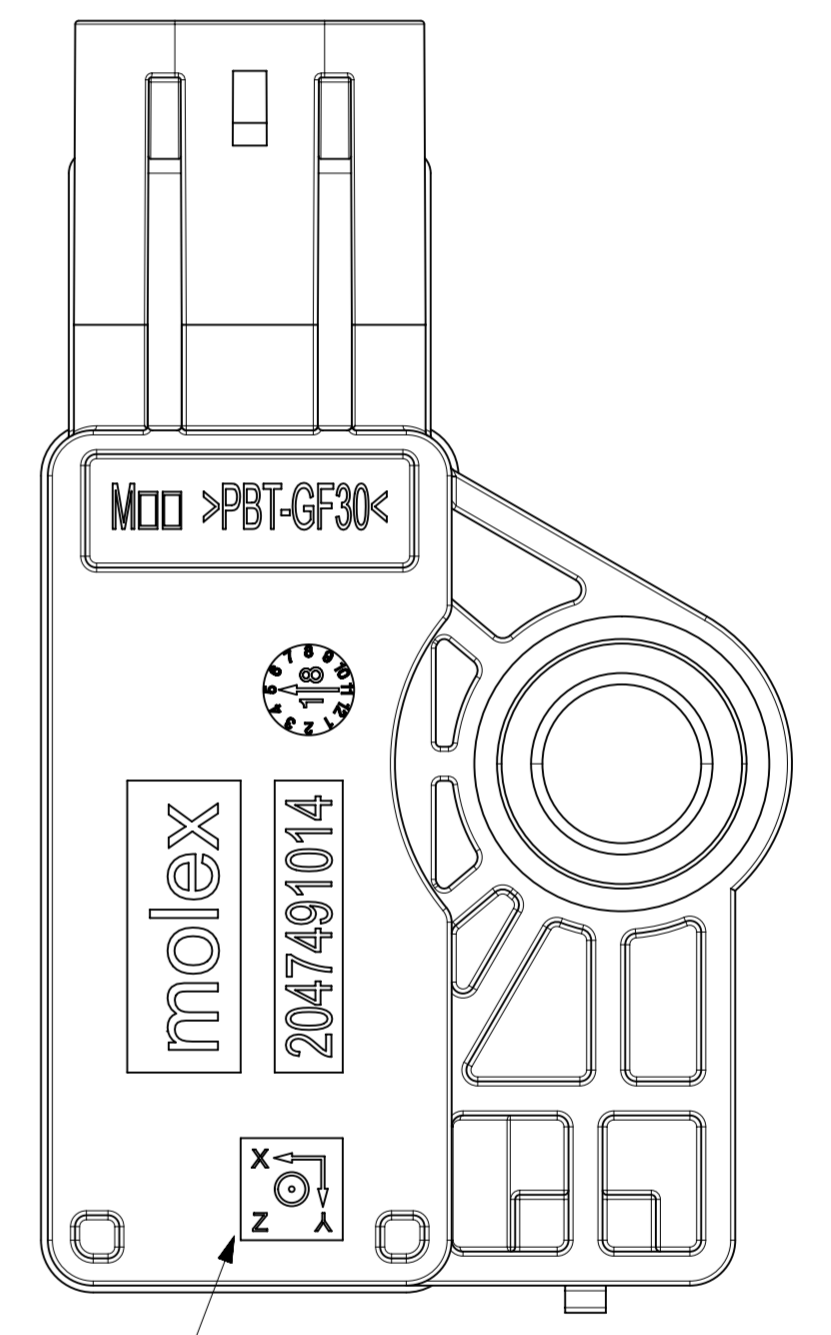
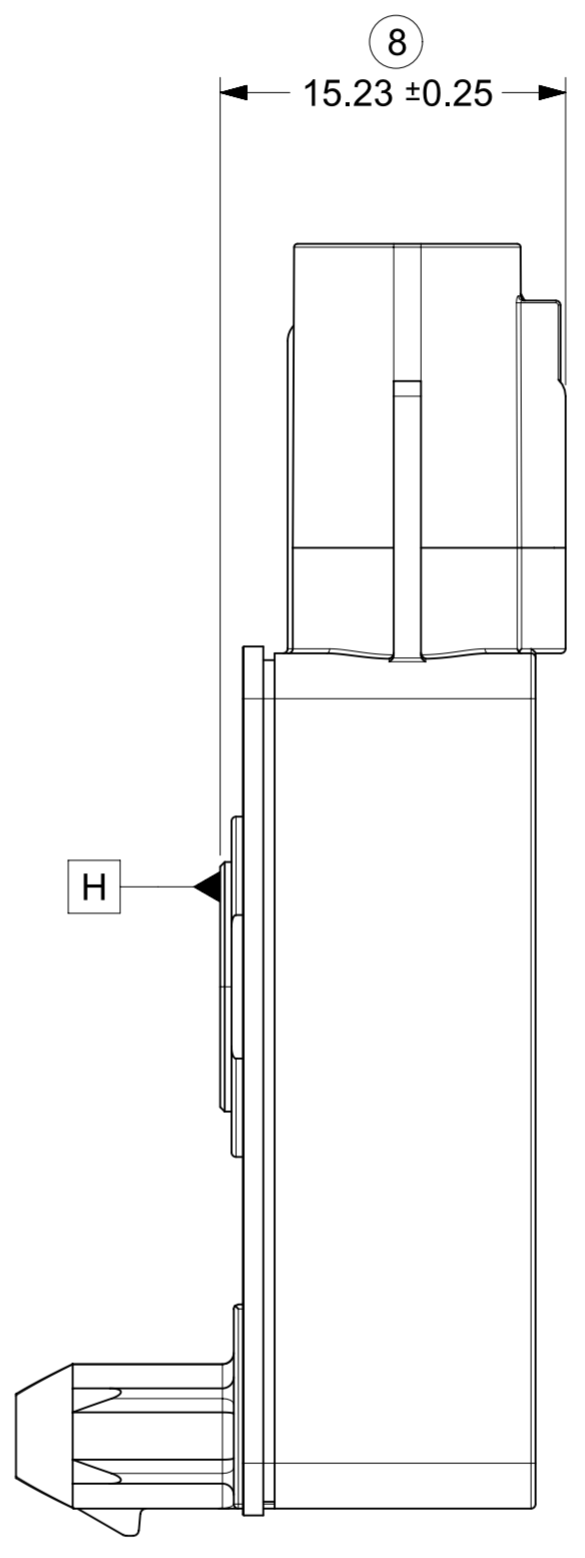
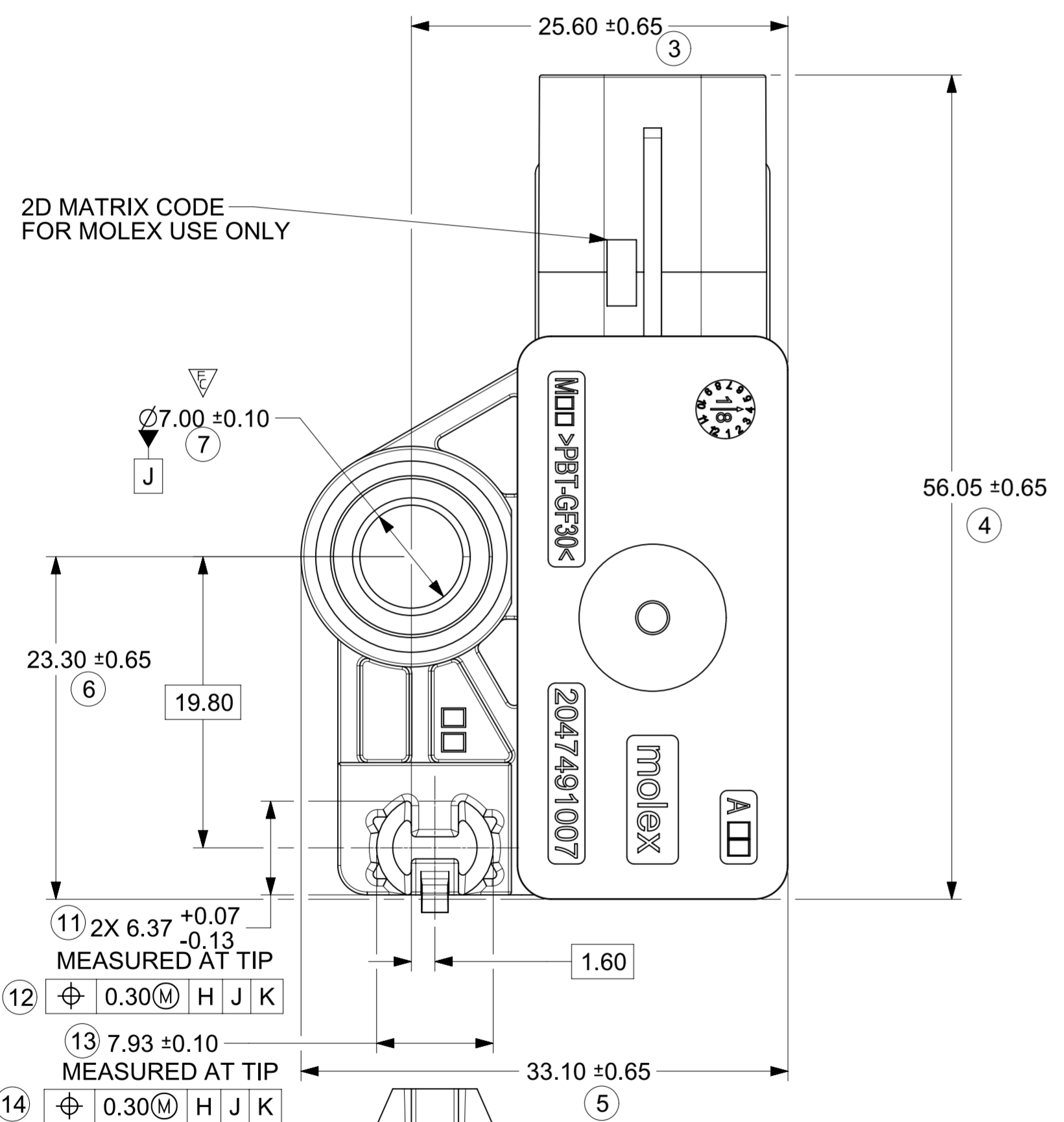
FUNCTIONAL SYMBOLS $\frac{F}{A} = 0$ $\frac{F}{C} = 0$ $\frac{F}{P} = 0$	THIS DRAWING CONTAINS INFORMATION THAT IS PROPRIETARY TO MOLEX ELECTRONIC TECHNOLOGIES, LLC AND SHOULD NOT BE USED WITHOUT WRITTEN PERMISSION	CURRENT REV DESC: SEE REVISION TABLE							
	DIMENSION UNITS: mm	SCALE: 3:1	STATUS: Design Approved						
	GENERAL TOLERANCES (UNLESS SPECIFIED)	DRWN: Thomas Baumert		2023-04-17	DOCUMENT NUMBER		DOC TYPE	DOC PART	REVISION
	ANGULAR TOL ± 0.5°	CHK'D: Thomas Baumert		2023-04-24	2047490013-SD		PSD	000	A4
DIVISIONAL SYMBOLS	4 PLACES ±	APPR: Jeff Bell		2023-04-24	MATERIAL NUMBER		CUSTOMER		SHEET NUMBER
	3 PLACES ±	THIRD ANGLE PROJECTION		DRAWING	SERIES	GENERAL MARKET		1 OF 3	
	2 PLACES ±	DRAFT WHERE APPLICABLE MUST REMAIN WITHIN DIMENSIONS		A2-SIZE	204749				
	1 PLACE ±								
	0 PLACES ±								



SECTION E-E



DETAIL D  
SCALE 10:1



ACCELEROMETER AXIS ORIENTATION  
Z AXIS IS POSITIVE OUT OF SCREEN

DATE CODE, 2D  
MATRIX CODE  
PART NUMBER  
SEE NOTE 3.2

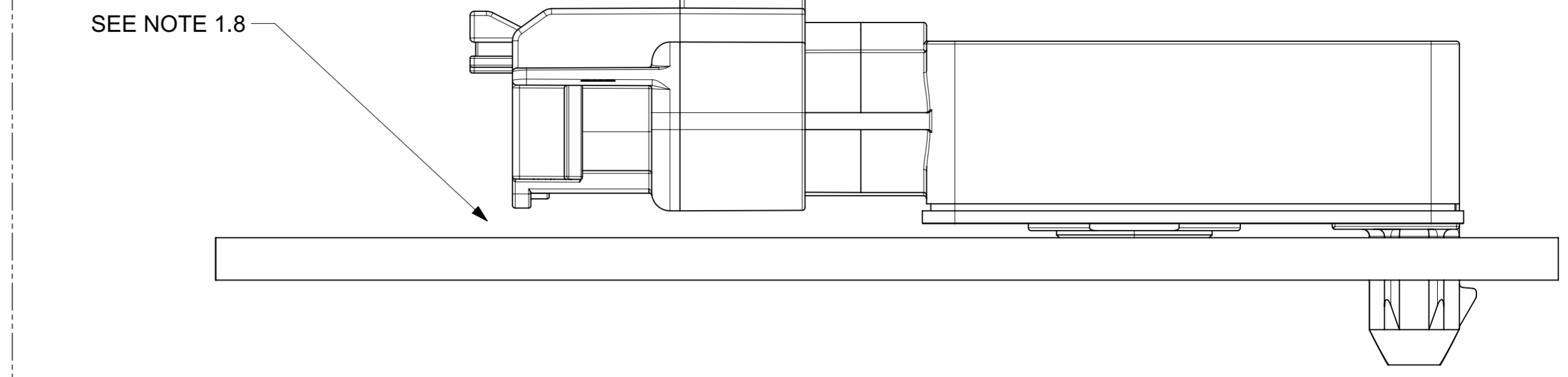
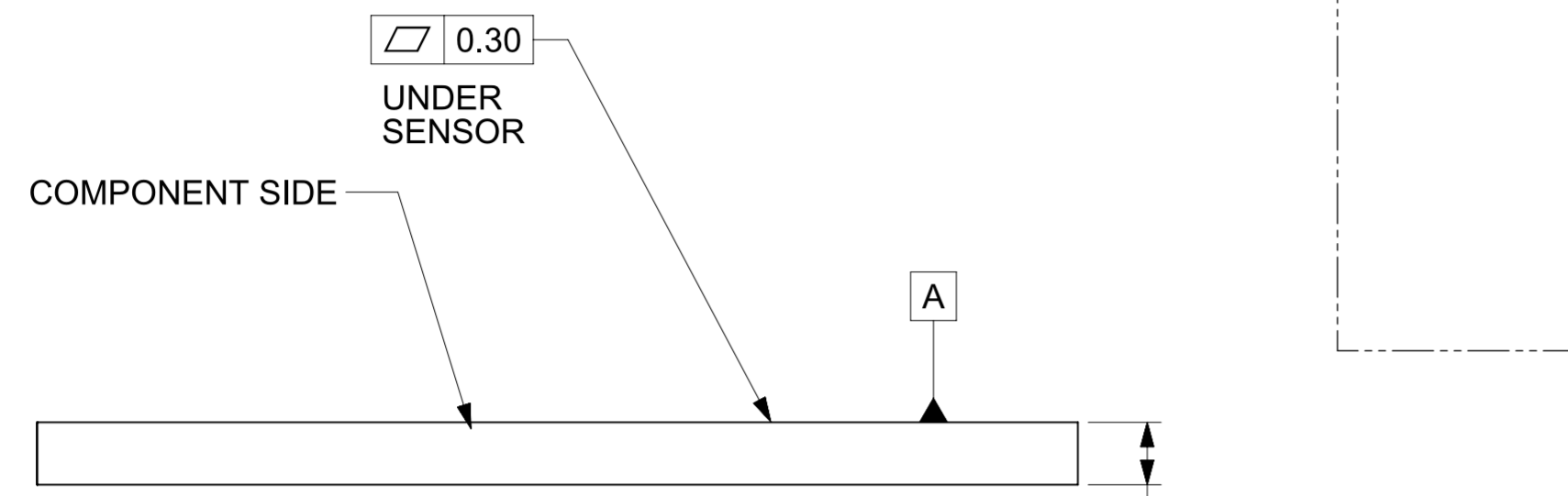
SENSOR PIN CONFIGURATION		
PIN #	NAME	FUNCTION
1	BN	DIFFERENTIAL PAIR GOING TOWARDS NEXT SLAVE. DISCONNECTED ON LAST SLAVE
2	BP	
3	AP	DIFFERENTIAL PAIR GOING TOWARDS MASTER
4	AN	

FUNCTIONAL SYMBOLS	THIS DRAWING CONTAINS INFORMATION THAT IS PROPRIETARY TO MOLEX ELECTRONIC TECHNOLOGIES, LLC AND SHOULD NOT BE USED WITHOUT WRITTEN PERMISSION		
$\sqrt{Ra}$ = 0	DIMENSION UNITS	SCALE	CURRENT REV DESC: SEE REVISION TABLE
$\sqrt{Rz}$ = 5	mm	3:1	
$\sqrt{Rt}$ = 0	GENERAL TOLERANCES (UNLESS SPECIFIED)		
DIVISIONAL SYMBOLS	ANGULAR TOL ± 0.5°		
	4 PLACES	±	
	3 PLACES	±	
	2 PLACES	±	
	1 PLACE	±	
	0 PLACES	±	
DRAFT WHERE APPLICABLE MUST REMAIN WITHIN DIMENSIONS	THIRD ANGLE PROJECTION	DRAWING	SERIES
		A2-SIZE	204749
		STATUS: Design Approved	2023-04-17
		DRWN: Thomas Baumert	2023-04-24
		CHK'D: Thomas Baumert	2023-04-24
		APPR: Jeff Bell	2023-04-24
	MATERIAL NUMBER	CUSTOMER	SHEET NUMBER
	2047490013	GENERAL MARKET	2 OF 3
	DOCUMENT NUMBER	DOC TYPE	DOC PART
	2047490013-SD	PSD	000
	REVISION		
	A4		

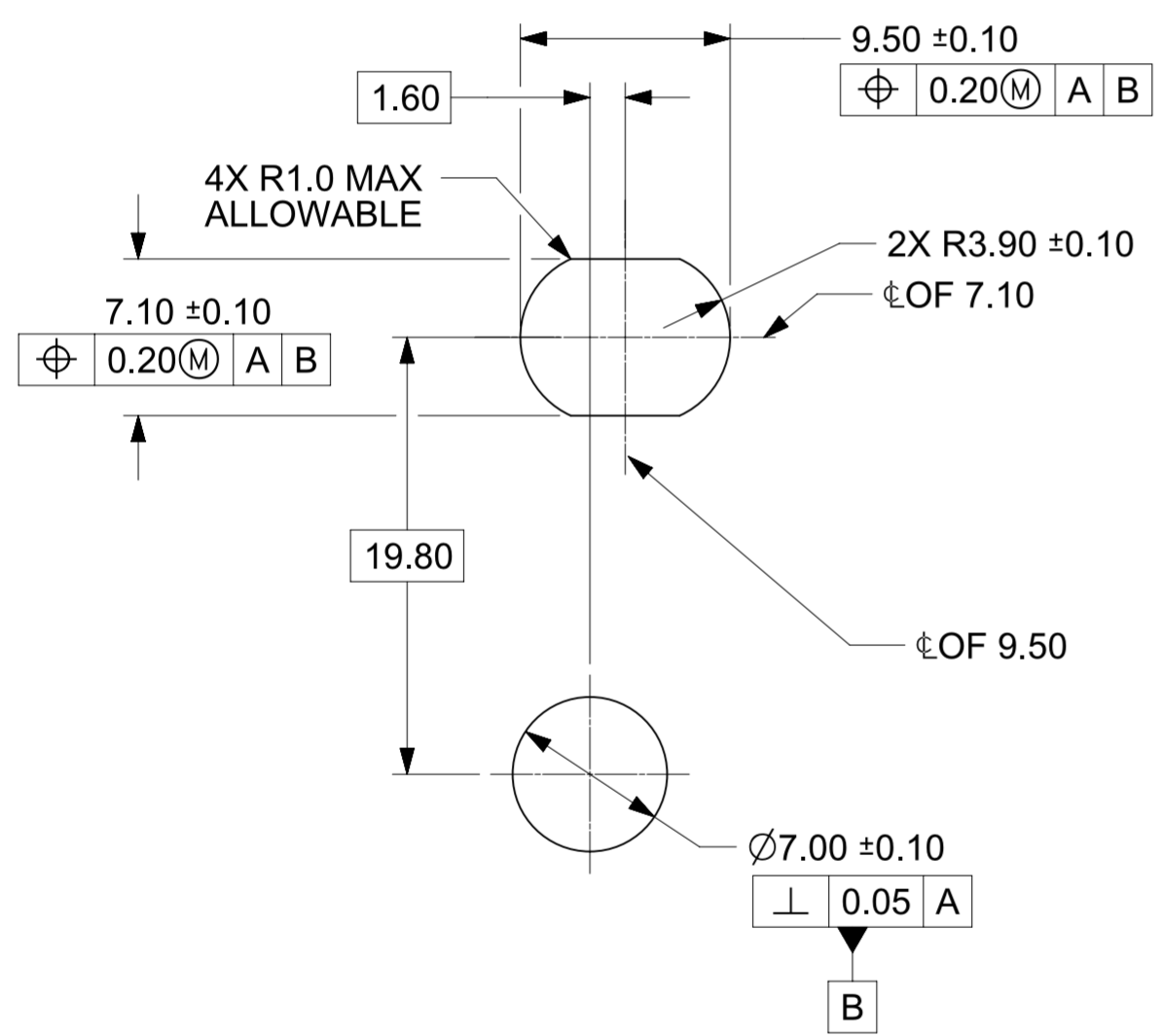
**molex**

RNC ELECTRONIC SENSOR ASSEMBLY

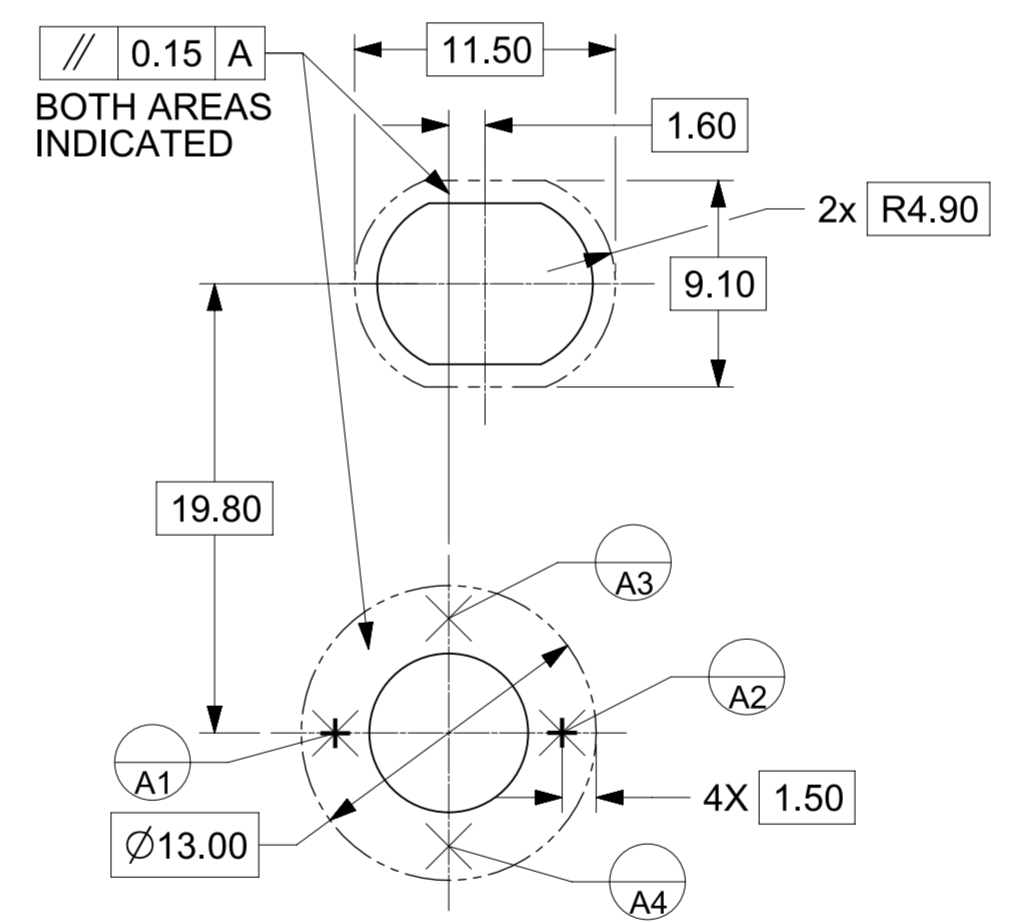
PRODUCT SALES DRAWING



3.00 MAX  
FOR RETENTION TAB  
TO FUNCTION



PANEL CUTOUT FOR BOLT AND NUT MOUNT  
VIEWED FROM COMPONENT SIDE



FLATNESS CONTROLLED AREA  
VIEWED FROM COMPONENT SIDE

<p>FUNCTIONAL SYMBOLS</p> <p><math>\frac{F}{A} = 0</math></p> <p><math>\frac{F}{C} = 0</math></p> <p><math>\frac{F}{P} = 0</math></p> <p>DIVISIONAL SYMBOLS</p>	THIS DRAWING CONTAINS INFORMATION THAT IS PROPRIETARY TO MOLEX ELECTRONIC TECHNOLOGIES, LLC AND SHOULD NOT BE USED WITHOUT WRITTEN PERMISSION														
	DIMENSION UNITS		SCALE		CURRENT REV DESC: SEE REVISION TABLE										
	mm		3:1												
	GENERAL TOLERANCES (UNLESS SPECIFIED)										<p>STATUS: Design Approved</p> <p>DRWN: Thomas Baumert</p> <p>CHK'D: Thomas Baumert</p> <p>APPR: Jeff Bell</p>				
	ANGULAR TOL ± 0.5°														
4 PLACES ±															
3 PLACES ±															
2 PLACES ±										2023-04-17		2023-04-24		2023-04-24	
1 PLACE ±										2023-04-17		2023-04-24		2023-04-24	
0 PLACES ±										2023-04-17		2023-04-24		2023-04-24	
DRAFT WHERE APPLICABLE MUST REMAIN WITHIN DIMENSIONS				THIRD ANGLE PROJECTION		DRAWING		SERIES		MATERIAL NUMBER		CUSTOMER		SHEET NUMBER	
						A2-SIZE		204749		2047490013		GENERAL MARKET		3 OF 3	

<p><b>molex</b></p>							
				RNC ELECTRONIC SENSOR ASSEMBLY			
PRODUCT SALES DRAWING							
DOCUMENT NUMBER		DOC TYPE		DOC PART		REVISION	
2047490013-SD		PSD		000		A4	