



Active cooling module

DC axial fan + heat sink

XICATO



Highlights:

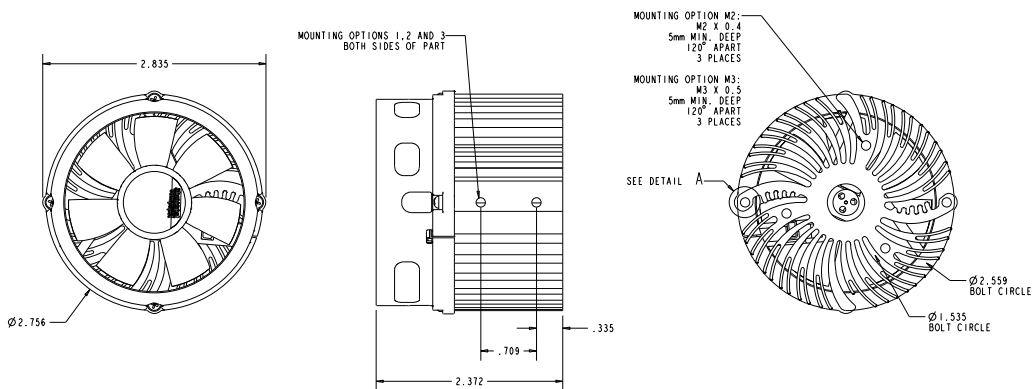
- Active cooling solution for Xicato light engines
- Xicato XSM light engines
- Industry leading lifetime
- Silent fan operation 7dBA
- Increased lumen output capability
- Commonly used in architectural, pendant, track, spot and downlight applications
- Highly efficient .18 Watt
- Thermal power dissipation up to 40 Watts

Nominal Data	Nominal voltage	Acoustic noise	Thermal power dissipation capability*	Fan speed	Total mass	Power input	Lifetime (at 20°C)	Lifetime (at 20°C)	Lifetime (at 40°C)	Lifetime (at 40°C)
Type	VDC	dB(A)	Watts	RPM	G	Watts	hours	years	hours	years
PG1W-12-60-M3BN	12	7	38	1800	147	0.18	197,500	22.5	87,500	10

Note: Voltages are based on the 612F base fan model. Other voltages available upon request. Life expectancy L_{10} per IPC 9591.
*Application dependant.

Technical Drawing

Dimensions shown in inches



MOUNTING OPTION	THREAD	THREAD DEPTH
NONE	NONE	NONE
1	M2 X 0.4	5mm MIN.
2	M3 X 0.5	5mm MIN.
3	#6-32 UNC	0.2" MIN.
4	M3 X 0.5	5mm MIN.
5	OPTION 1 & 4	
6	OPTION 2 & 4	
7	OPTION 3 & 4	