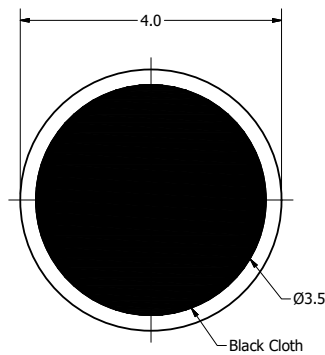
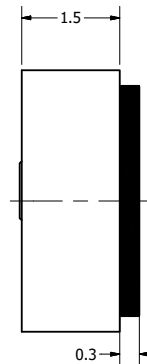


Part Number:	MN044402-1	
	DRAWN	4/25/2017
	CHECKED	4/28/2017
Description:	ANALOG MEMS MICROPHONE	APPROVED
	Analog MEMS Microphone	C.E.
This document contains data proprietary to DB Unlimited. Any use or reproduction, in any form, without prior written permission of DB Unlimited is prohibited. All terms and conditions can be found at www.dbunlimitedco.com		

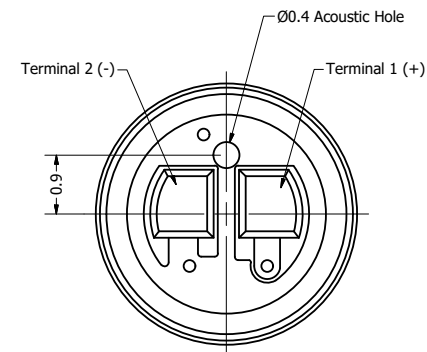
Top View



Side View



Bottom View



Items	Specifications	Conditions
Directivity	Noise Cancelling	
Sensitivity	-44 ± 4	dB
Frequency Range	40 ~ 20,000	Hz
Rated Voltage	2	V
Voltage Range	1.7 ~ 5	V
Output Impedance	2,200	Ω
Max. Rated Current	0.45	mA
Storage Temperature	-40 ~ +85	°C
Operating Temperature	-40 ~ +85	°C
Signal to Noise Ratio	>55	dB
Mount Type	Flush Mount	
Connection Method	Solder Pads	

REVISION HISTORY

REV	DESCRIPTION	DATE	APPROVED
1	Released from Engineering Updated to new template	10/21/2013 4/28/2017	J.S. C.E.

NOTES

- 1) All dimensions are in mm unless otherwise noted
- 2) All tolerances are ± 0.1 mm unless otherwise noted
- 3) All parts meet RoHS
- 4) Subject to change or redrawn without notice