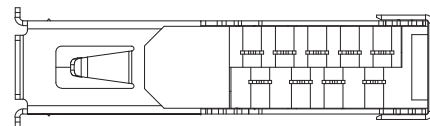
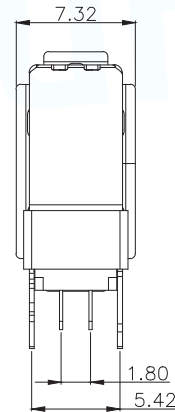
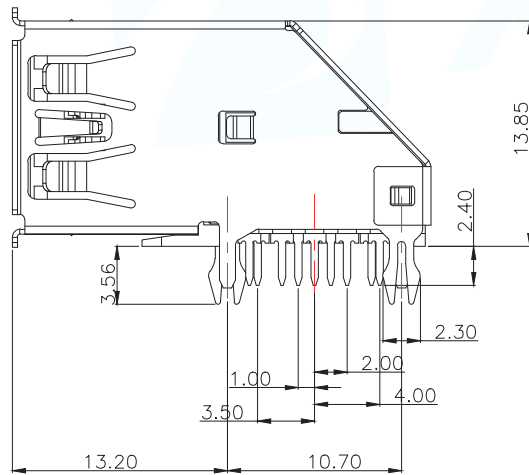
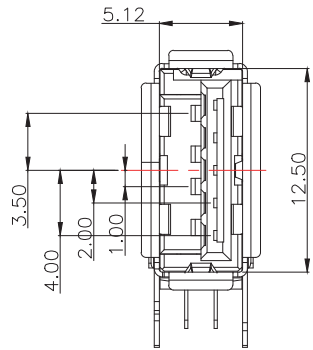
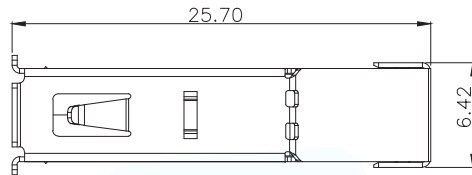
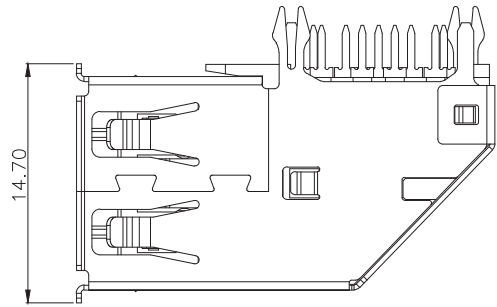


A
B
C
D
E
F
G
H
I
J



SPECIFICATIONS:

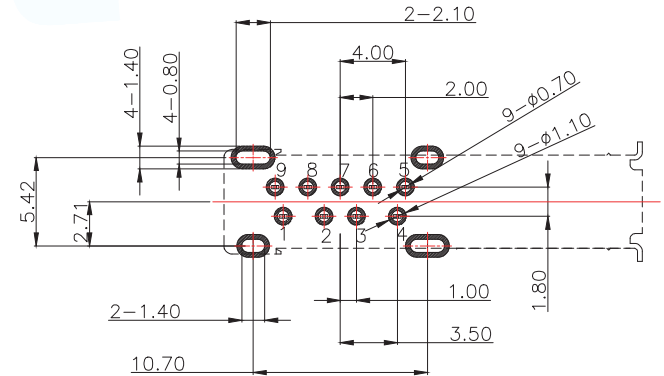
Contact current Rating:
 1.8 Amperes for pin1&pin4.
 0.25 Amperes other contacts
 Dielectric Withstanding Voltage:AC 100V(RMS)
 Insulation resistance:100Megohms Minimum.
 Contact Resistance:
 30mΩ Max for pin1&pin4
 50mΩMax for other contacts
 Mechanical Characteristics:
 Mating Force:35 Newtons.Maximum
 Unmating Force:10 Newtons.Mlimum.
 8N Min After Durability

MATERIAL:

Housing: PBT Blue UL94V-0
 Contact: copper alloy(T=0.20mm)
 Shell: SUS

PLATING:

Contact: Gold Falsh Plated on contact area
 Tin Plated on solder area
 Nickel underplating over all
 Shell: Nickel Plated
 operating Temperature:-55°to+85°

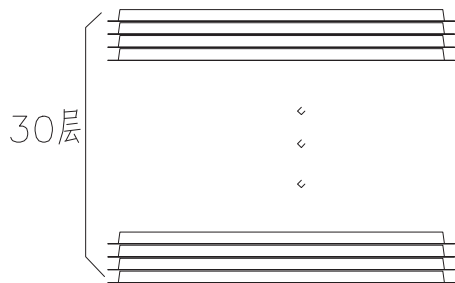
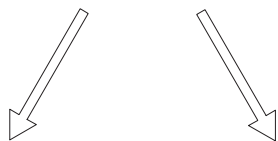
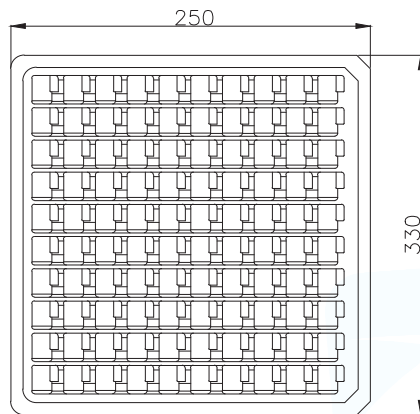
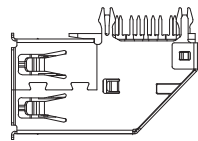


PCB LAYOUT(TOP VIEW)

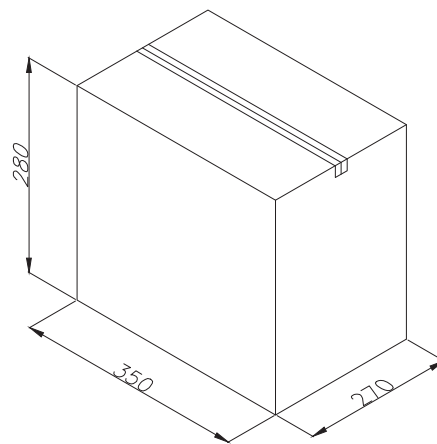
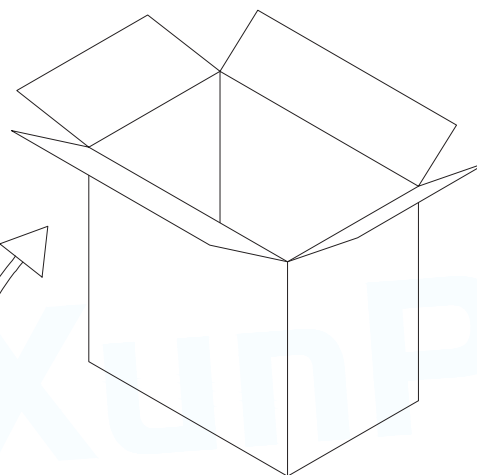
Pin Number	Signal Name	Pin Number	Signal Name
1	VBUS	5	StdA_SSRX-
2	D-	6	StdA_SSRX+
3	D+	7	GND_DRAIN
4	GND	8	StdA_SSTX-
Shell	Shield	9	StdA_SSTX+

MANUFACTURE DWG		东莞市讯普电子科技有限公司 DongGuan XunPu Electronics Co.,Ltd	
UNLESS OTHERWISE SPECIFIED TOLERANCES		TITLE: USB 3.0 AF 侧插90度 卷边	
		PAR	USB-304CD-ARY
DECIMALS:	ANGLES:		DWN
.X:±0.30	.X':±3°		CHKD
.XX:±0.20	.XX':±2°		APVD
.XXX:±0.10		CUSTOMER COPY	SCALE:1:1 UNIT:MM SIZE:A4 SHEET:1F1 REV:A

1 2 3 4 5 6 7 8 9 10 11 12 13 14 15



每箱内放一排30层,共3000PCS产品.



适用以下产品包装:

USB 3.0 AF侧插90度
USB 3.0 AF侧插90度B款 A包装

1. 将全检后的良品如图示摆入规格为330*250mmPVC透明吸塑盒中,每盒包装100PCS,摆好后,盖好上盖,贴上产品QC标签.
2. 将装好产品的吸塑盒分一排放入规格350*270*280mm的纸箱中,每排放30层,每箱装3000PCS
3. 用透明胶封好纸箱,贴上相应标签,并加盖QC PASS章.
4. 客户有特殊要求时按客户要求来进行
5. 月份标签按月份标签粘贴作业规范进行

MANUFACTURE DWG		 东莞市讯普电子科技有限公司 DongGuan XunPu Electronics Co.,Ltd	
UNLESS OTHERWISE SPECIFIED TOLERANCES		TITLE: USB 3.0 AF 侧插90度 卷边 包装	
		PAR	USB-304CD-ARY
		DWN	
		CHKD	
		APVD	
		SCALE:1:1	UNIT:MM
		SIZE:A4	SHEET:1F1
			REV:A



CUSTOMER COPY