



empty enclosure for position switch plastic 50 mm, device connection 2x (M20 x 1.5) with cover, color turquoise and plunger

product designation	empty enclosure EN 50047, plastic, wide, cover turquoise
General technical data	
degree of pollution	class 3
protection class IP	IP66/IP67
shock resistance	
• acc. to IEC 60068-2-27	30g / 11 ms
vibration resistance	
• acc. to IEC 60068-2-6	0.35 mm/5g
material of the enclosure of the switch head	plastic
reference code acc. to IEC 81346-2	U
repeat accuracy	0.05 mm
minimum actuating force in directions of actuation	20 N
length of the sensor	60.7 mm
width of the sensor	50 mm
design of the interface for safety-related communication	without
Enclosure	
design of the housing	block, wide
material of the enclosure	plastic
coating of the enclosure	Other types
design of the housing acc. to standard	No
Drive Head	
design of the actuating element	Rounded plunger, Teflon plunger
standard-compliant actuator head	EN 50047, design B
shape of the switch head	rounded
design of the switching function	Positive opening with appropriate positive opening actuator head and switching element
Connections/ Terminals	
type of connectable conductor cross-sections	
• solid	1x (0.5 ... 1.5 mm ²), 2x (0.5 ... 0.75 mm ²)
• finely stranded with core end processing	1x (0.5 ... 1.5 mm ²), 2x (0.5 ... 0.75 mm ²)
• at AWG cables solid	1x (20 ... 16), 2x (20 ... 18)
• at AWG cables stranded	1x (20 ... 16), 2x (20 ... 18)
cable entry type	2 x (M20 x 1.5)
Communication/ Protocol	
design of the interface	without
Ambient conditions	
explosion protection category for dust	none

Installation/ mounting/ dimensions	
mounting position	any
fastening method	screw fixing

Certificates/ approvals	
General Product Approval	Functional Safety/Safety of Machinery



[Type Examination Certificate](#)

Declaration of Conformity	Test Certificates	other
---------------------------	-------------------	-------



[Miscellaneous](#)

[Type Test Certificates/Test Report](#)

[Confirmation](#)

Further information

Information- and Downloadcenter (Catalogs, Brochures,...)

<https://www.siemens.com/ic10>

Industry Mall (Online ordering system)

<https://mall.industry.siemens.com/mall/en/en/Catalog/product?mlfb=3SE5242-0AC05>

Cax online generator

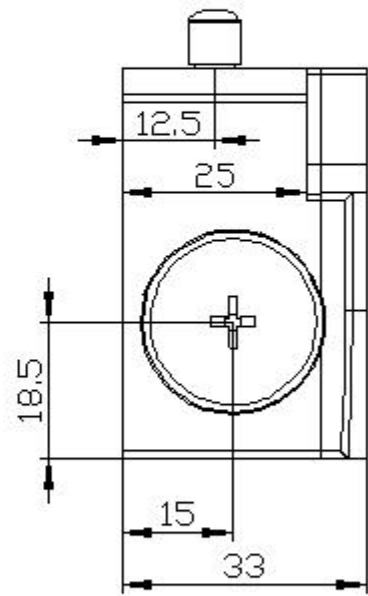
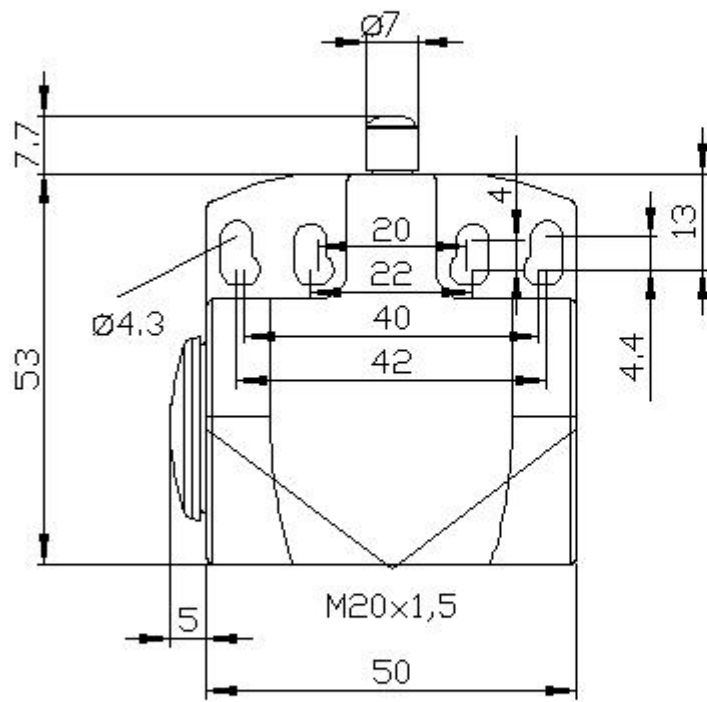
<http://support.automation.siemens.com/WW/CAXorder/default.aspx?lang=en&mlfb=3SE5242-0AC05>

Service&Support (Manuals, Certificates, Characteristics, FAQs,...)

<https://support.industry.siemens.com/cs/ww/en/ps/3SE5242-0AC05>

Image database (product images, 2D dimension drawings, 3D models, device circuit diagrams, EPLAN macros, ...)

http://www.automation.siemens.com/bilddb/cax_de.aspx?mlfb=3SE5242-0AC05&lang=en



last modified:

12/21/2020 