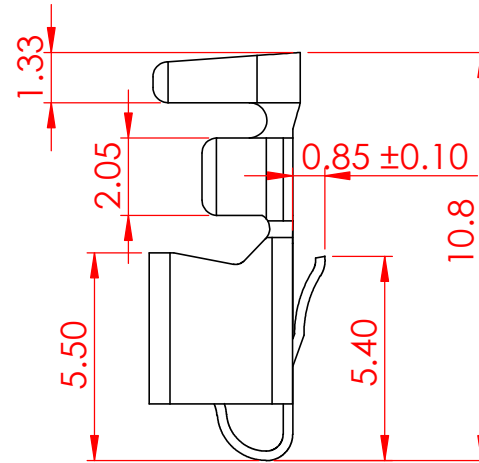
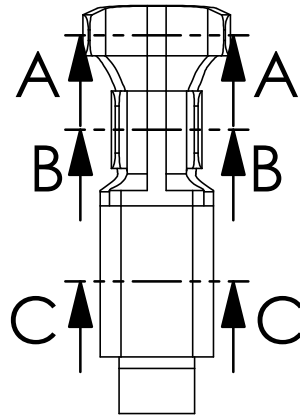


TOLERANCE UNLESS OTHERWISE SPECIFIED	
.X	±0.3
.XX	±0.2
.XXX	±0.1

THIS IS A C.A.D. GENERATED DRAWING
DO NOT MAKE MANUAL REVISIONS TO MASTER.



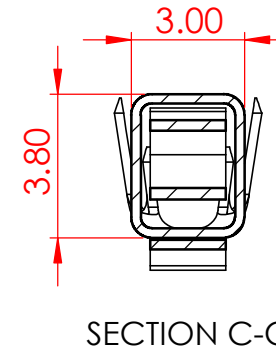
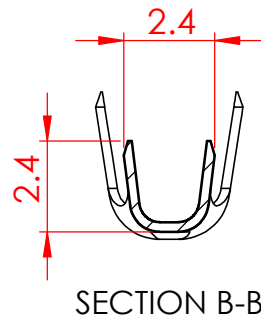
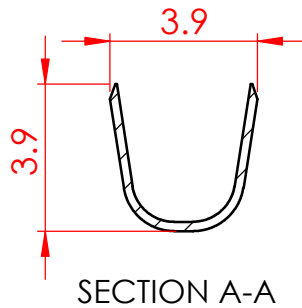
ISSUE NUMBER	
ORIGINAL	①
TEMP RANGE UPDATED V.K. APR. 10,2024	②



SPECIFICATIONS
VOLTAGE RATING: 250V AC/DC
CURRENT RATING: 7A AC/DC
WITHSTANDING VOLTAGE: 1500VAC/MIN
TEMPERATURE RANGE: -40°C TO 105°C
INSULATION RESISTANCE: 1000MΩ MIN
CONTACT RESISTANCE: 10mΩ MAX
INSULATION OD: 2.8MM (MAX)

MATERIAL PHOSPOR BRONZE
PLATING: GOLD FLASH

USE WITH:
HOUSING PART NO. 14L-6XX-210-AA2



THIS SERIES FULLY CONFORMS TO
THE EUROPEAN UNION DIRECTIVES
2011/65/EU FOR RoHS COMPLIANCY.



EDAC INC
TORONTO, ONTARIO
CANADA
YOUR CONNECTION TO QUALITY & SERVICE

THESE DRAWINGS AND SPECIFICATIONS
ARE THE PROPERTY OF EDAC INC., AND
SHALL NOT BE REPRODUCED, OR COPIED
OR USED AS THE BASIS FOR THE
MANUFACTURE OR SALE OF APPARATUS
WITHOUT WRITTEN PERMISSION.

14L SERIES CONTACT, 22-18AWG, GOLD FLASH	ACAD REFERENCE NO.:	14L-292-X82 Contact	UNIT: MM
	DRAWN:	V.K.	DATE: 12/04/23
	CHECKED:	R.S.M	DATE: 12/04/23
	SCALE:	5:1	SHEET 1 OF 1
	DRAWING NUMBER:	14L-292-282	ISSUE
	PART NUMBER:	14L-292-282	2