



**E-NETTR**

**10/100 Base-T Single Port Transformer Module**

**P/N: H1608G**

- \* Designed to meet IEEE802.3ab requirement
- \* Lead-Free & Designed to meet RoHS requirement
- \* Designed to meet IR 255°C peak Requirement.
- \* Operating temperature range: -40°C to +85°C
- \* Storage temperature range: -40°C to +85°C



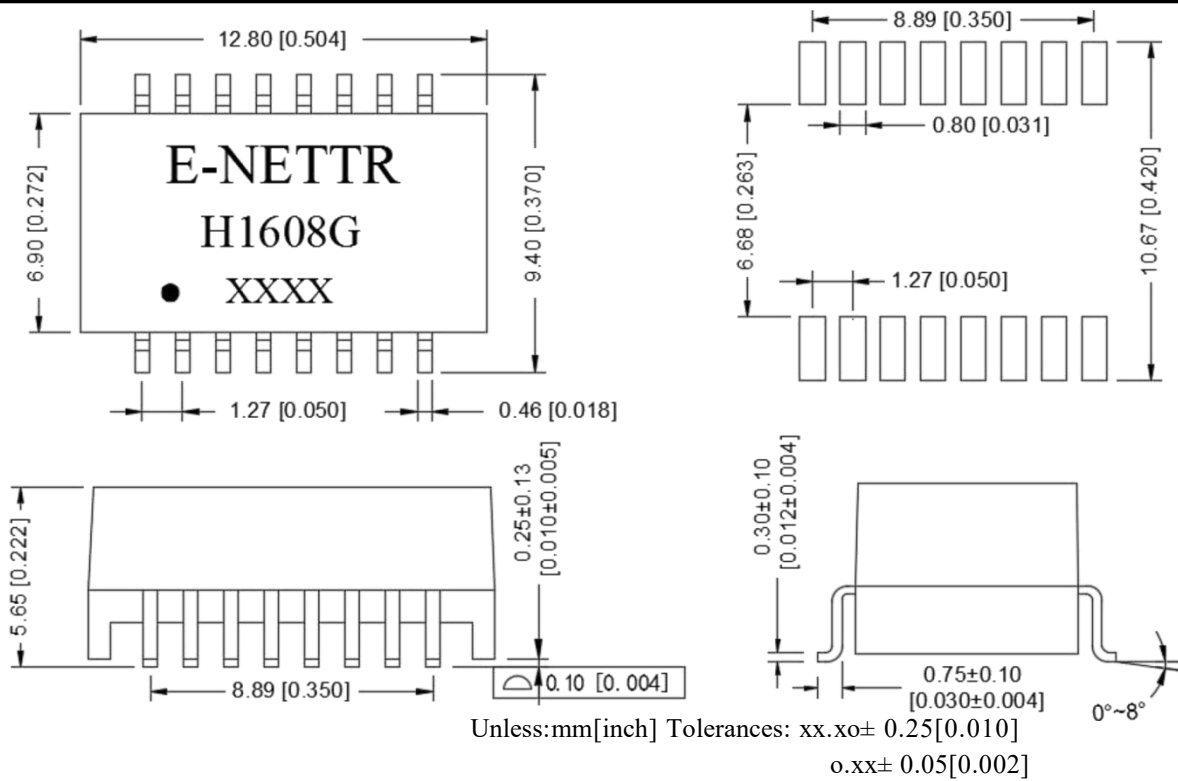
**Electrical Specifications@25 ° C**

Part Number	Turn Ratio (±3%)	OCL(uH Min) @ 100KHz/0.1V with 8mADC Bias	L.L (uH Max)	C <sub>w/w</sub> (pF Max)	DCR (Ω Max)	Hi-Pot (Vrms MIN)
H1608G	1CT:1CT	350	0.5	28	1.1	AC 4300V 1mA

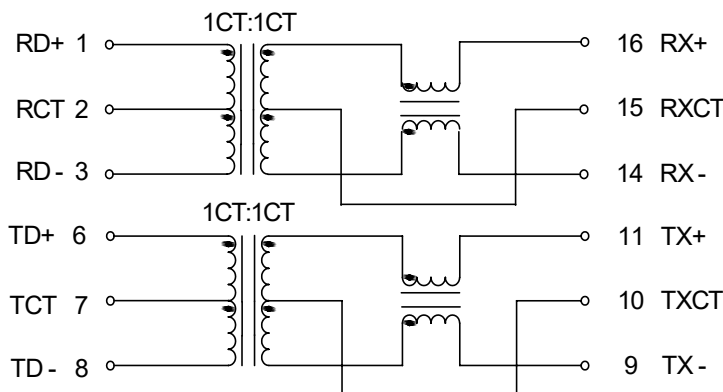
**Continue**

Part Number	Insertion Loss 0.3~100MHZ (dB Max)	Return Loss (dB Min)				Cross Talk (dB Min)		DCMR (dB Min)		
		0.3-30MHz	60MHz	80MHz	100MHz	0.3-60MHz	60-100MHz	0.3-30MHz	60MHz	100MHz
H1608G	-1.1	-18	-14	-12	-10	-42	-35	-40	-35	-30

**Mechanical**



**Schematic**



东莞市祥星电子有限公司

地址: 东莞市石碣镇横滘科技中路第三工业区

Miss Xie: 13549396638

TEL:0769-86384669

FAX:0769-81813600

Http://www.e-nettr.com

[xingguang@e-nettr.com](mailto:xingguang@e-nettr.com)