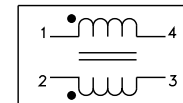
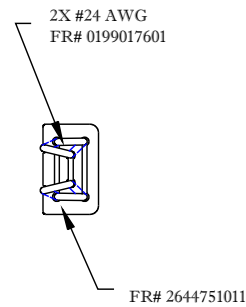
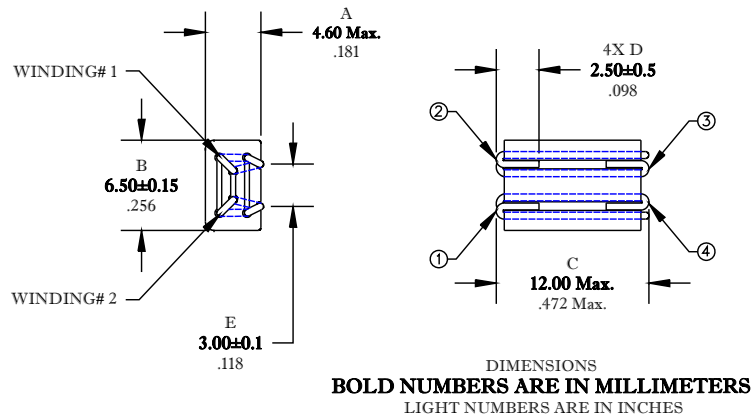


\*\* Not all features are shown in this drawing. For more detailed information, please contact your Fair-Rite representative.

UNCONTROLLED ~CATALOG~ DRAWING

SIZE	PART NO.	REV.
B	2744051447	~



IMPEDANCE VALUES ARE MEASURED BETWEEN TERMINALS 1 AND 4, OR 2 AND 3, USING AN HP4191A ON A 16092A FIXTURE.

Impedance (Ohms)		
25 MHz	100 MHz	300 MHz
80 MIN	184 MIN	220 MIN

NOTES:

- 1 - PARTS MEETS FAIR-RITE PRODUCTS VISUAL INSPECTION CRITERIA FOR SURFACE MOUNT BEADS.
- 2 - PARTS MEET FAIR-RITE PRODUCTS SOP# ELC-27, FOR THERMAL SHOCK RESISTANCE.
- 3 - WIRE MEETS FAIR-RITE PRODUCTS CORP. SOP# ELC-57, FOR SOLDERABILITY.
- 4 - COPLANARITY BETWEEN LEADS: 0.15mm [.006"] Max.
- 5 - PARTS ARE SUPPLIED TAPED AND REELED PER IEC 60286-3 AND EIA 481 STANDARDS.
- 6 - PARTS ARE TO BE 100% TESTED & 100% CERTIFIED FOR BREAKDOWN VOLTAGE BETWEEN CONDUCTORS: 1000 Vdc.

FR# 44

FAIR-RITE PRODUCTS CORP.				
TITLE MULTI-TURN COMMON MODE BEAD				
DRAWN BY D. FOOTE	DATE 9/17/2019	SIZE	PART NO.	REV.
CHKD BY		B	2744051447	~
APPRVD BY		SCALE: NONE	SHEET 1 OF 1	