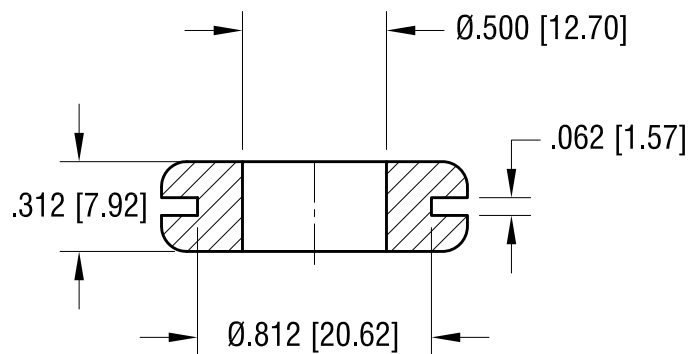
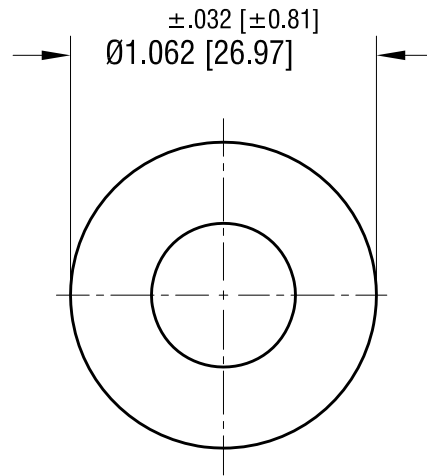
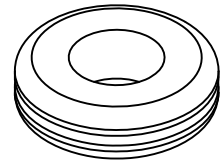


THIS DOCUMENT IS THE PROPERTY OF  
KEYSTONE ELECTRONICS CORP. AND  
SHALL NOT BE REPRODUCED, DISTRIBUTED  
OR USED AS A BASIS FOR MANUFACTURE  
WITHOUT PRIOR WRITTEN PERMISSION  
FROM KEYSTONE ELECTRONICS CORP.

ACTUAL SIZE



**KEYSTONE ELECTRONICS CORP.**

www.keyelco.com • NEW HYDE PARK NY 11040 • Tel (516)328-7500

PART NAME

RUBBER GROMMET

MATERIAL

BUNA 'N'

FINISH

NONE

DRN BY

BOONE

DATE

9.16.96

APP'D

RH

SCALE

1.5X

TOLERANCES

INCH [MM]

DECIMAL  $\pm .020$  [ $\pm 0.50$ ]

CODE

C

ANGULAR  $\pm 1^\circ$   
UNLESS OTHERWISE SPECIFIED

DWG NO.

747

10.13.21	CHANGE AS PER ECN 21-117	B
1.02.08	CHANGE AS PER ECN 08-017	A
DATE	DESCRIPTION	REV.